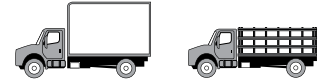


DETAILED DIMENSIONS



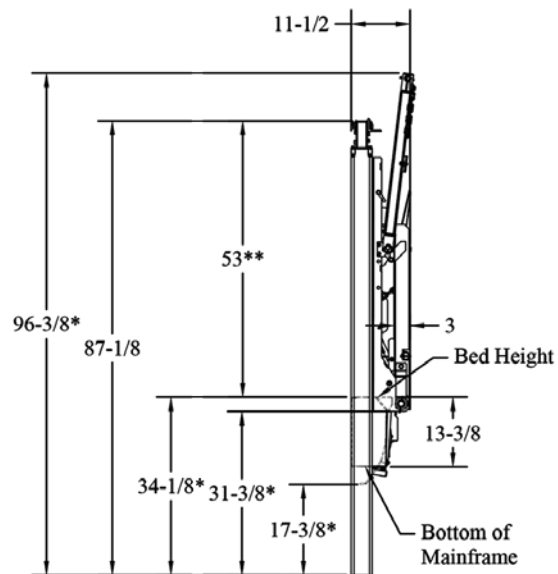
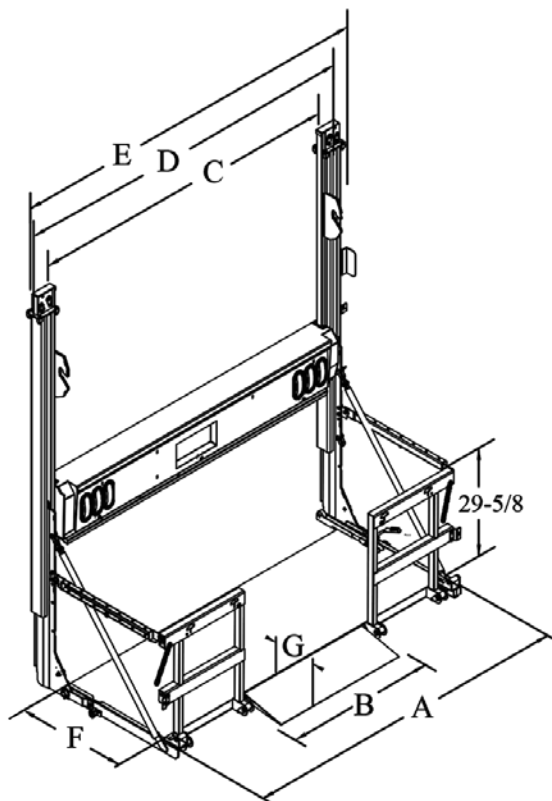
RAILGATE SERIES

HIGH-CYCLE GAS BOTTLE MODELS



							A	B	C	D	E	F	G
	Maximum Truck Bed Height	Minimum Truck Bed Height	Lifting Capacity	Gate Weight	Platform Width	Platform Loading Width	Clear Opening Between Uprights	Gate Width Outside Uprights	Overall Gate Width	Platform Loading Depth	Length of Platform Taper		
89-25 GBR	54	38	2500	1050	89	37	83-3/4	93-3/4	96-7/8	30	12		
95-25 GBR	54	38	2500	1085	95	43	89-3/4	99-3/4	102-7/8	30	12		
89-30 GBR	54	38	3000	1050	89	37	83-3/4	93-3/4	96-7/8	30	12		
95-30 GBR	54	38	3000	1085	95	43	89-3/4	99-3/4	102-7/8	30	12		

NOTE: Minimum bed height range is **laden**. Maximum bed height range is **unladen**.



NOTE:

- Dimensions are in inches unless noted otherwise
 - Marked dimensions will vary for above bed models:
 - * subtract X from these dimensions
 - ** add X to this dimension
- When Bed Height is between 40" and 54", X = (54" minus bed height)
 When Bed Height is 40" or less, X = 14"