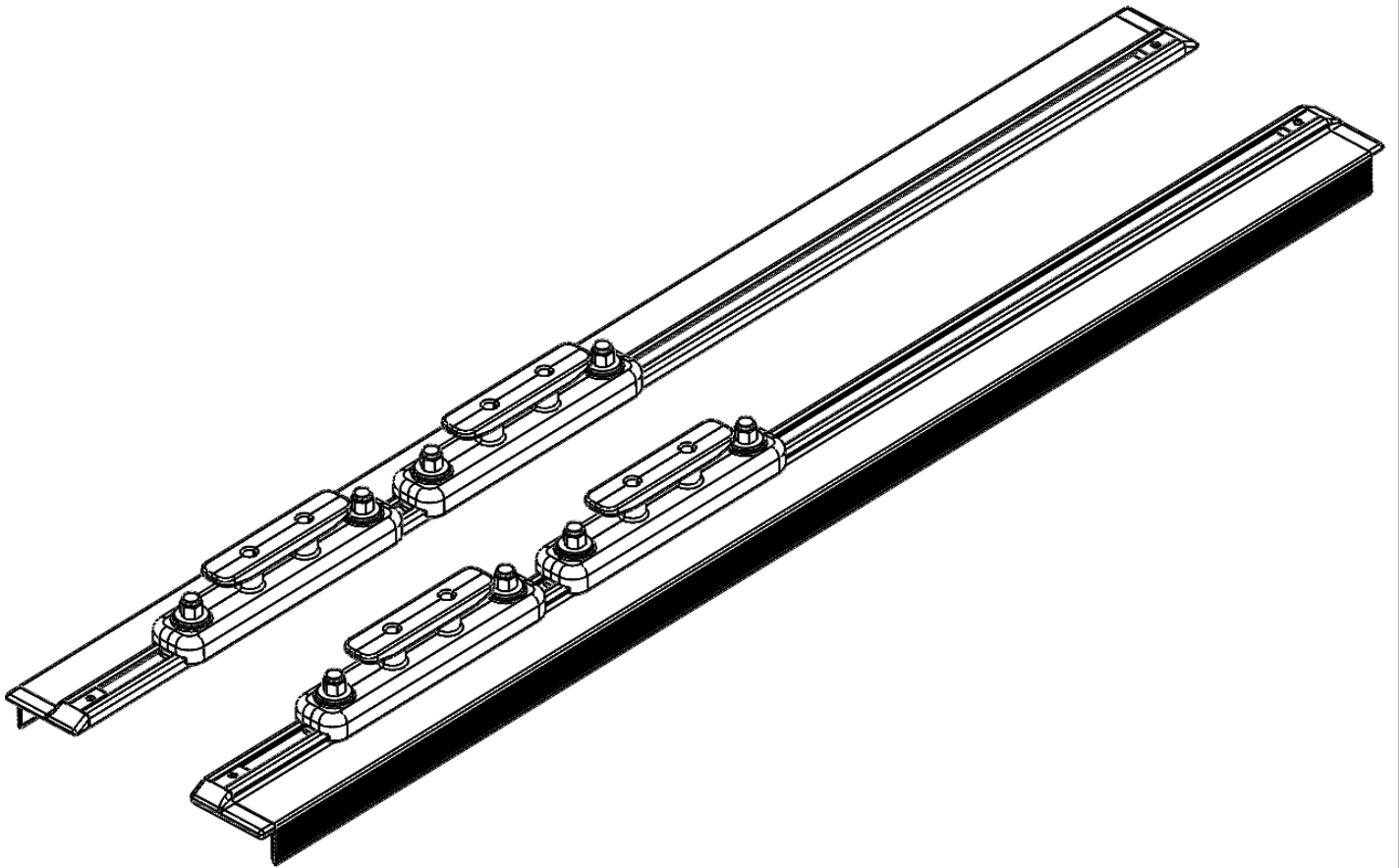


# ELEVATE

RACK SYSTEM

## TS RAILS

### OWNERS MANUAL



Proudly produced by TruXedo in Yankton, SD



P/N 1118346 Rev. A

P.O. Box 1078, 2209 Kellen Gross Dr., Yankton SD 57078

Phone: (1-877-878-9336) Fax: (605) 664-9304

[truck-hero.com/elevate-rack-system](http://truck-hero.com/elevate-rack-system)

## LIMITED LIFETIME WARRANTY

Truck Hero, Inc. warrants that all new, unused products are free from defects in material and workmanship. This Lifetime Limited Warranty is effective if the product is properly installed and used for the purpose intended. It applies to the original buyer only. Truck Hero's obligation under this Warranty is limited to repairing, or at its option, replacing any part that is returned, transportation prepaid, to Truck Hero, Inc., Yankton, South Dakota, if the product is, in our judgment, defective. All materials must be accompanied by an RMA (Returned Material Authorization) number requested by and authorized in advance of returning the materials. Truck Hero, Inc. shall not be liable or responsible to supply or pay labor to replace any part found defective, nor shall it be liable for any damages of any kind or nature to person, product, or property.

There are no Warranties for used products or products that have been repaired, altered, modified, subjected to misuse, negligence, accident or ordinary wear and tear. Warranty registration must be on file and/or proof of original purchase (detailed and dated receipt) required for warranty to be valid. For warranty registration, see form at the bottom right of this page.

**Truck Hero, Inc. products are sold without any express warranty except as set forth above. Truck Hero, Inc. is not obligated to honor warranty claims if Genuine Truck Hero, Inc. parts are not utilized.**

### SAFETY INSTRUCTIONS

1. Elevate TS Rails work with most inside mount truck bed covers. Visit [truck-hero.com/elevate-rack-system](http://truck-hero.com/elevate-rack-system) and reference the truck bed cover compatibility chart for more info.
2. All mounting fasteners must be securely tightened before operation.
3. Elevate TS Rails do NOT increase the load rating of the vehicle.

### OWNER/USER RESPONSIBILITIES

It is the responsibility of the owner/user to read this manual and comply with the operating procedures. The owner/user is also responsible for inspecting the Elevate TS Rails, and for having parts repaired or replaced when worn or damaged.

Failure to follow safety instructions and warning labels could result in failure of your Elevate TS Rails and/or personal injury.

### MESSAGES TO INSTALLER

- Always wear safety glasses and/or other necessary protective equipment when installing your Elevate TS Rails.
- These instructions are complete for most pickup models. Additional instructions are included, if required for your truck. Please read entire manual before installing your Elevate TS Rails.

### TOOLS REQUIRED

1/2" Socket or wrench & 1/8" allen key.

### MAINTENANCE

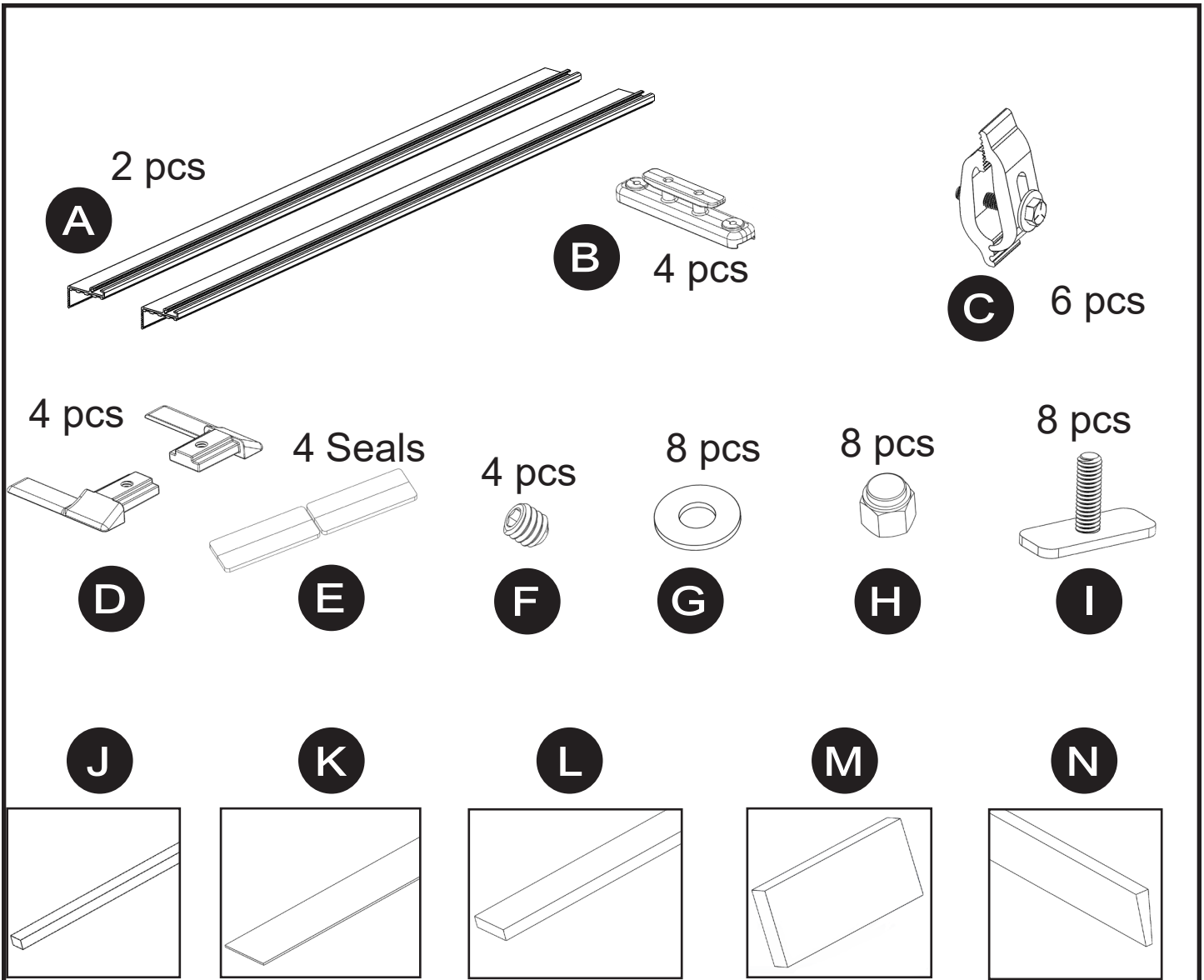
Elevate TS Rails can be hand washed with soap and water.

### Elevate TS Rail LOAD RATING

Rail System is rated for 750 lbs on-road, and 250 lbs off-road

**Warranty registration must be on file and/or proof of original purchase (detailed and dated receipt) required for warranty to be effective.**

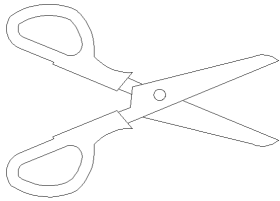
**Register online at [truck-hero.com/elevate-rack-system](http://truck-hero.com/elevate-rack-system)**



Part	Description	QTY.
A	1706403, 1706397, 1706383, 1706384, 1706385 - Elevate TS Rails	2
B	1706104 - Tie Down	4
C	1705391 - AL Clamp Assy	1
D	1706048, 1706050 - End Plug Rail LH & RH	2
E	1706271 - Seal Rail End Plugs	1
F	1706223 - Set Screw 1/4-20 X 1/4	4
G	1706224 - Flat Washer 5/16 SAE	8
H	1706222 - Cap Nut 5/16-18	8
I	1706054 - Retainer Bar Short	8
J	1706237 - Seal 3/16" X 5/16" X 17'	1
K	1706243 - Seal 1/32" X 1" X 2'	1
L	1704458 - Seal 1/4" X 1" X 2'	1
M	1117096 - Shims	8
N	1114731 - Wedge Seal 17'	1

**TOOLS THAT YOU WILL NEED**

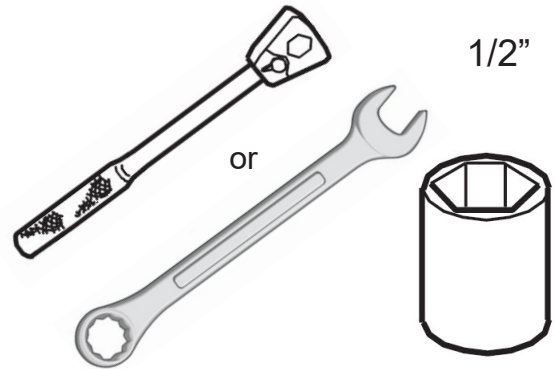
Scissors



1/8" Allen Key



1/2"

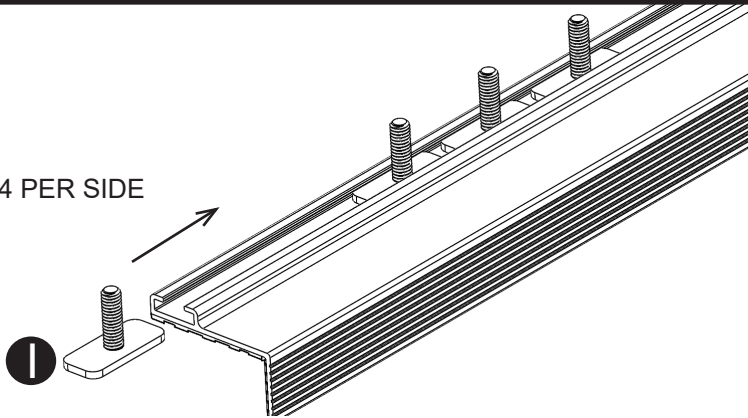


or

**1**

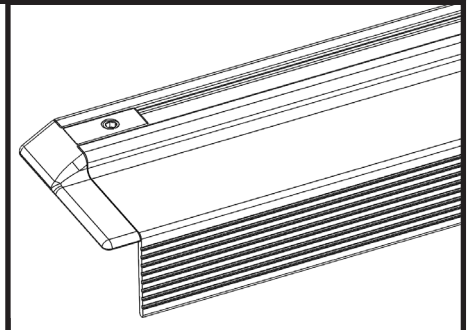
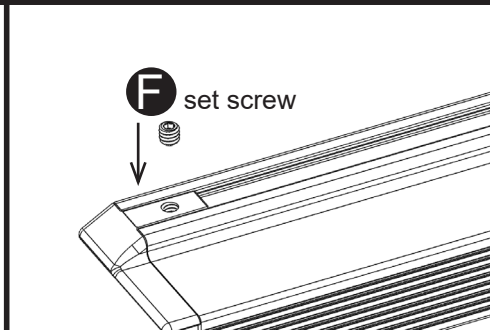
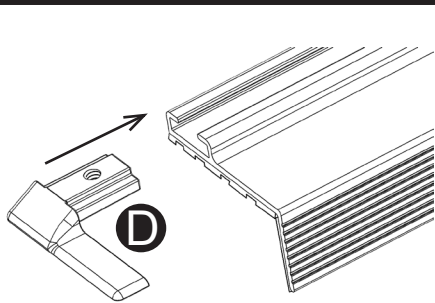
**IF CHOOSING TO INSTALL TIE DOWNS, ADDITIONAL ACCESSORIES OR RACK SYSTEM, INSTALL RETAINER BAR (SHORT) INTO RAIL BEFORE MOVING ON TO STEP 2.**

4 PER SIDE



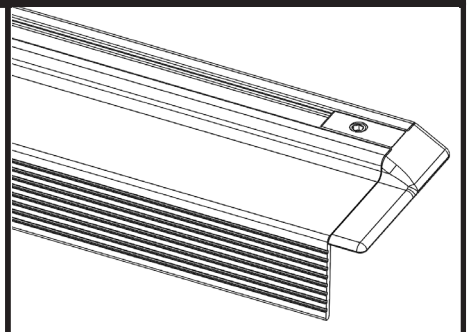
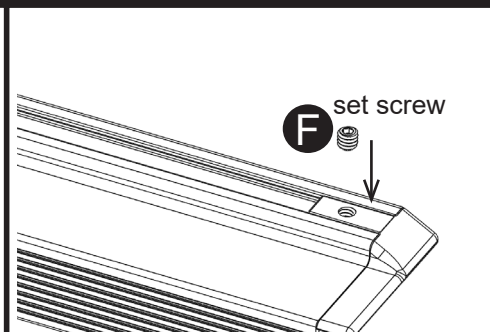
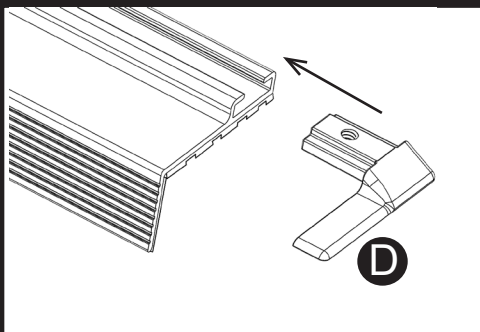
**2**

**INSTALL FRONT ENDPLUGS. DO NOT OVER TIGHTEN SET SCREWS.**

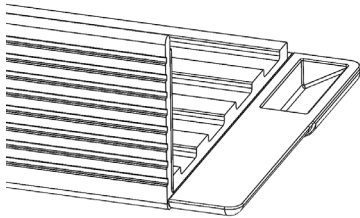


**3**

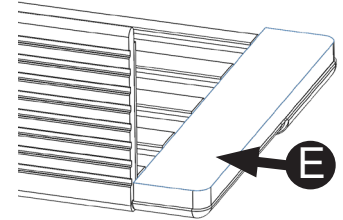
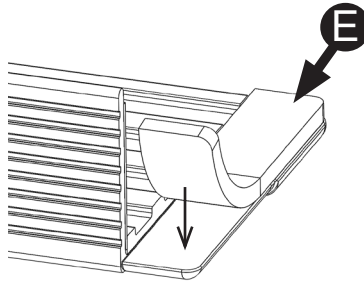
**INSTALL REAR ENDPLUGS. DO NOT OVER TIGHTEN SET SCREWS.**



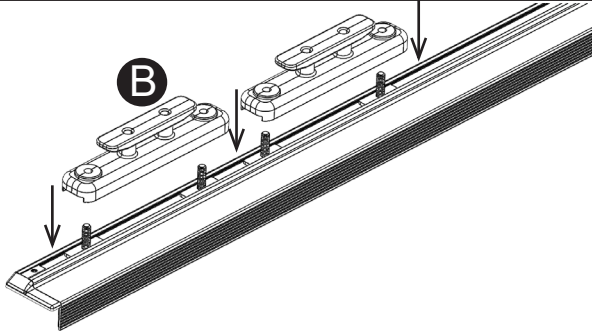
## 4 INSTALL SEALS TO THE BOTTOM SIDE OF ALL 4 RAIL ENDPLUGS



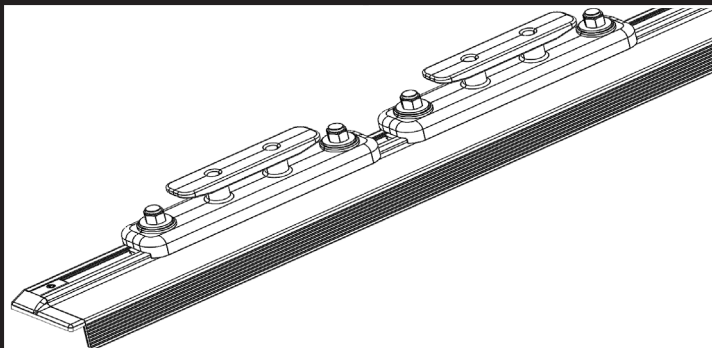
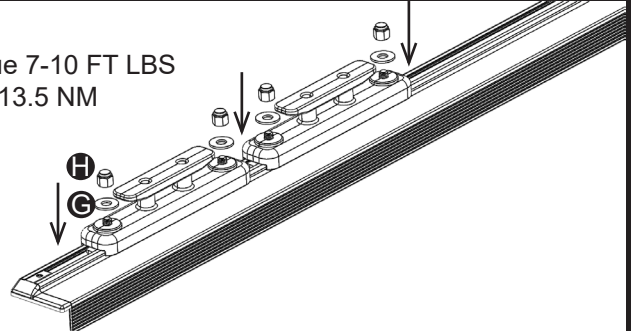
BOTTOM VIEW



## 5 TO COMPLETE INSTALLATION OF TIE DOWNS (OPTIONAL)



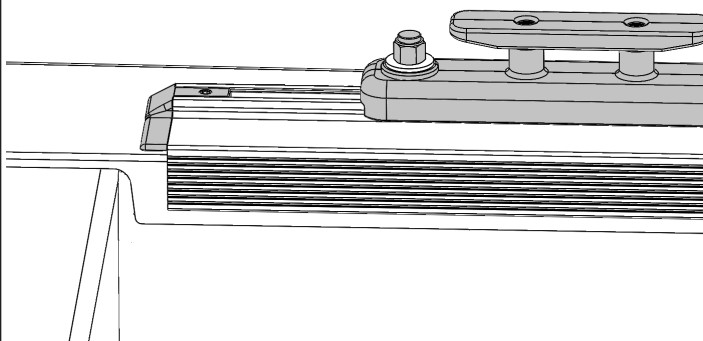
Torque 7-10 FT LBS  
10.5-13.5 NM



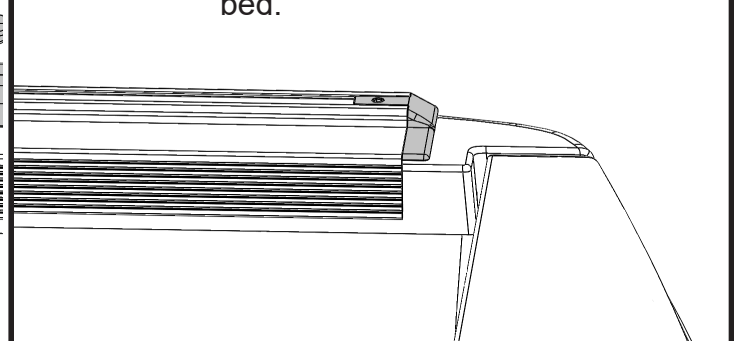
## 6 POSITION ELEVATE TS RAILS ONTO PICKUP BED

Center Elevate TS Rails from front to back on the truck bed

Front of the truck bed.

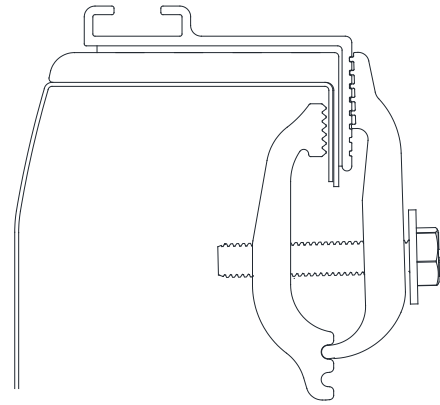
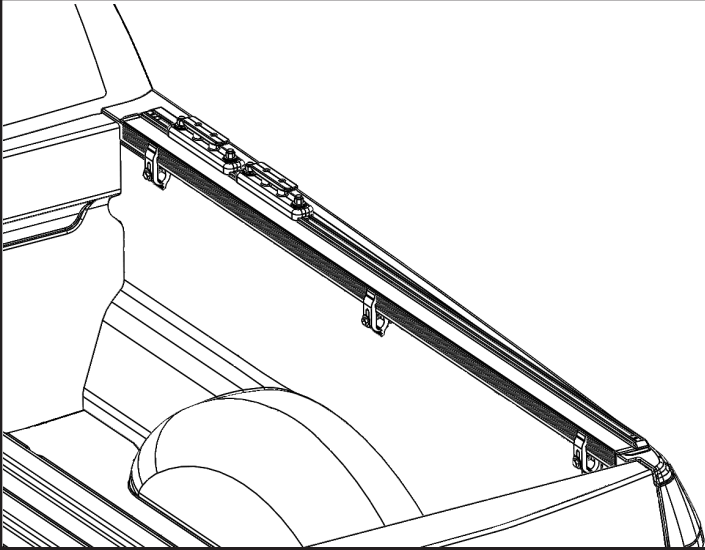


Rear of the truck bed.

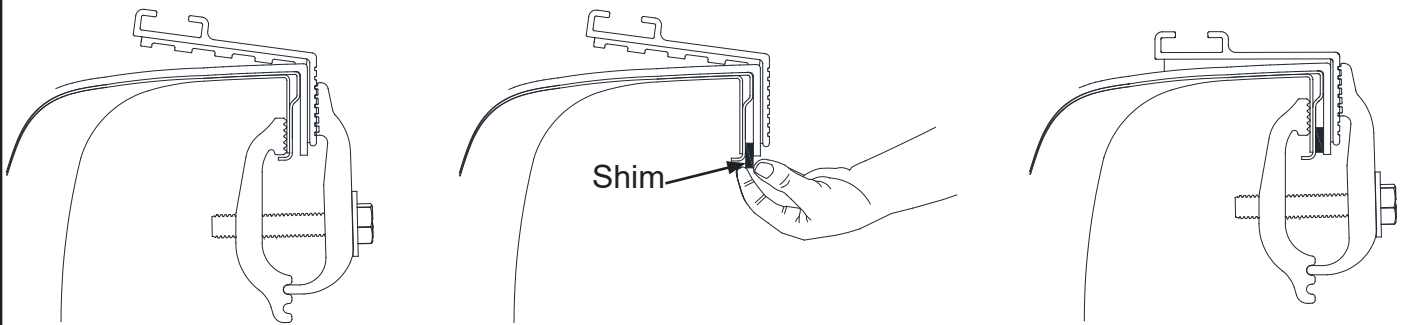


If you are not installing a truck bed cover with your Elevate TS rails, install clamps to finish mounting your Elevate TS Rails to the truck bed.

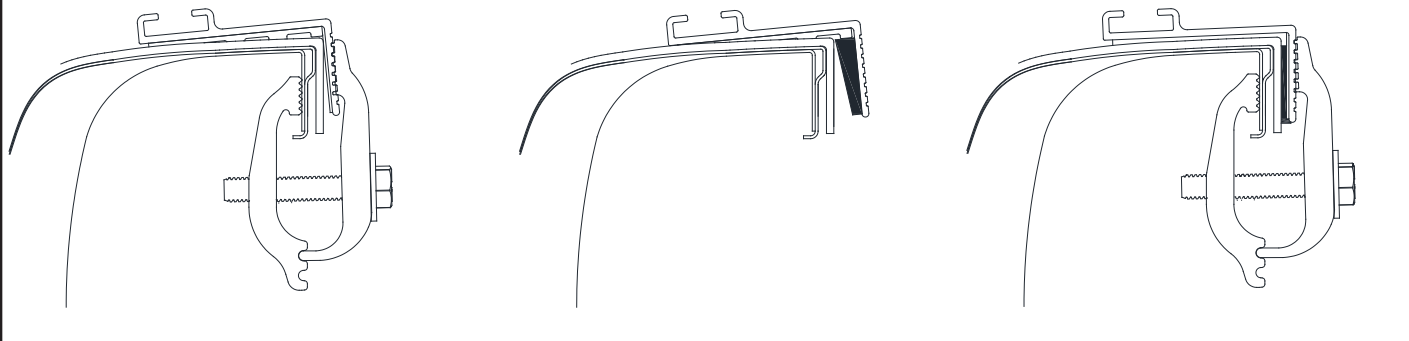
Proper rail placement



If your Elevate TS rails tip up after installation, make sure your clamp is up as high as possible; if they are, locate the shims included in the kit and evenly install them on both rails. When adjusting the tip of your TS rails

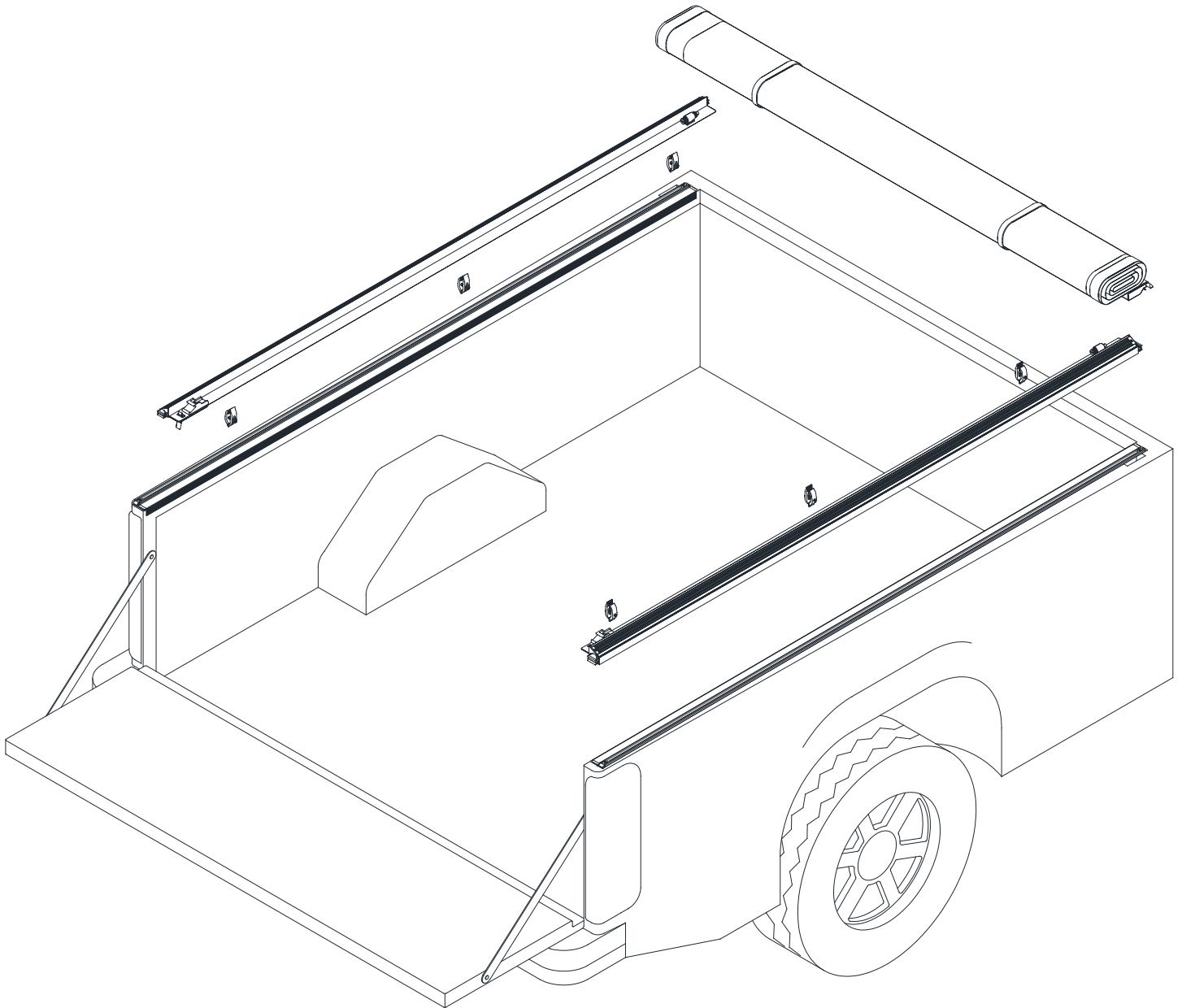


If your Elevate TS rails tip down after installation, locate the Wedge Seal included in the kit and install it onto the thin seal that is on the back of the Elevate TS rail.



OR

If you are combining a truck bed cover with Elevate TS Rails.  
Proceed to the next steps for truck bed cover installation prep.



Instructions to assist with install of truck bed cover in conjunction with accessory rails.

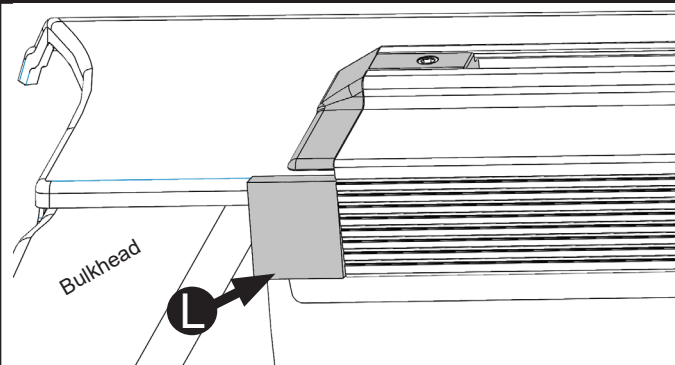
**1 REMOVE WEATHER SEAL FROM YOUR TRUCK BED COVER RAILS AND REPLACE USING THIN SEAL PROVIDED.**



**2A INSTALL A PIECE OF SEAL ITEM, L INCLUDED IN THE KIT TO THE TOP OF TRUCK BED RAILS.**

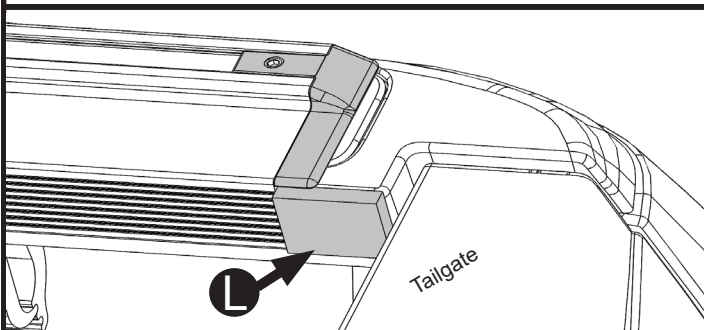
Before mounting your truck bed cover in conjunction with the accessory rail system, you will need to use some of the seal provided to fill in gaps where needed.

Front of the truck bed.



Lay the seal starting at the edge of the accessory rail. Trim the seal flush with the truck's bulkhead. LENGTH OF THIS SEAL WILL VARY WITH MODEL OF TRUCK. When installed correctly the seal will lay flat and not wrap around the corner.

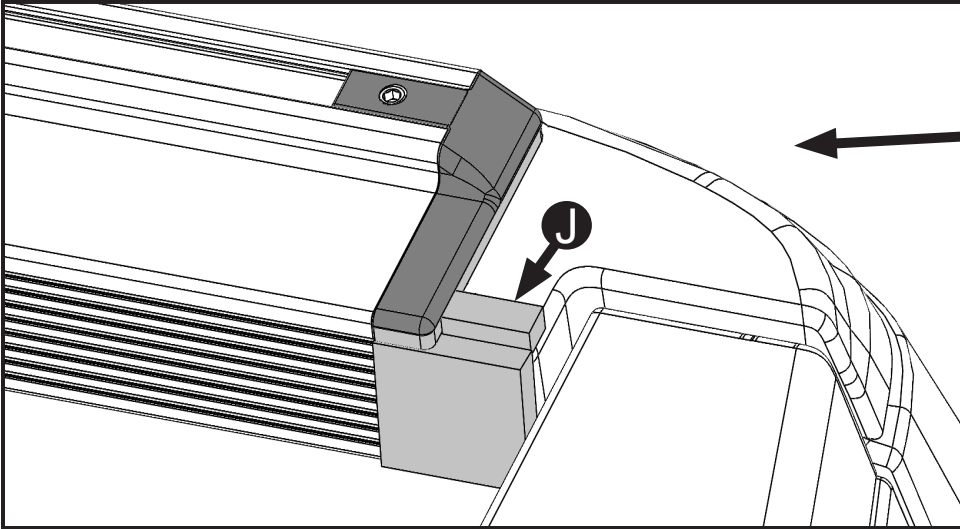
Rear of the truck bed.



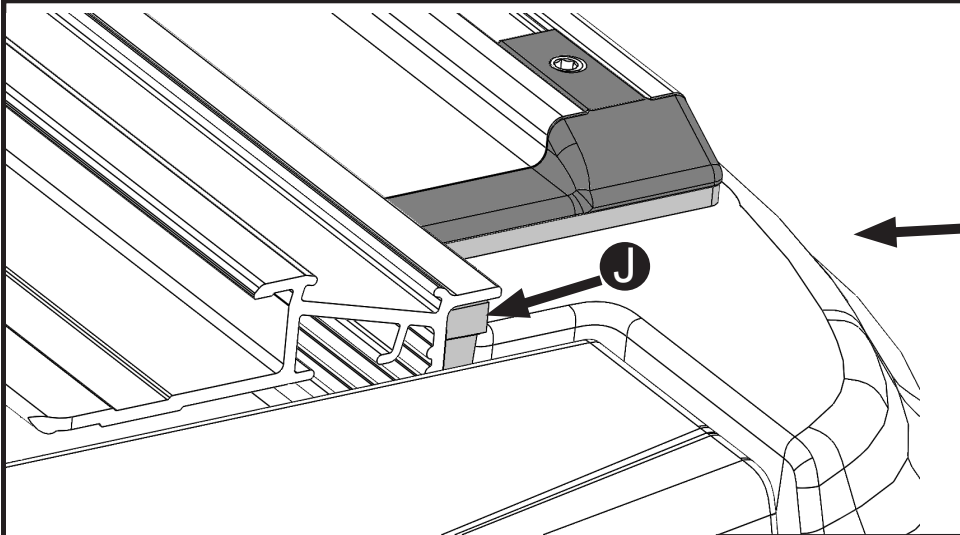
Lay the seal starting at the edge of the accessory rail. Trim the seal flush with the truck's tailgate when closed. LENGTH OF THIS SEAL WILL VARY WITH MODEL OF TRUCK. When installed correctly the seal will lay flat and not wrap around the corner.



**2B** IF YOUR RAIL HAS A SELF LEVELING LIP ON IT INSTALL A PIECE OF SEAL ITEM, **J** INCLUDED IN THE KIT TO THE TOP OF THE BED RAILS OF THE TRUCK BED.



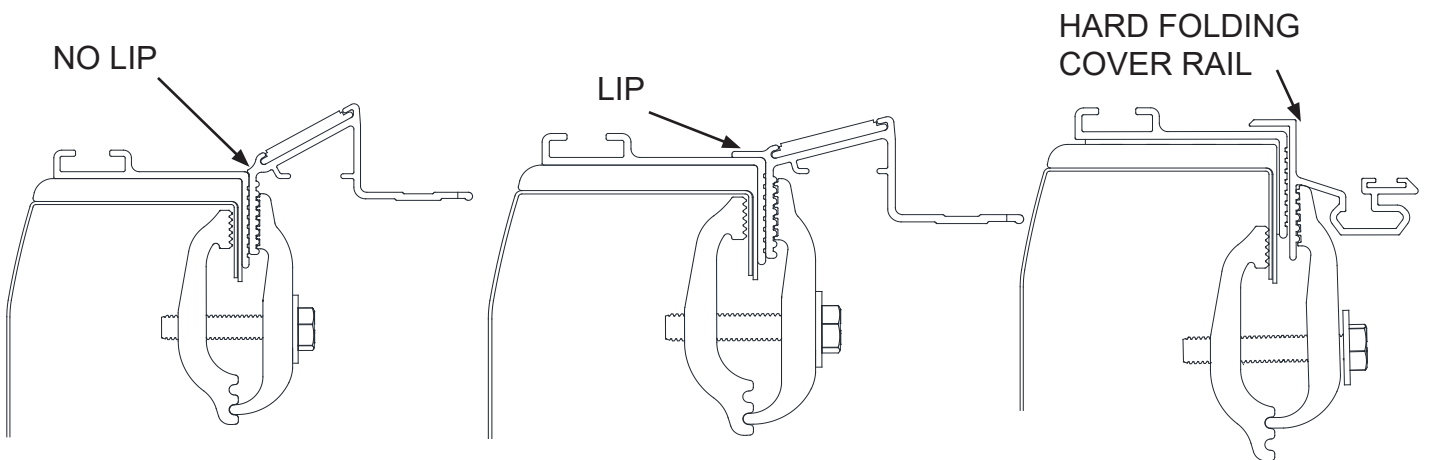
Lay the the seal starting at the endplug of the accessory rail. Trim the seal flush with the end of the truck bed cover rail assembly. Length of this seal will vary with model of truck. When installed correctly the seal will lay flat.



Example of a rail installed that has a lip on it. (Example shown with no endplug for visual purposes only).

Example of truck bed cover rail without a self leveling feature, installed with the Elevate TS rails. The rail in this picture is shown without endplug installed to get a better view of how the additional seal provided is to look when installed.

Example of truck bed cover rail with a self leveling feature, installed with the Elevate TS rails. The rail in this picture has a lip and is shown without end plug installed to get a better view of how the additional seal provided is to look when installed.



Questions call: 1-877-878-9336