

DETAILED DIMENSIONS



ORIGINAL
SERIES

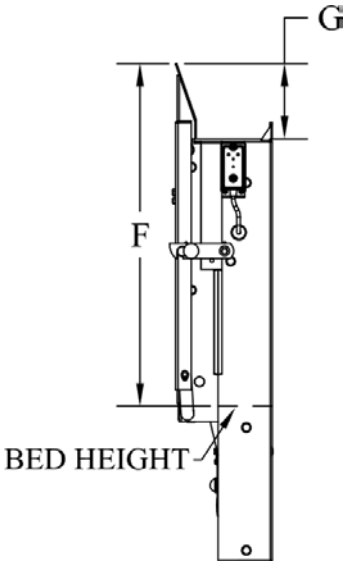
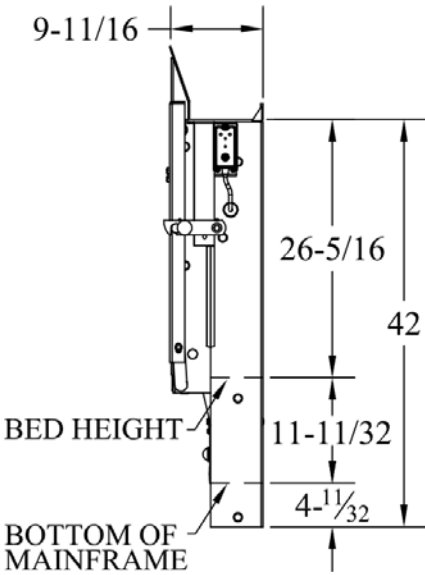
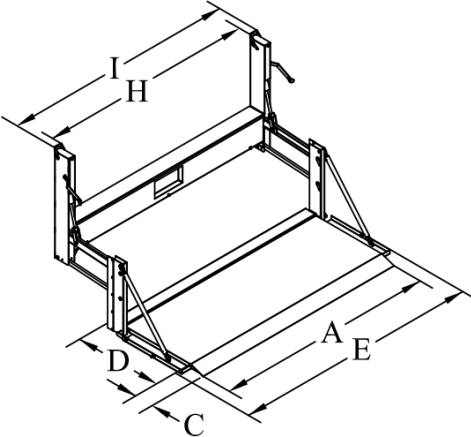
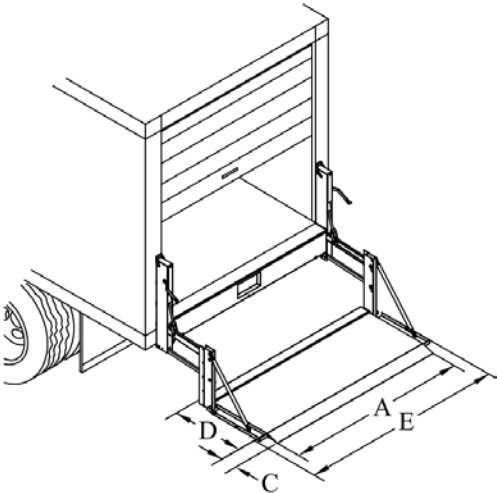
FLATBED & VAN MODELS



				A	C	D	E	F	G	H	I
	Travel	Lifting Capacity	Platform Loading Width	Taper	Platform Loading Depth	Overall Platform Width	Height of Platform Above Mainframe	Height of Platform Above Upright	Clear Opening Between Uprights	Frame Width Outside Uprights	
72-XX50 TP36	50	1000, 1300, & 1600 lb. Capacities	68-1/8	6	36	76-1/4	34-1/32	7-1/4	69-3/8	72	
72-XX50 TP42	50		68-1/8	6	42	76-1/4	40-1/32	13-1/4	69-3/8	72	
72-XX50 TT34	50		68-1/8	6	34	76-1/4	32-1/32	5-1/4	69-3/8	72	
72-XX50 EA37	50		66-1/2	6-7/32	37	76-1/4	35-13/32	8-5/8	69-3/8	72	
72-XX50 EA42	50		66-1/2	6-7/32	42	76-1/4	40-5/32	13-3/8	69-3/8	72	
72-XX50 BG34	50		68-3/8	6	34	76-1/4	32-5/32	5-3/8	69-3/8	72	
80-XX50 TP36	50		76-5/8	6	36	84-3/4	34-1/32	7-1/4	77-7/8	80-7/16	
80-XX50 TP42	50		76-5/8	6	42	84-3/4	40-1/32	13-1/4	77-7/8	80-7/16	
80-XX50 TT34	50		76-5/8	6	34	84-3/4	32-1/32	5-1/4	77-7/8	80-7/16	
80-XX50 EA37	50		75	6-7/32	37	84-3/4	35-13/32	8-5/8	77-7/8	80-7/16	
80-XX50 EA42	50		75	6-7/32	42	84-3/4	40-5/32	13-3/8	77-7/8	80-7/16	
80-XX50 BG34	50		76-7/8	6	34	84-3/4	32-5/32	5-3/8	77-7/8	80-7/16	
86-XX50 TP36	50		82-1/8	6	36	90-1/4	34-1/32	7-1/4	83-3/8	86	
86-XX50 TP42	50		82-1/8	6	42	90-1/4	40-1/32	13-1/4	83-3/8	86	
86-XX50 TT34	50		82-1/8	6	34	90-1/4	32-1/32	5-1/4	83-3/8	86	
86-XX50 EA37	50		80-1/2	6-7/32	37	90-1/4	35-13/32	8-5/8	83-3/8	86	
86-XX50 EA42	50		80-1/2	6-7/32	42	90-1/4	40-5/32	13-3/8	83-3/8	86	
86-XX50 BG34	50		82-3/4	6	34	90-1/4	32-5/32	5-3/8	83-3/8	86	
91-XX50 TP36	50		87-1/8	6	36	95-1/4	34-1/32	7-1/4	88-3/8	91	
91-XX50 TP42	50		87-1/8	6	42	95-1/4	40-1/32	13-1/4	88-3/8	91	
91-XX50 TT34	50		87-1/8	6	34	95-1/4	32-1/32	5-1/4	88-3/8	91	
91-XX50 EA37	50		85-1/2	6-7/32	37	95-1/4	35-13/32	8-5/8	88-3/8	91	
91-XX50 EA42	50		85-1/2	6-7/32	42	95-1/4	40-5/32	13-3/8	88-3/8	91	
91-XX50 BG34	50		87-3/8	6	34	95-1/4	32-5/32	5-3/8	88-3/8	91	

* XX in the model number column denotes either capacity model number. Capacity does not affect physical dimensions.

DETAILED DIMENSIONS



Tommy Gate® liftgates are industrial products for material handling only and are not to be used as personnel or wheelchair lifts.
 For safe handling and operating instructions, visit www.tommygate.com.
 © 2017 Woodbine Manufacturing Company, Inc. All rights reserved.