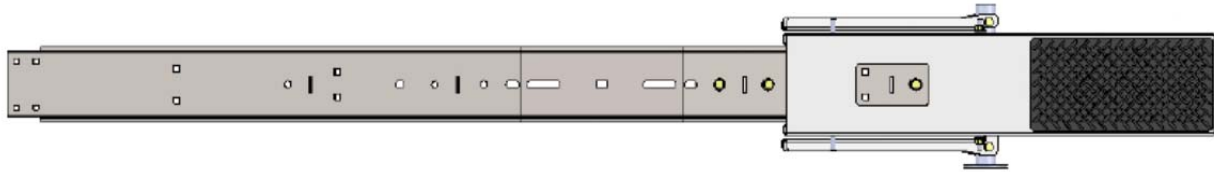
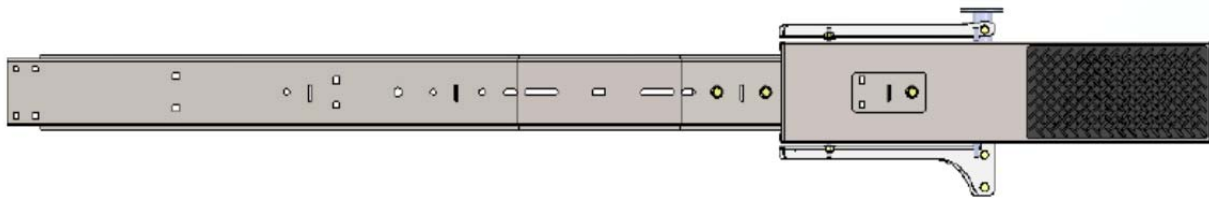




40953 Parts List



Front Bow Assy.(1)



Rear Bow Assy.(1)



Gutter Mount Foot(4)



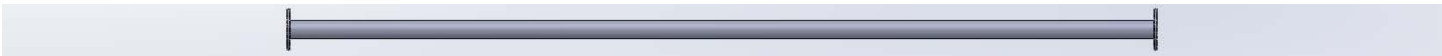
Latch (1)



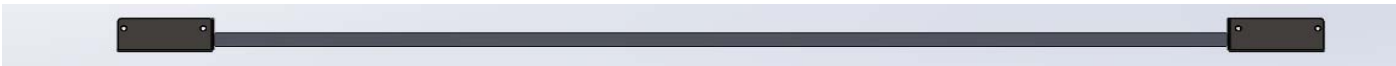
Ladder Hook (2)



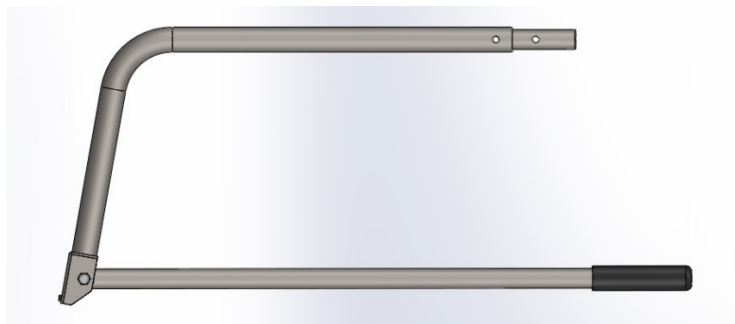
Ladder Stop (2)



Torque Tube (1)



Ladder Pan Stiffener (1)



Handle Assy. (1)

40953 Hardware List

Tools Needed

8' Tape Measure	1/2" End Wrench
1/2" Socket	9/16" End Wrench
9/16" Socket	Hammer
7/16 Socket	

Hardware Pack

(a)
Qty 6 -
5/16"-18 x 3/4" Carriage Bolt



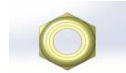
(b)
Qty 14 -
5/16" Flat Washer



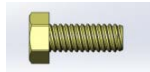
(c)
Qty 4 -
5/16" Lock Washer



(d)
Qty 10 -
5/16"-18 Nyloc Nut



(e)
Qty 4 -
5/16"-18 x 5/8" Hex Bolt

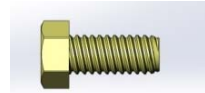


Hardware Pack Cont'

(f)
Qty 4 -
5/16"-18 x 1-1/4" Carriage Bolt



(g)
Qty 8 -
3/8"-16 x 3/4" Hex Bolt



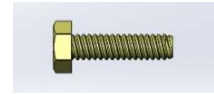
(h)
Qty 8 -
3/8" Flat Washer



(i)
Qty 8 -
3/8" Lock Washer



(j)
Qty 6 -
1/4"-20 x 7/8" Fully Threaded Hex Bolt



(k)
Qty 12 -
1/4" Washer



(l)
Qty 6 -
1/4"-20 Nyloc Nut



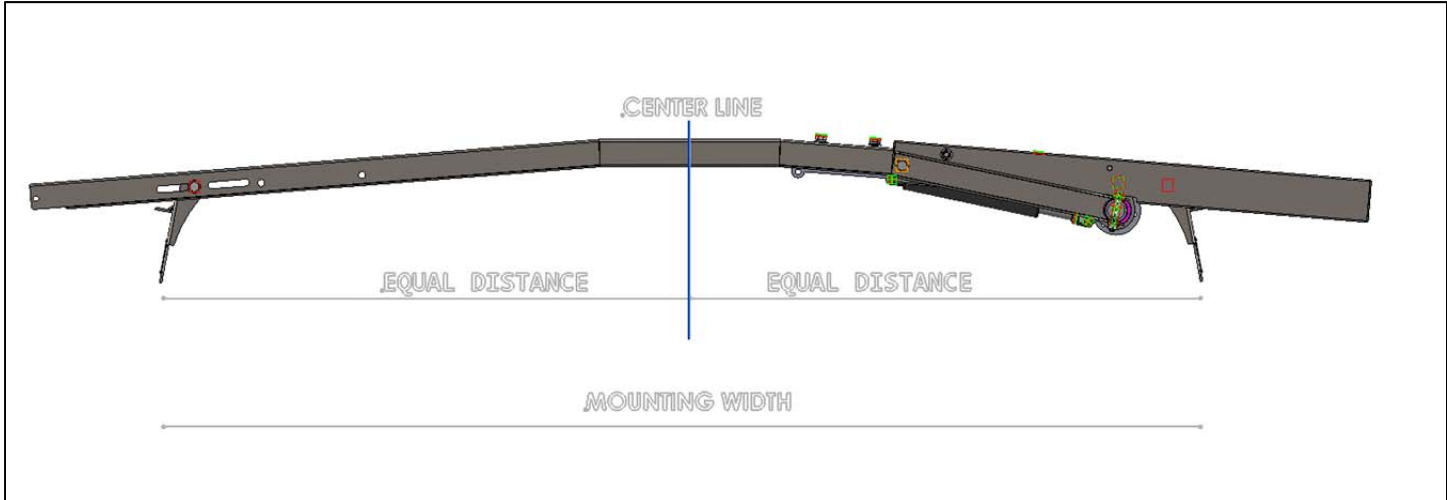
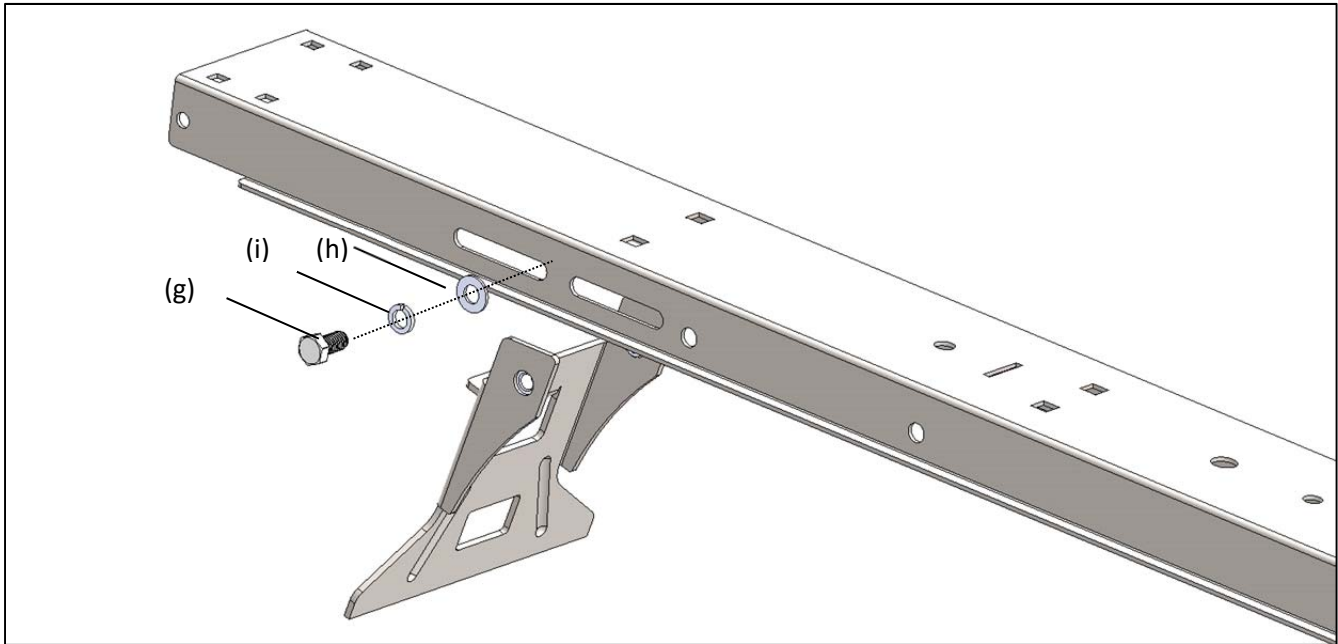
For TECHNICAL SUPPORT Call: 800-343-7486 Monday - Friday 7:00 A.M. to 4:00 P.M (PST)



40953 Installation Instructions

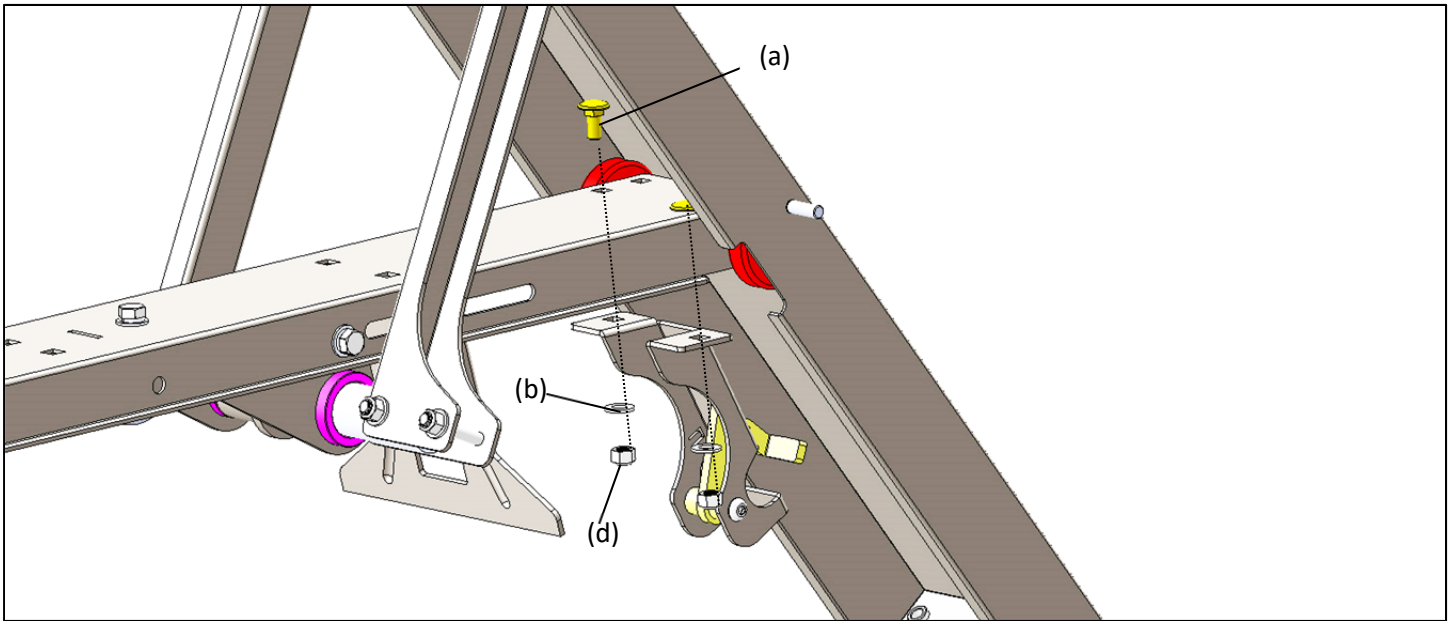
Step 1

Measure width of rain gutter front and rear, install feet using 3/8" x 3/4" hex bolts (g) with flat washer (h) and lock washers (i) approximately in that location making sure to be an equal distance from the center of the cross bow. Leave loose until you set the assembly onto the vehicle. Most vans have a wider rain gutter towards the front of the vehicle.



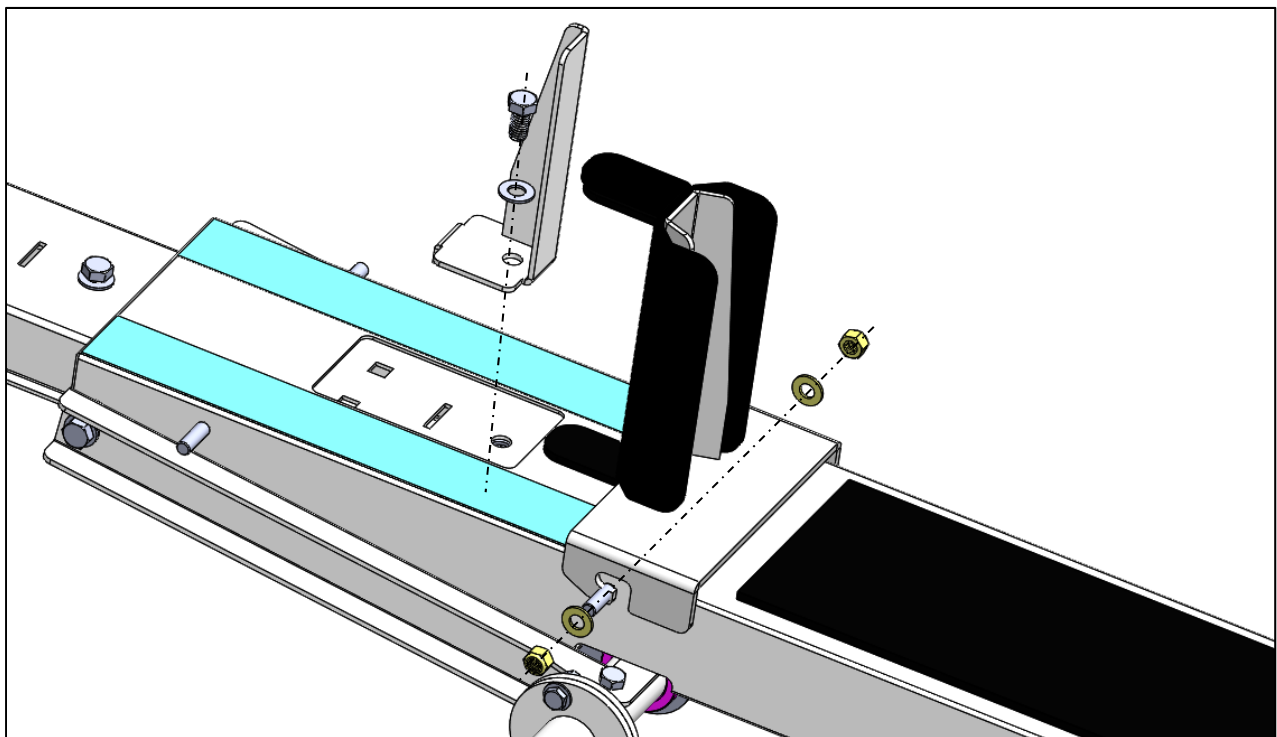
Step 2

Attach the handle latch to the rear bow. The rear bow is the one with the black dampener assembly and 2 holes in the lift arm, which should face the rear of the vehicle. Bolts go through the second row of square holes from end. Use 5/16" x 3/4" carriage bolts (a) with flat washers (b) and nylock nuts (d). The Kargo Master label must face the rear of the vehicle.



Step 3

Attach ladder hooks to ladder pans on 5/16" studs in desired location. Attach ladder steps to coincide with ladder hooks by removing 3/8" x 3/4" bolt and placing step so the tab on the step goes into the corresponding slot. The diagram below shows in the upper position commonly used for step ladders. You can install in the lower position for extension ladders for a lower load height.



Step 4

Place rear bow assembly at rear of van, approximately 16" (Diagram 4B) from rear of van. Loosely install gutter clamps (see Ford and GM gutter clip below) using 5/16"x1 1/2" carriage bolts (a) with flat washer (b) and nylock nut(d), so rear bow assembly is secure but can still be moved front to rear (Diagram 4A). Install handle assembly; use E6000 on 5/16"x 2" bolts to keep water out of the tube (Diagram 4B). Be sure handle will clear the back of the van, now you can tighten rear bow assembly, making sure it is equal distance from the rear of the van on both drivers and passenger side of the van (Diagram 4C).

Diagram 4A

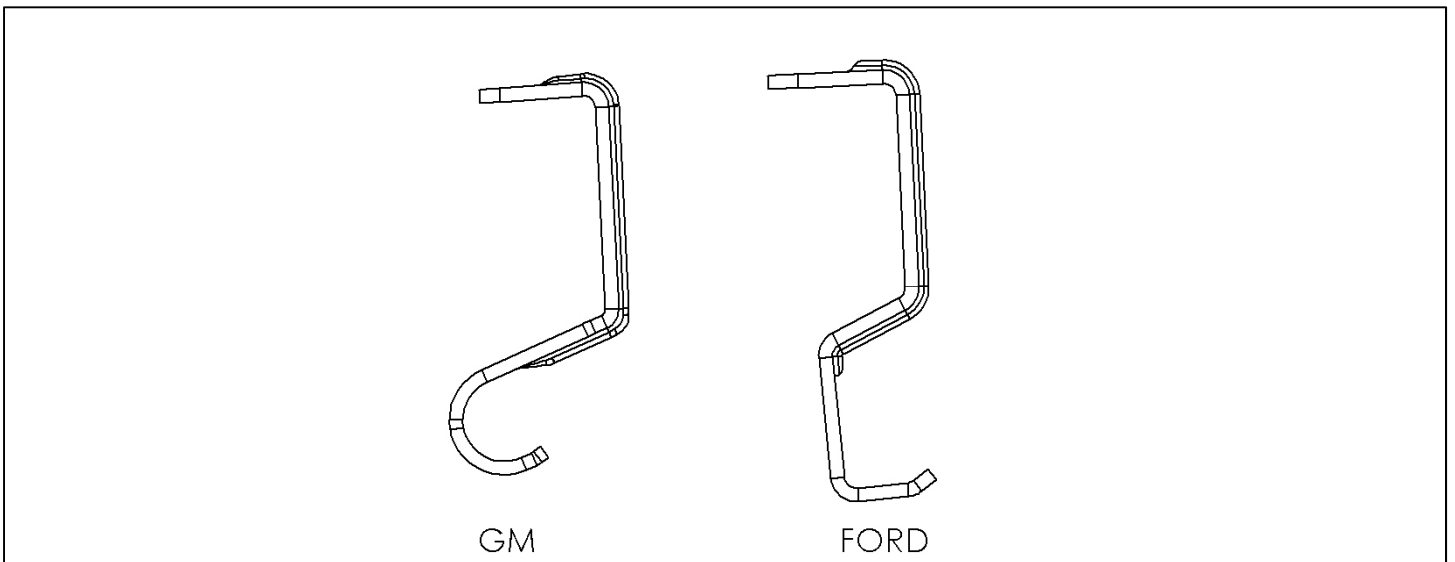
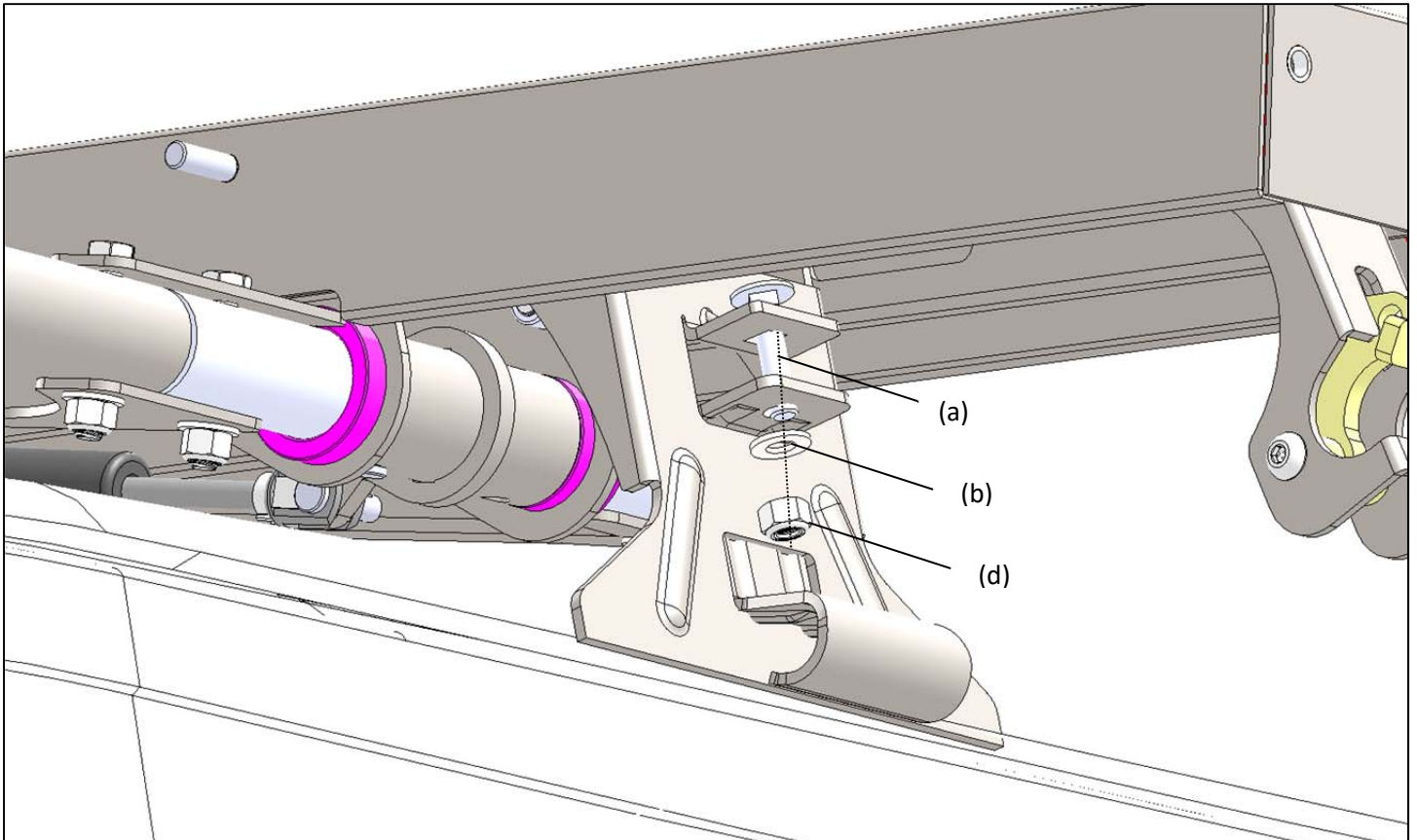


Diagram 4B

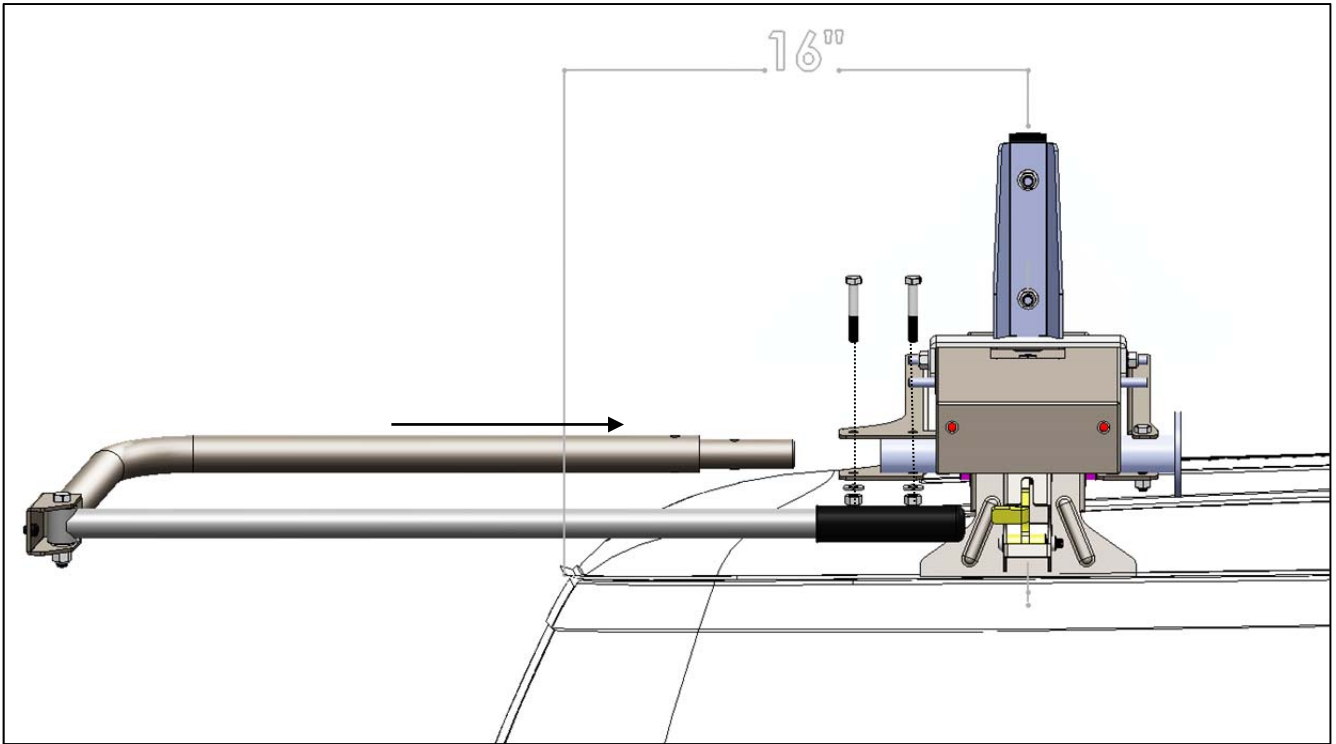
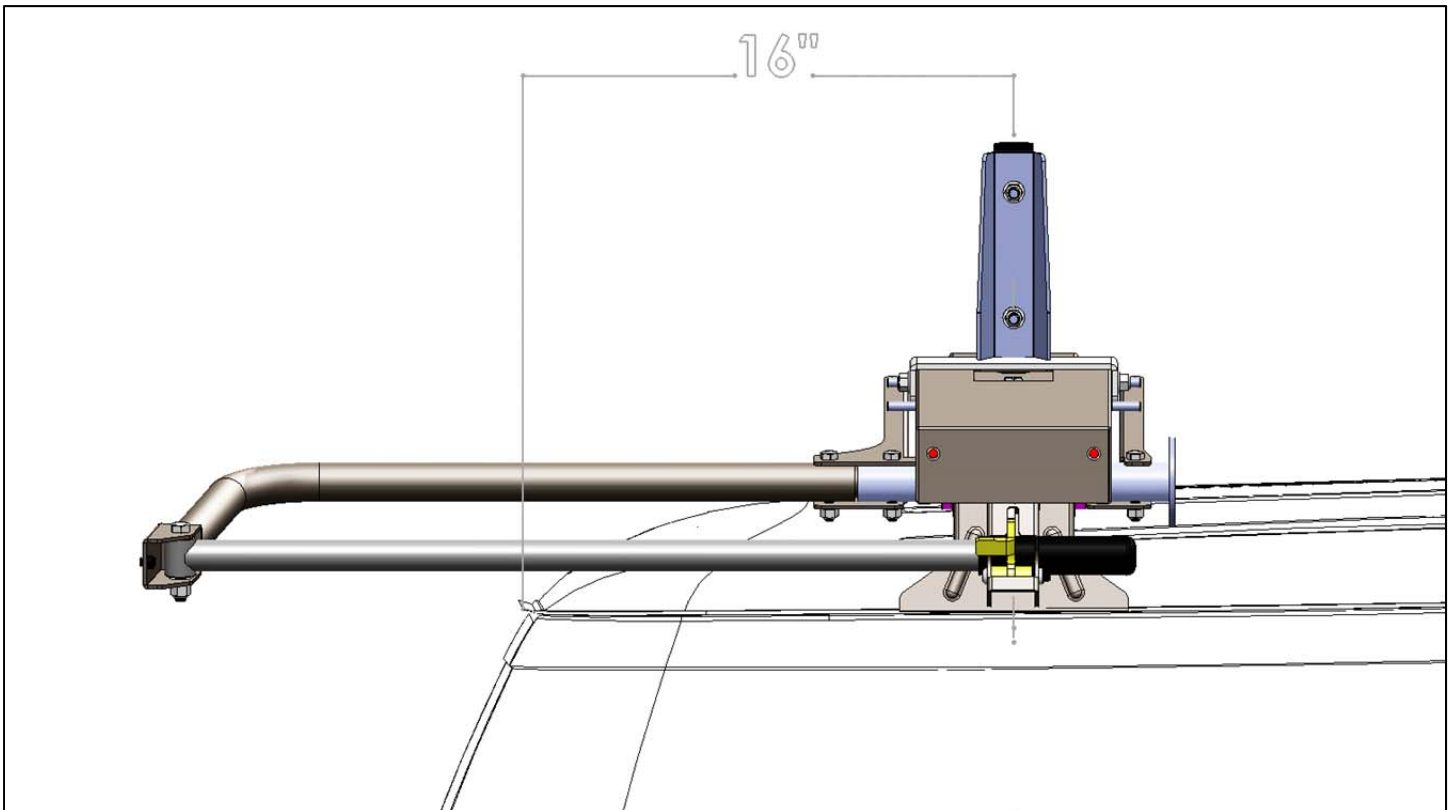
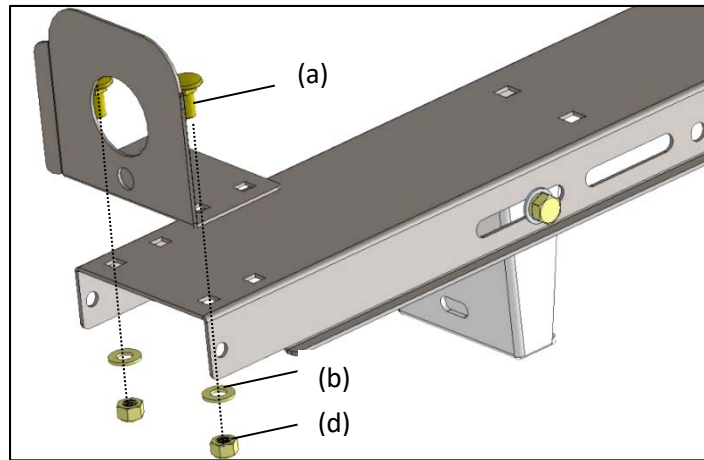


Diagram 4C



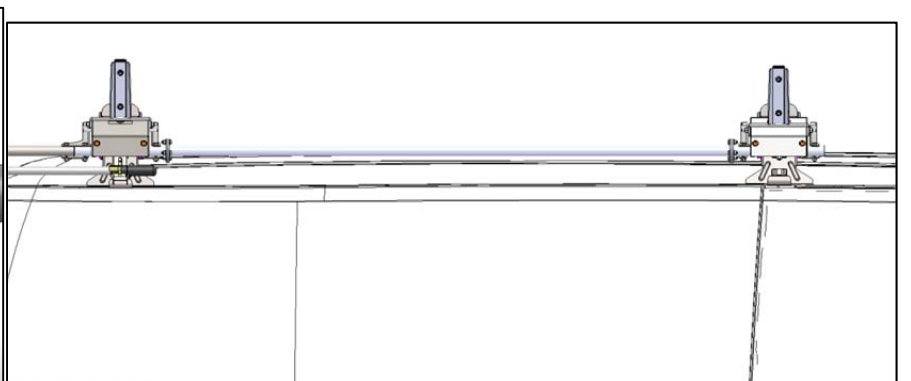
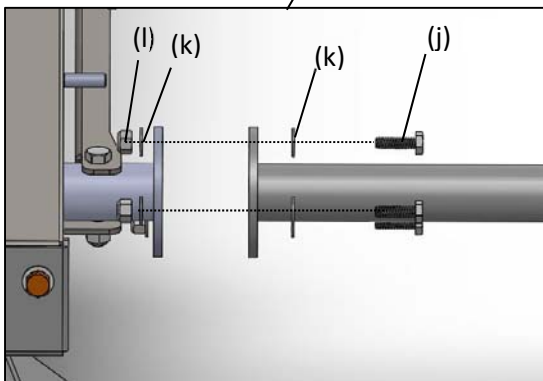
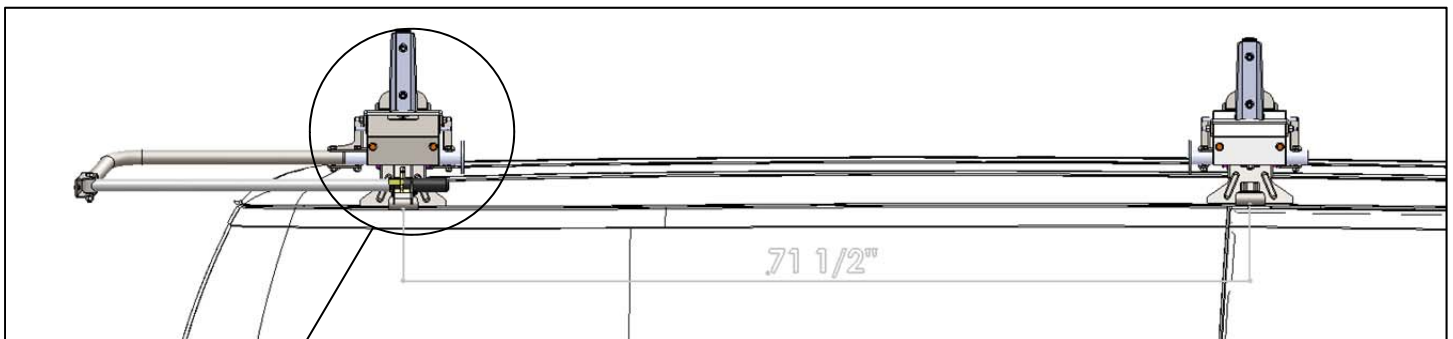
Step 5

Next bolt the "Load Plate" on the driver side of the bows using 5/16"x3/4" carriage bolts (a) with nyloc nuts (d) and flat washer (b) as shown.



Step 6

Place the front bow assembly on the van, it should be 71 1/2" center to center from the rear bow assembly, **DO NOT TIGHTEN YET**. Place the torque tube between the 2 bow assemblies. Attach torque tube using 1/4" x 7/8" Hex bolts (j) with flat washers (k) and nylock nuts(l). Check distance between feet on both driver and passenger side, they must be EXACTLY the same to insure the bow assemblies are parallel.



Step 7

Attach ladder pan stiffener, in the closed position, using 5/16"x5/8" bolts (e) with lock washers (c) and flat washers (b). Confirm that distance between passenger side feet and driver side feet are still EXACTLY the same. Now you can tighten the gutter clamps for the front bow assembly. The installation is complete.

