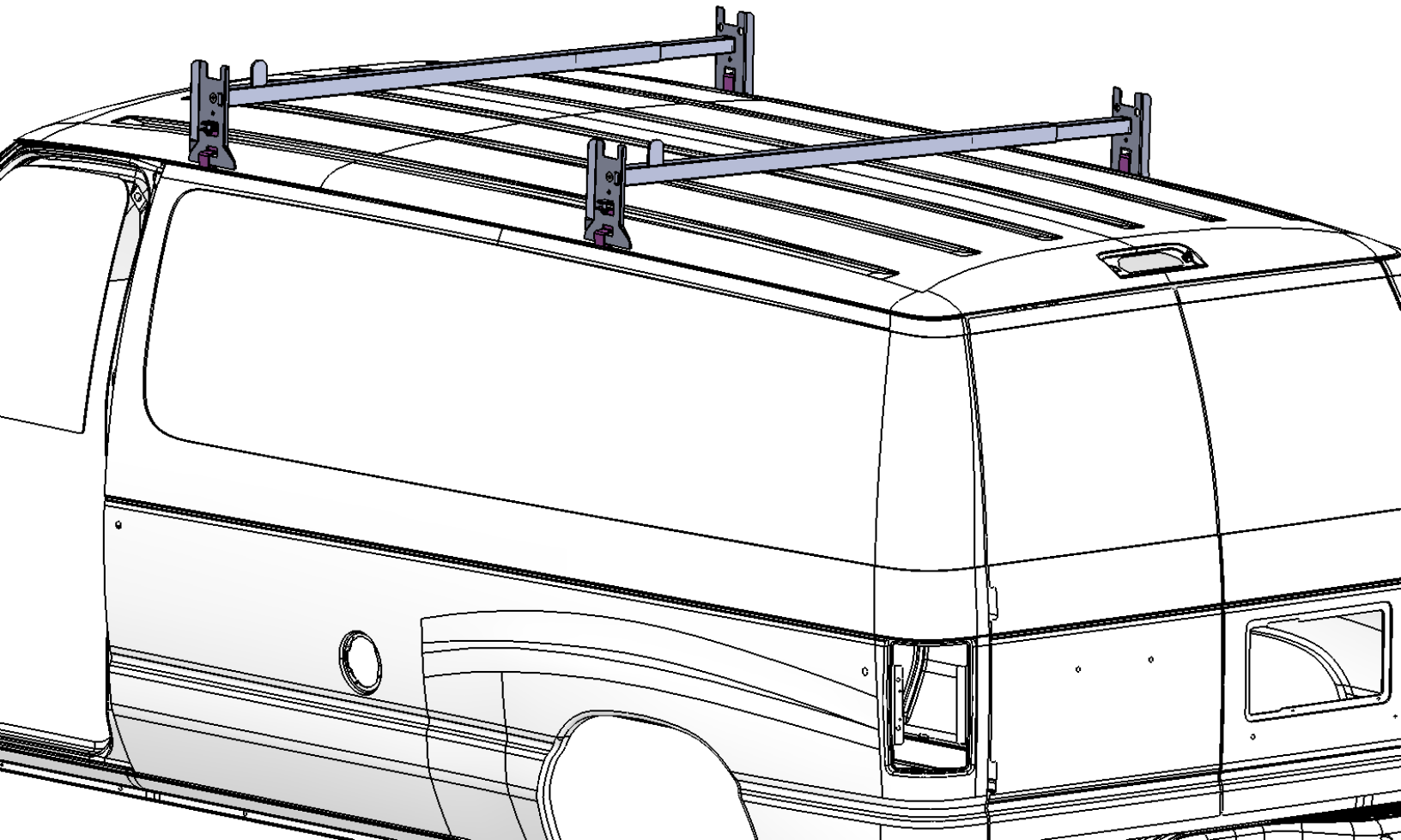


# KARGO MASTER®

For TECHNICAL SUPPORT Call: 800-343-7486 Monday - Friday 8:00 A.M. to 4:30 P.M. (PST)

Assembly Instructions For:

## **40820/40823** VAN 2 BAR LADDER RACK

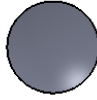


# Hardware

(c)  
5/16"  
Flat Washer  
4 each



(d)  
5/16" x 1 1/4"  
Carriage Bolt  
4 each



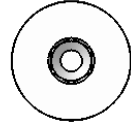
(e)  
3/8" x 3/8"  
Set Screw  
2 each



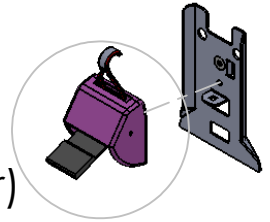
(f)  
5/16"  
Nylock Hex Nut  
4 each



(g)  
1/2" x 1"  
Flat Head Allen Bolt  
4 each



Optional: **40850**  
Ratchet Strap  
Sold Separately  
Kit Consists of (2 Per)



## 40820 Van 2 Bar Ladder Rack

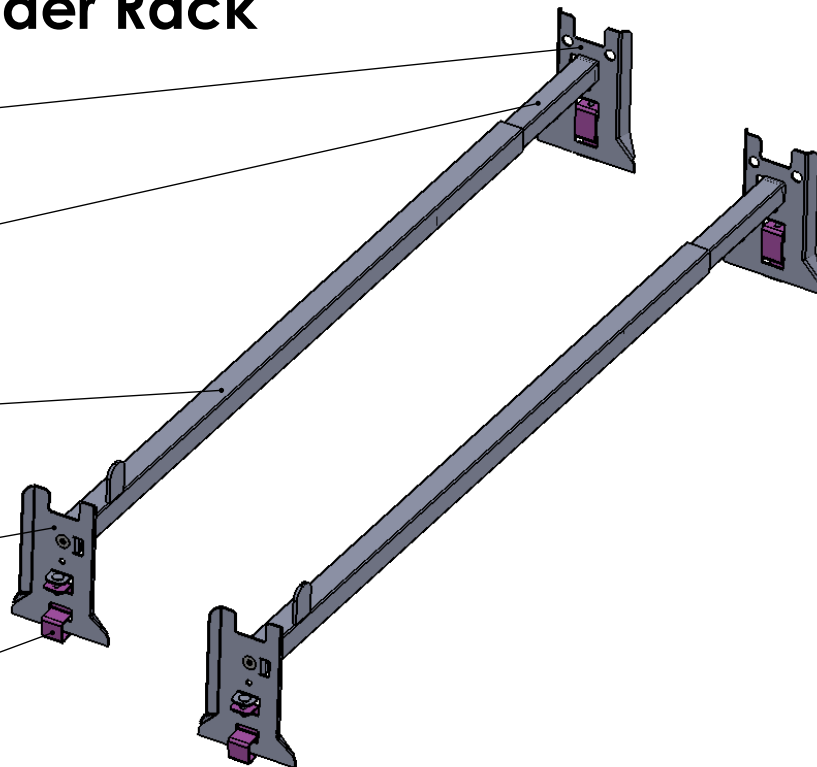
Qty

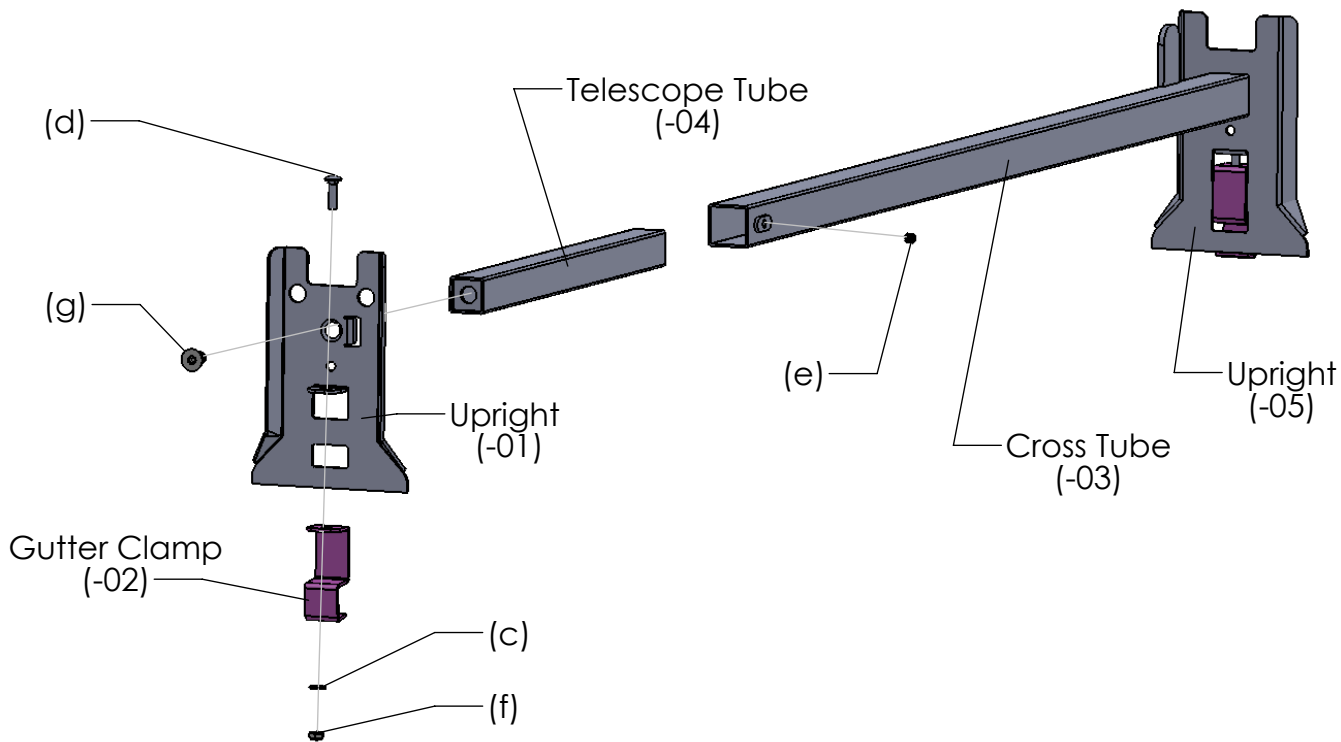
Qty

Qty

Qty

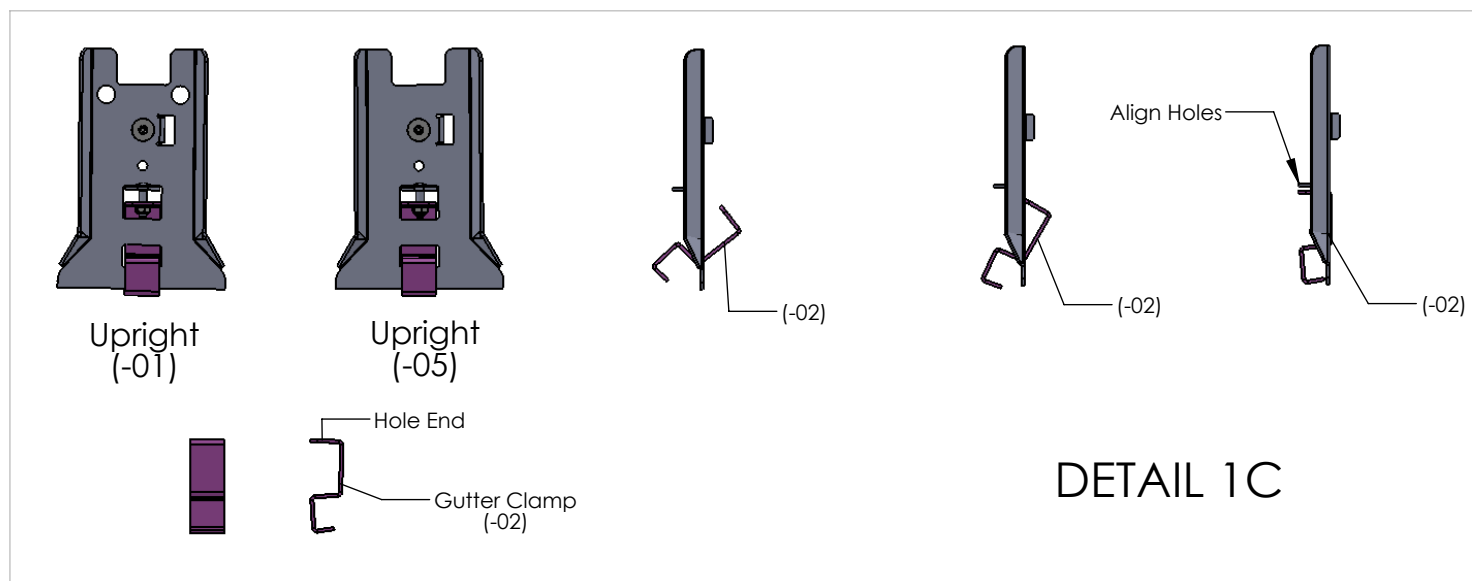
Qty





### STEP 1:

Attach uprights (-01) to telescope tube (-04) and uprights (-05) to cross tube (-03) using allen head bolt (g). Now insert telescope tube (-04) assembly into cross tube (-03).



### STEP 2:

Set rack assembly in place on the van gutter and even up. Insert set screw (e) in cross tube (-03) and snug tighten. Now slip the gutter clamp (-02) (hole end) through the lower window of the upright and rotate through the top window of the upright to align the holes as shown in DETAIL 1C.

### STEP 3:

Insert gutter clamp bolts (d) flat washers (c) and nylock nuts (f). Snug all bolts. DO NOT OVER TIGHTEN.

