

ASSEMBLY INSTRUCTIONS
for :

80080 FULL SIZE VAN RACK
for TRANSIT, METRIS
PROMASTER, and NV

Version 4

KARGO[®]
MASTER

(916) 638-8703

(800) 343-7486

• *11261 Trade Center Drive • Rancho Cordova, CA 95742 •*

• *www.kargomaster.com •*


80080 Hardware List

Hardware Pack

(a)
Qty 4 -
1/2" x 2-1/4" Button Head Bolt




(b)
Qty 4 -
1/2" Nylock Jam Nut



(d)
Qty 4 -
M8 x 20 Hex Bolt



(e)
Qty 24 -
5/16"-18 x 1" L Carriage Bolt



(g)
Qty 8 -
5/16"x 1-1/4" L Button Head Bolt



(i)
Qty 40-
5/16" Flat Washer




Mounting Kit

(s)
Qty 8 -
M8 x 20 Hex Bolt




(t)
Qty 36 -
5/16" Flat Washer




(u)
Qty 12 -
5/16"-18 Nyloc Nut



(v)
Qty 12 -
5/16" Lock washer



(w)
Qty 2 - Left
Rail MNT Base-Promaster-NV



(aa)
Qty 8 -
M6 x 20 Hex Bolt



(bb)
Qty 8 -
M6 Lock Washer



(ee)
Qty 4 -
Rubber pad



Hardware Pack Cont'

(j)
Qty 32 -
5/16" Nylock Nut



(k)
Qty 4 -
3/8" x 4" L Hex Bolt



(l)
Qty 8 -
3/8" SAE Flat Washer




(m)
Qty 4 -
3/8" Nylock Nut



(n)
Qty 4 -
Mounting Bracket Spacer



(p)
Qty 4 -
1/2" SAE Flat Washer



(y)
Qty 4 -
5/16"-18 x 1-3/4" Hex Bolt



(z)
Qty 8 -
M8 J Nut



(c)
Qty 12 -
5/16"-18 x1" Hex Bolt



(f)
Qty 8 -
M8 x 35 Hex Bolt



(h)
Qty 4 -
Mount Clip-Promaster



(o)
Qty 2 - Right
Rail MNT Base-Promaster-NV



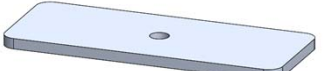
(cc)
Qty 8 -
M6 Flat Washer



(dd)
Qty 4 -
Metris Rubber Pad



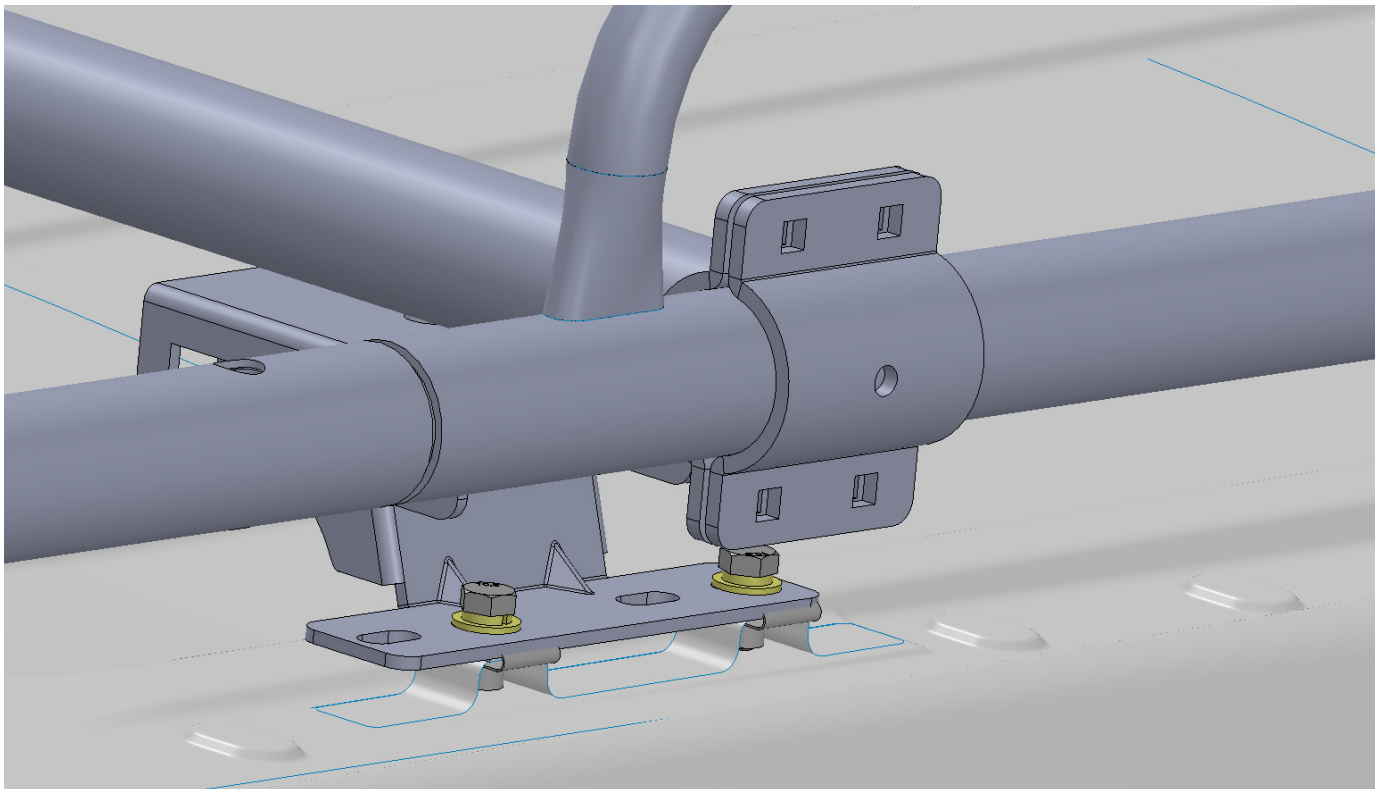
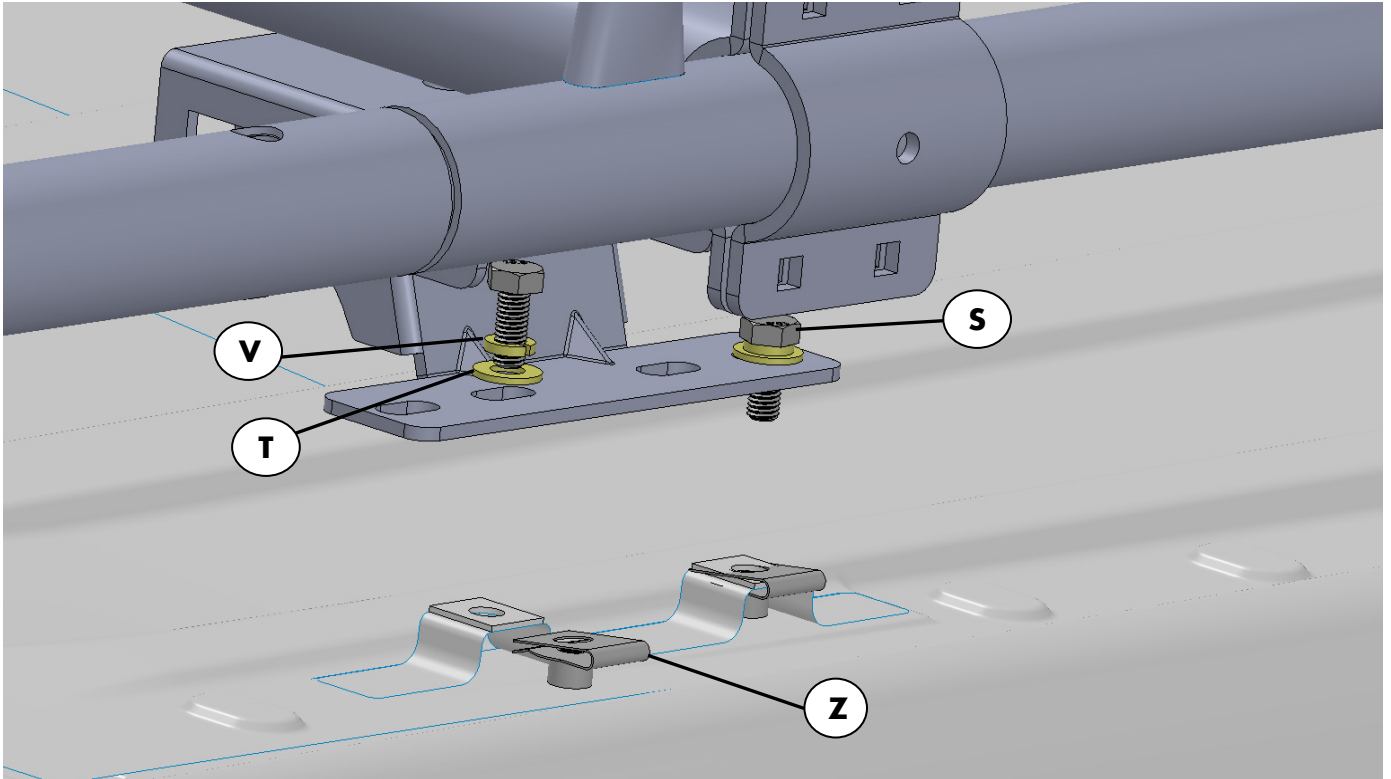
(ff)
Qty 4 -
Foot Plate



Select the correct mounting step based on your vehicle

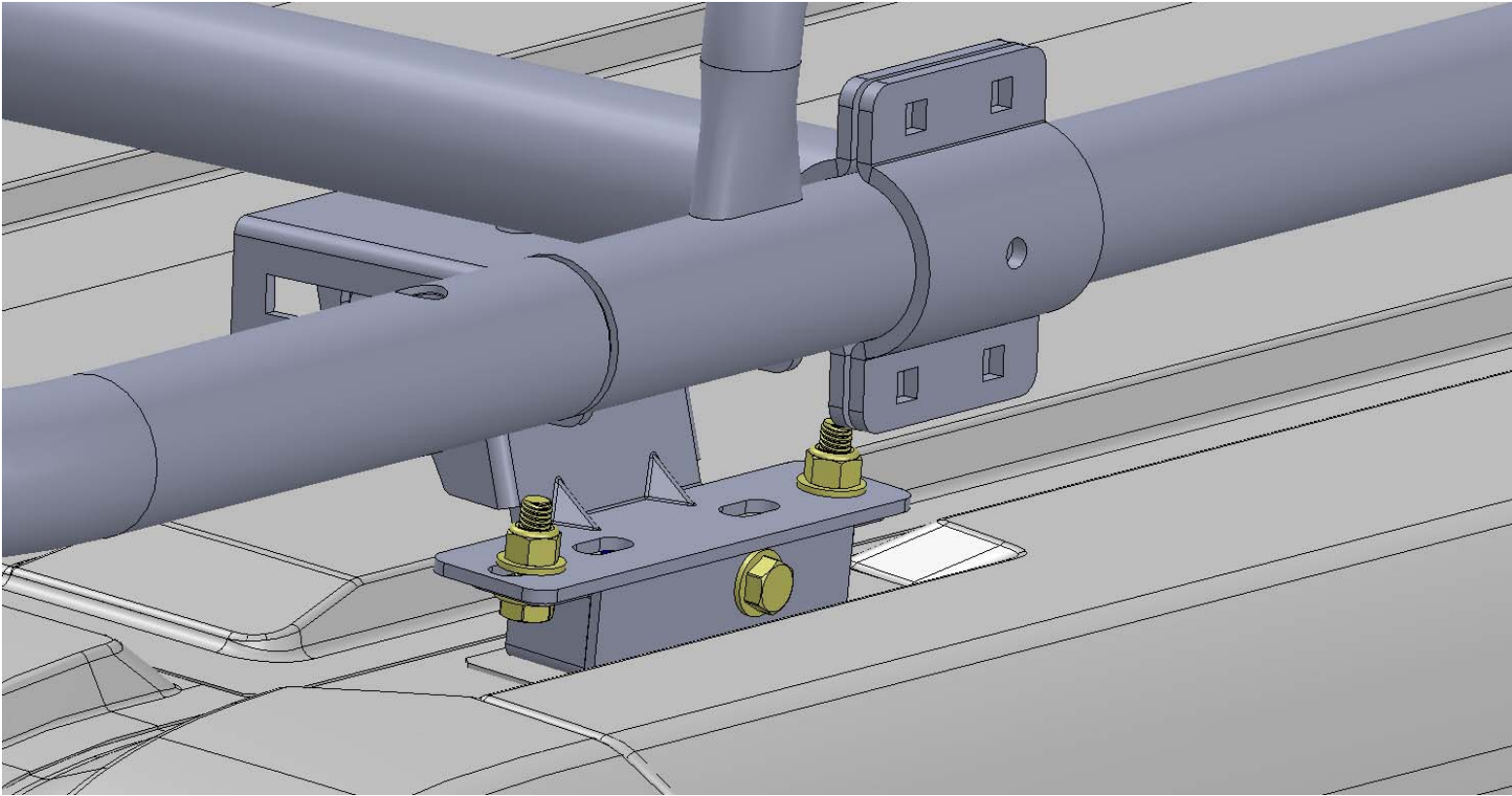
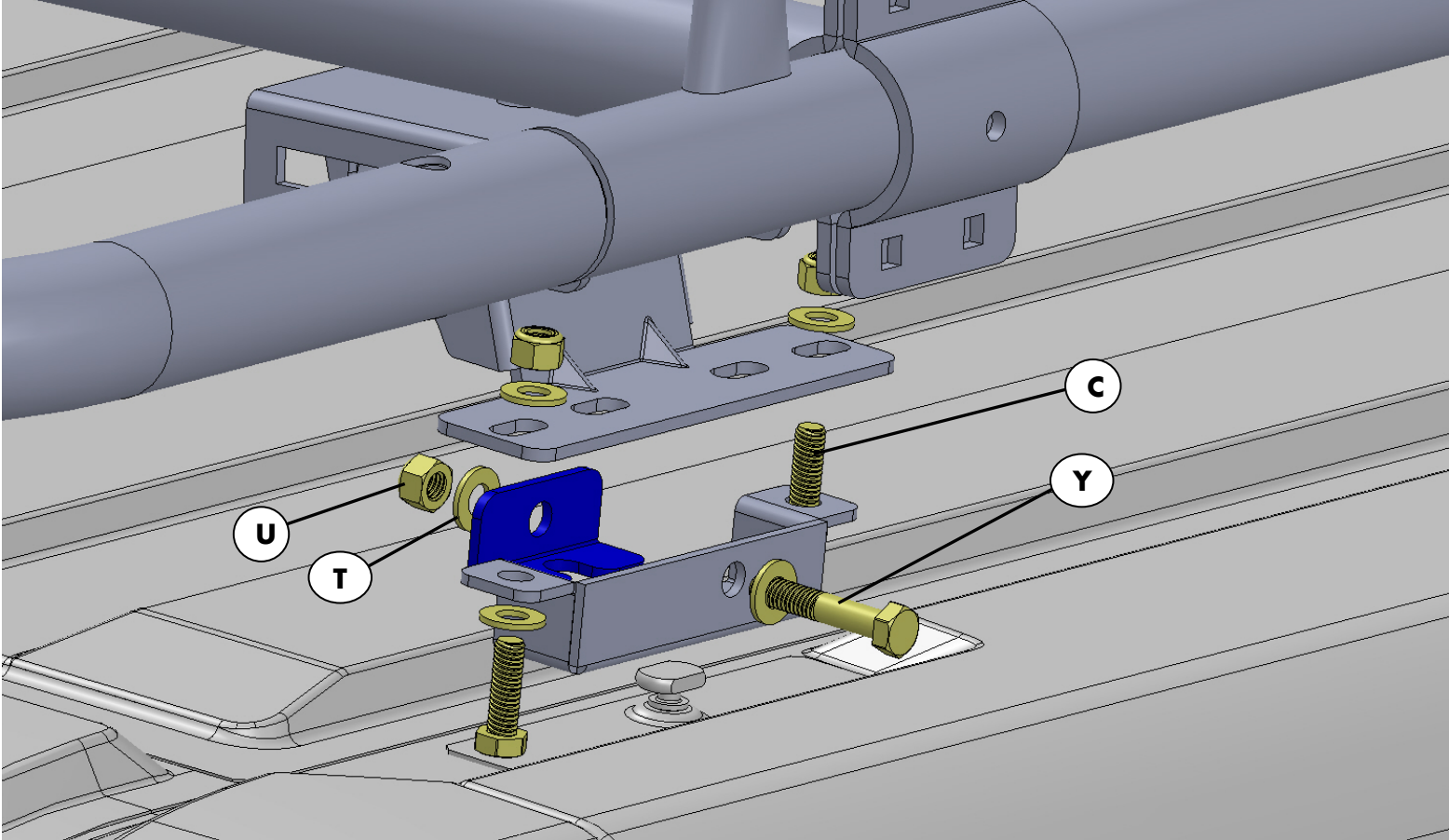
Foot Mounting-Nissan NV

First install the M8 J-Nuts as shown on the desired factory mounts. Then mount the Foot as shown using Mounting Kit bolt kit M8x20 (S), 5/16" Flat Washer (t), 5/16" Lock Washer (v) and M8 J Nut (z).



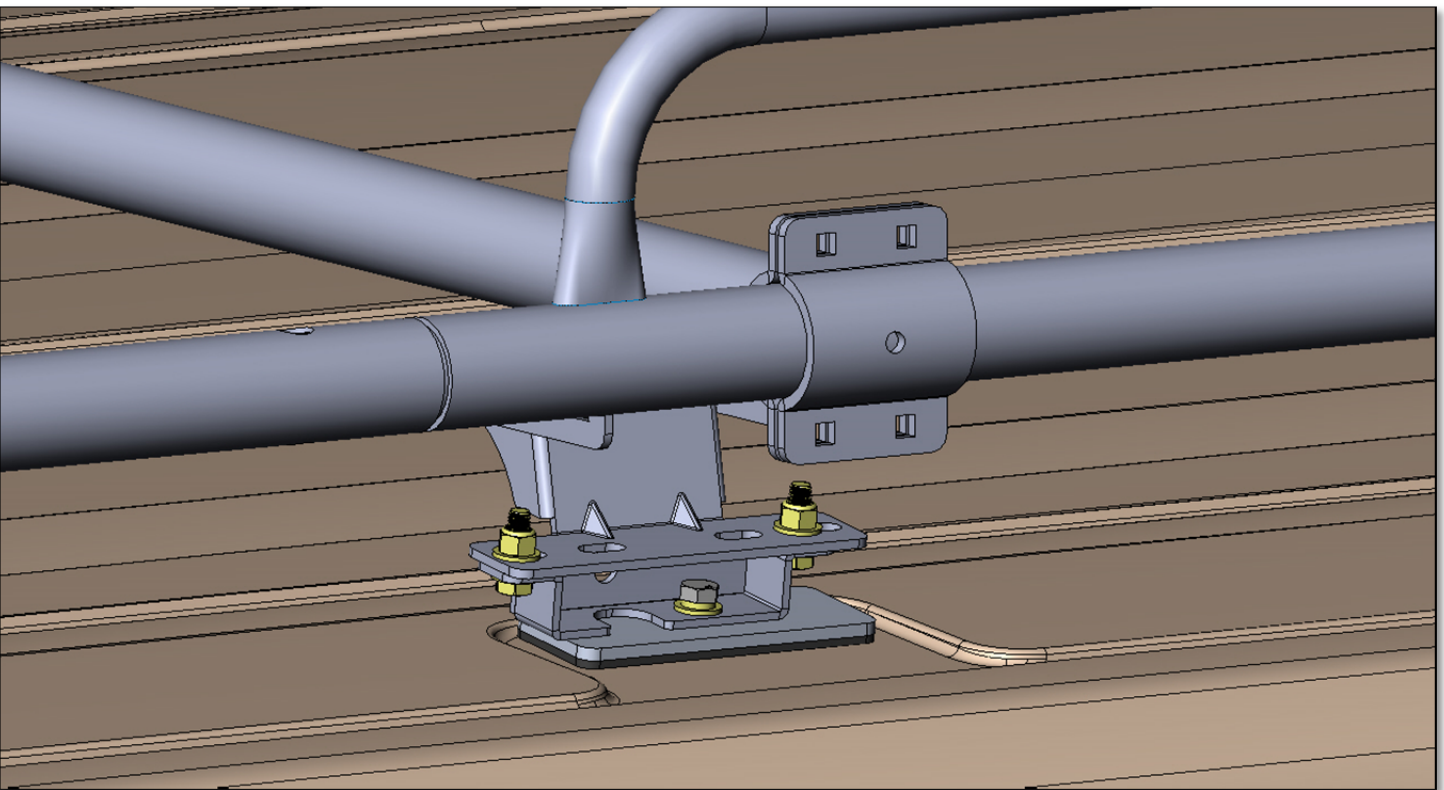
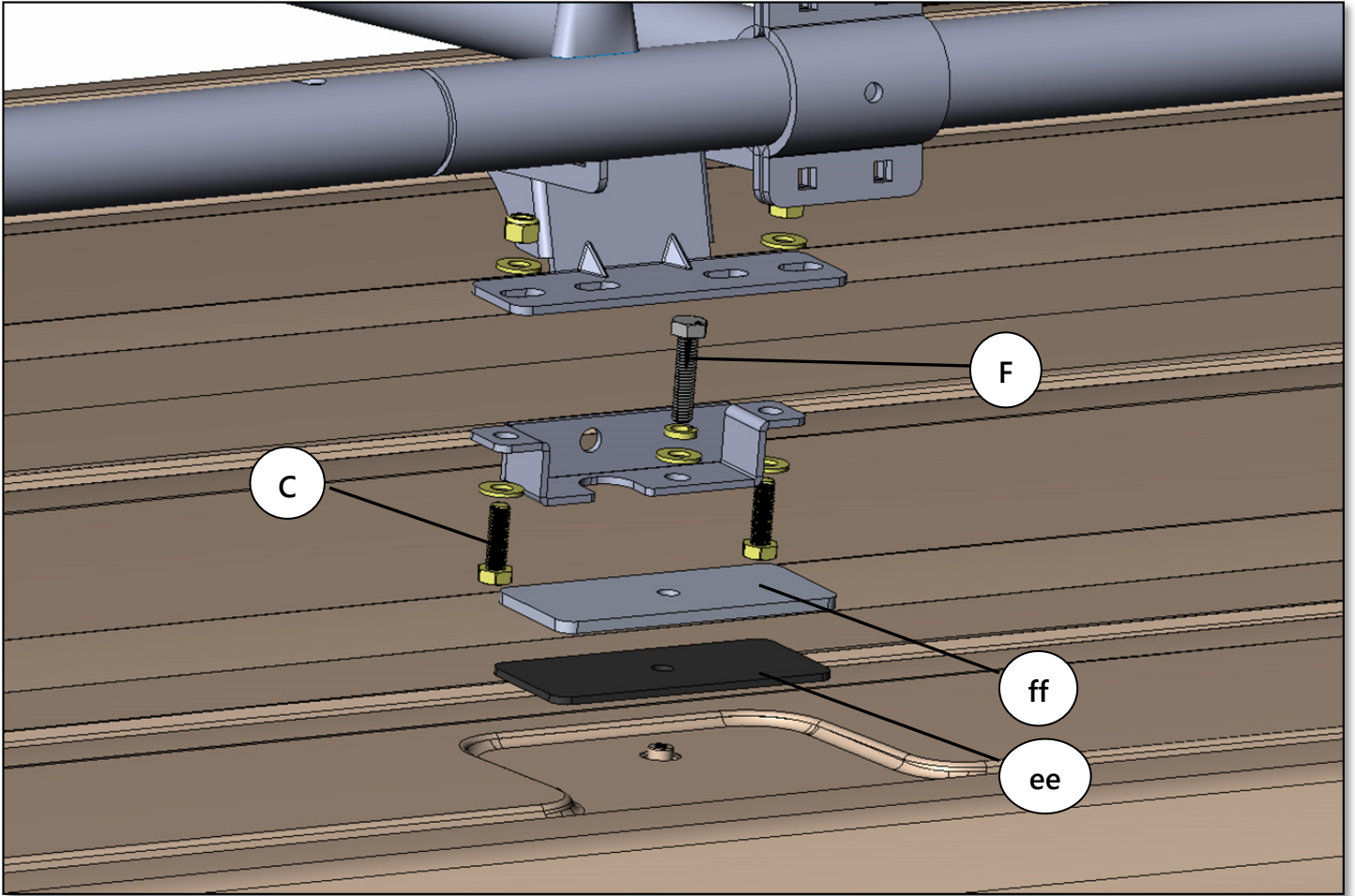
Foot Mounting- k° U P U

Install "Mounting Block" as shown on desired factory mounting locations, **DO NOT OVER TIGHTEN** bolt "Y", tighten just enough to keep "Mounting Block" from spinning by hand.



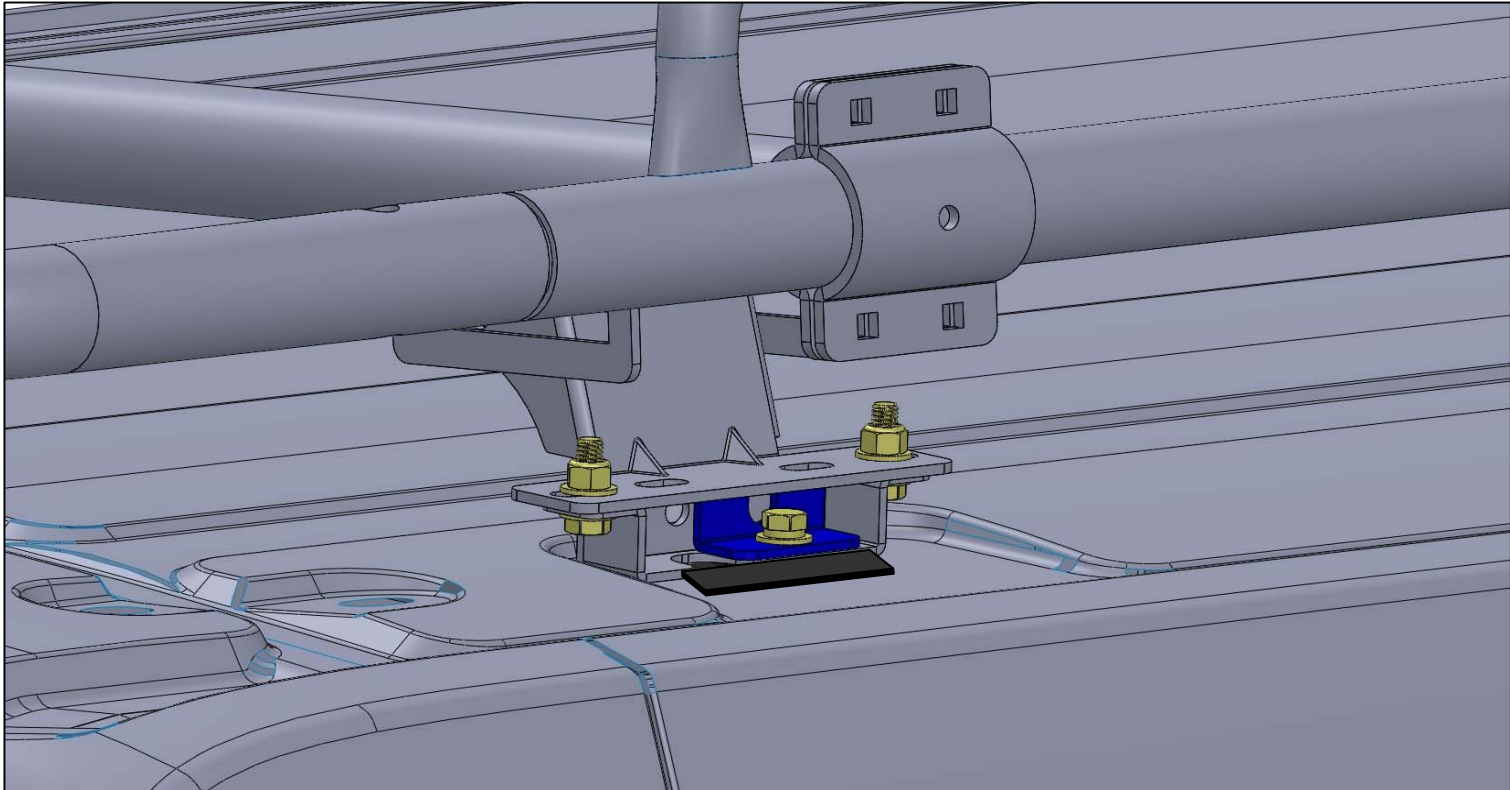
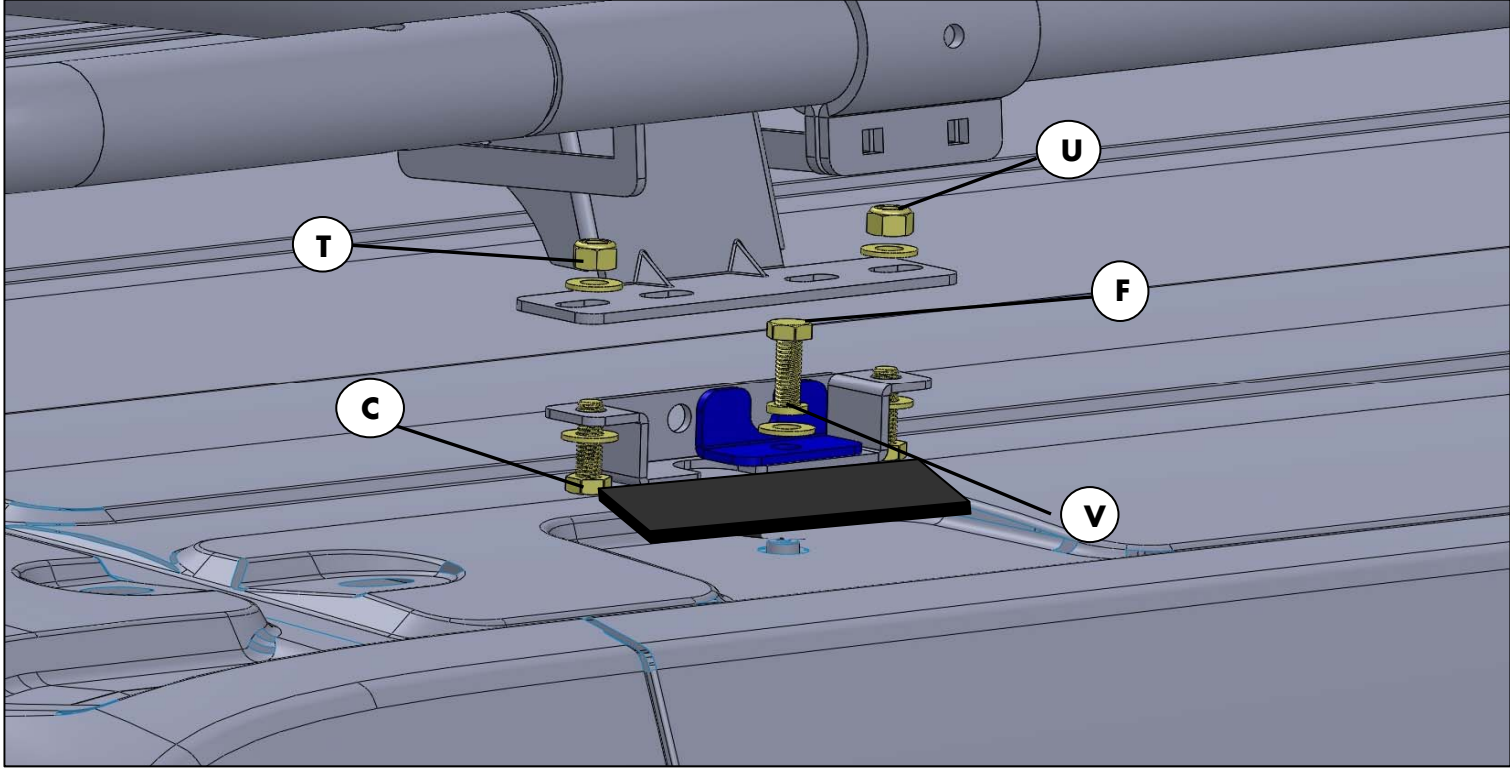
Foot Mounting-Ford Transit

Install "Mounting Block" as shown on desired factory mounting locations, put "Rubber Washer (X)" between "Mounting Block (W) & (O)" and Van roof to insure there are no leaks. Install on this location should use M8-30 Hex bolt (F), Lock Washer (V), Flat Washer (T), and Mount Clip (H)



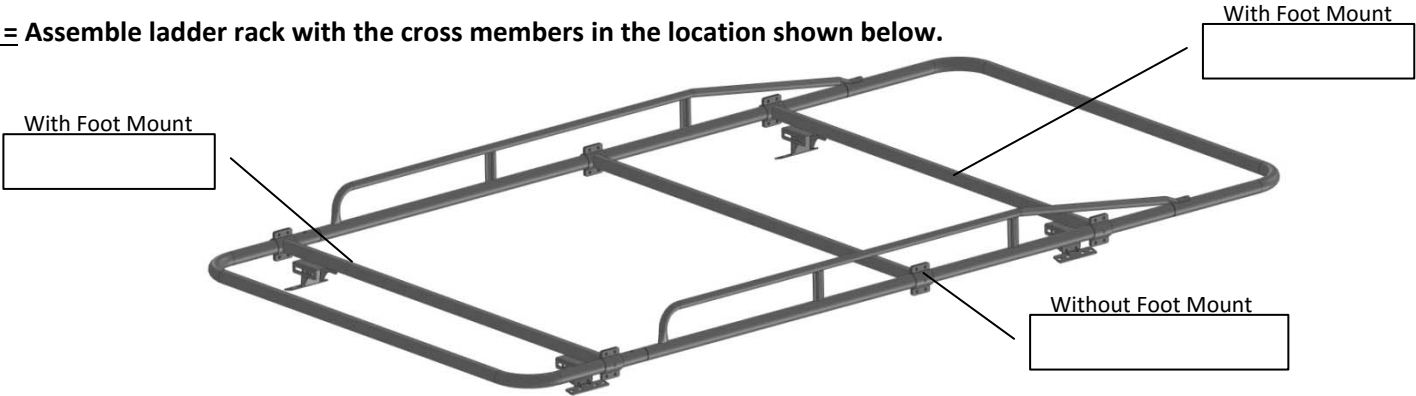
Foot Mounting-Ford Transit

Install "Mounting Block" as shown on desired factory mounting locations, put "Rubber Washer (X)" between "Mounting Block (W) & (O)" and Van roof to insure there are no leaks. Install on this location should use M8-35 Hex bolt(F), Lock Washer (V), Flat Washer (T), and Mount Clip (H)

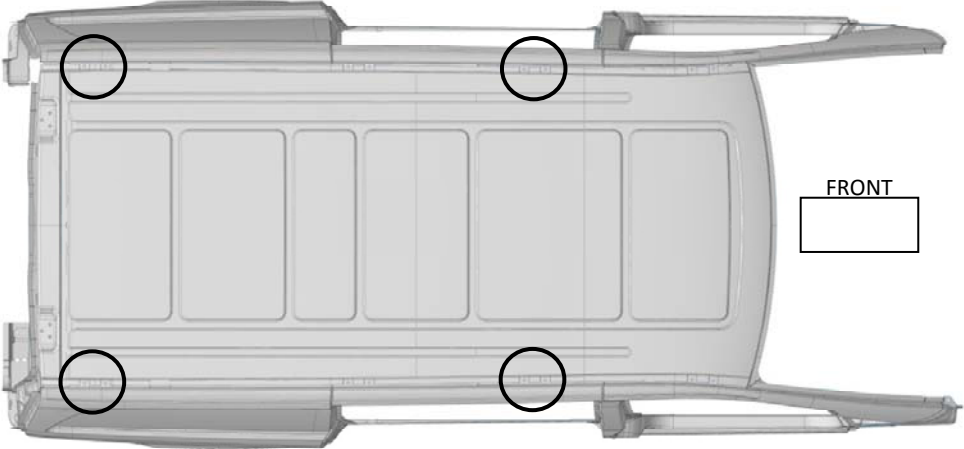


Mercedes Metris INSTALL

#1 = Assemble ladder rack with the cross members in the location shown below.

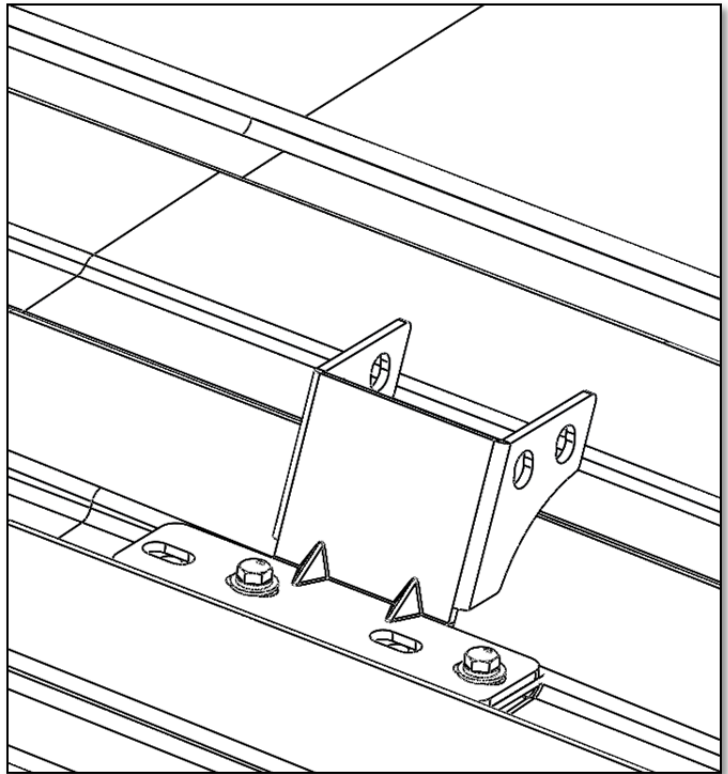
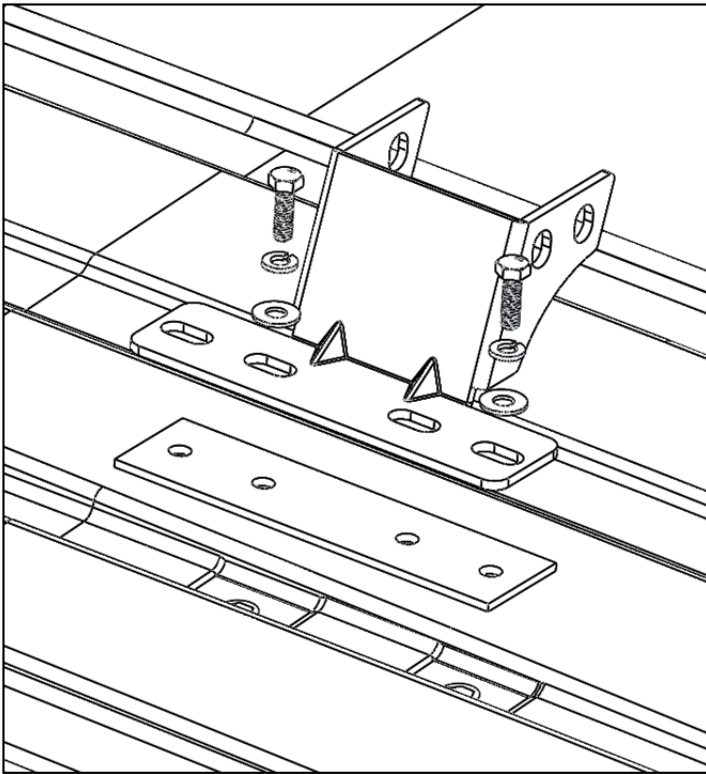


#2 = The Metris has 8 threaded embosses in the roof. Remove existing plugs in the rear and the middle above the sliding door of the van to expose threaded embosses.

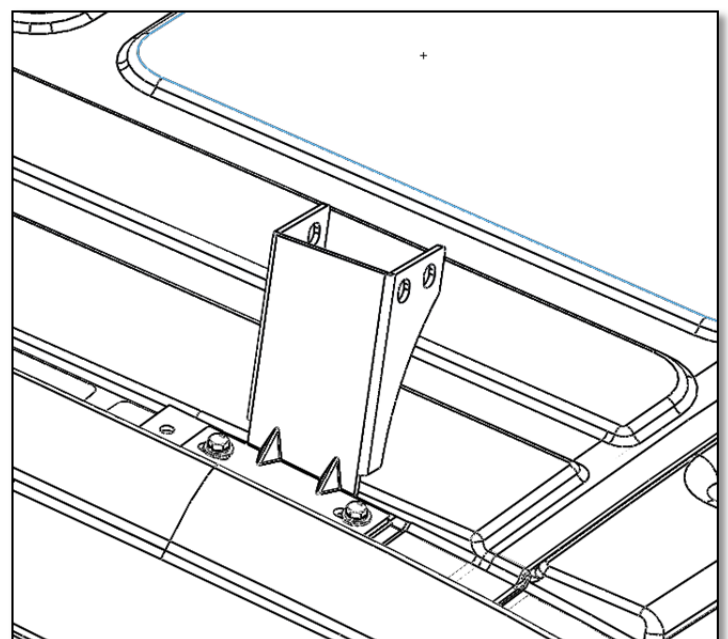
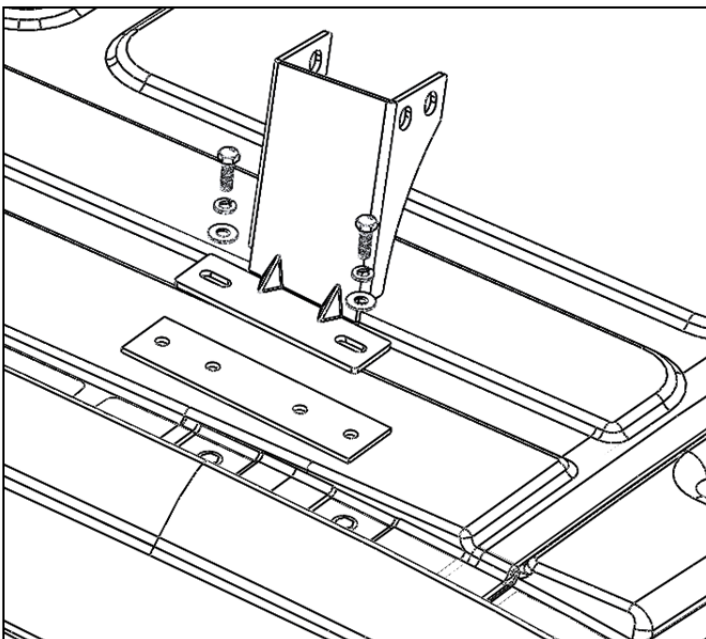


4090M Kit on Metris

Locate front mounting bosses on your Metris, remove plugs. Attach the mounting feet that come in the 80080 kit using 2 M6x20mm bolts(aa) with lock washers(bb), flat washers(cc) and rubber pads(dd). Shown mounted in the 2nd set of holes from the front on the van.



Locate rear mounting bosses on your Metris, remove plugs. Attach the mounting feet 80080-10-011 using 2 M6x20mm bolts(aa) with lock washers(bb), flat washers(cc) and rubber pads(dd). Feet should be vertical when done. Then place assembled ladder rack onto roof of van. Have the tapered sides facing towards the front to the van.

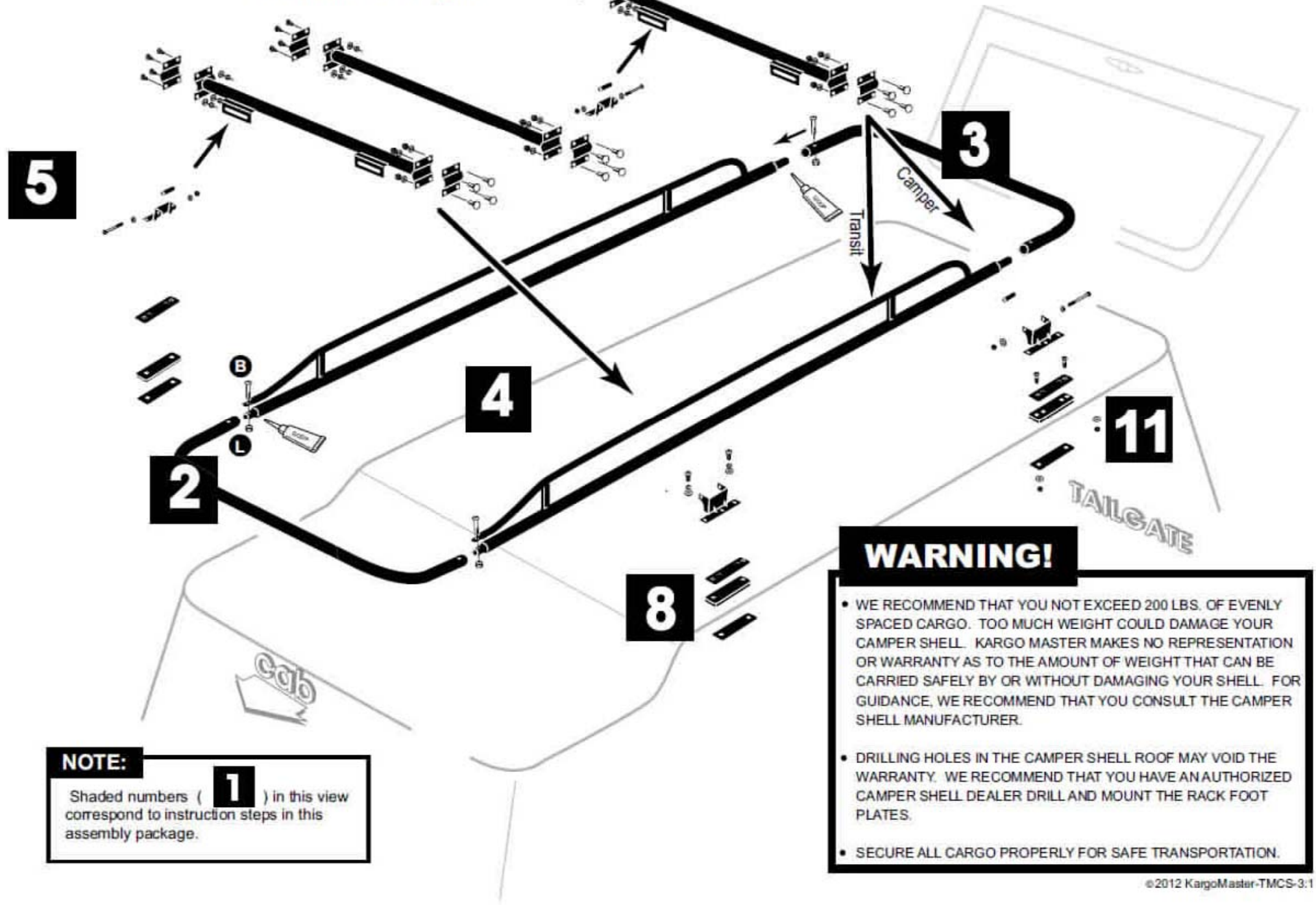




ASSEMBLY INSTRUCTIONS

Read all instructions carefully and follow each step in proper sequence for ease and speed in assembling your KARGO-MASTER RACK. See below for nuts and bolts diagram.

80080 Top Mount Ladder Rack



5

2

4

8

3

11

1

NOTE:

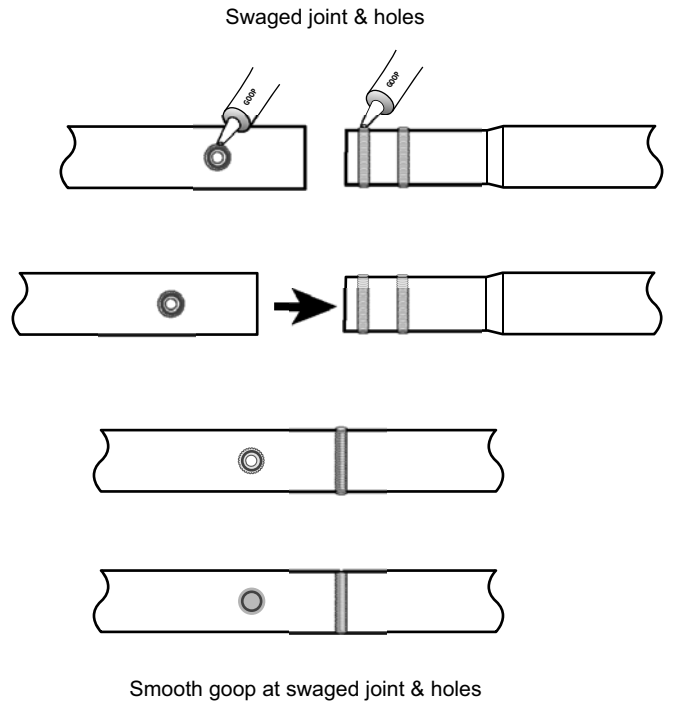
Shaded numbers (1) in this view correspond to instruction steps in this assembly package.

WARNING!

- WE RECOMMEND THAT YOU NOT EXCEED 200 LBS. OF EVENLY SPACED CARGO. TOO MUCH WEIGHT COULD DAMAGE YOUR CAMPER SHELL. KARGO MASTER MAKES NO REPRESENTATION OR WARRANTY AS TO THE AMOUNT OF WEIGHT THAT CAN BE CARRIED SAFELY BY OR WITHOUT DAMAGING YOUR SHELL. FOR GUIDANCE, WE RECOMMEND THAT YOU CONSULT THE CAMPER SHELL MANUFACTURER.
- DRILLING HOLES IN THE CAMPER SHELL ROOF MAY VOID THE WARRANTY. WE RECOMMEND THAT YOU HAVE AN AUTHORIZED CAMPER SHELL DEALER DRILL AND MOUNT THE RACK FOOT PLATES.
- SECURE ALL CARGO PROPERLY FOR SAFE TRANSPORTATION.

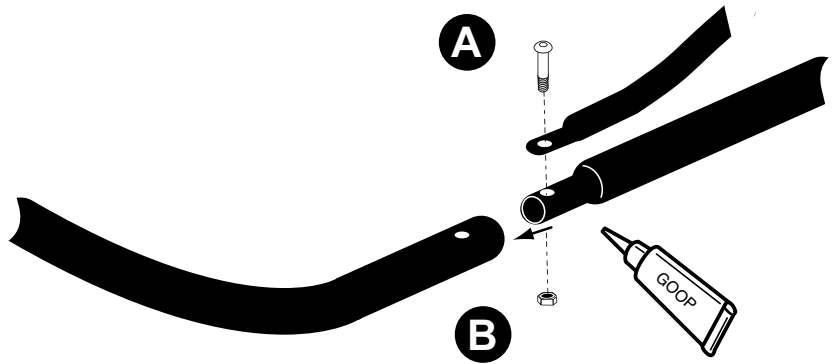
GOOP APPLICATION

Apply a healthy air tight bead of goop around **every** swaged joint as shown, to prevent moisture from leaking into and out of the joint. If this is not done properly, the inside surface of the tubes can rust and rusty water can leak out. Maintain this joint seal throughout the life of your rack.



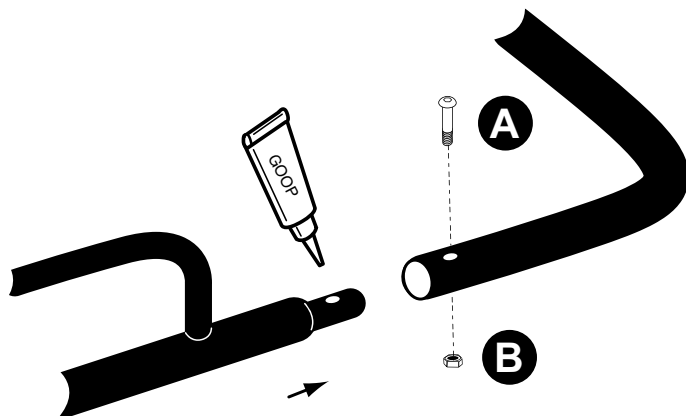
STEP 1

#1 = Cover entire swedge joints with goop and slide FRONT U- BAR onto side rails and bolt together with bolts **A**, and jam nut **B**.



STEP 2

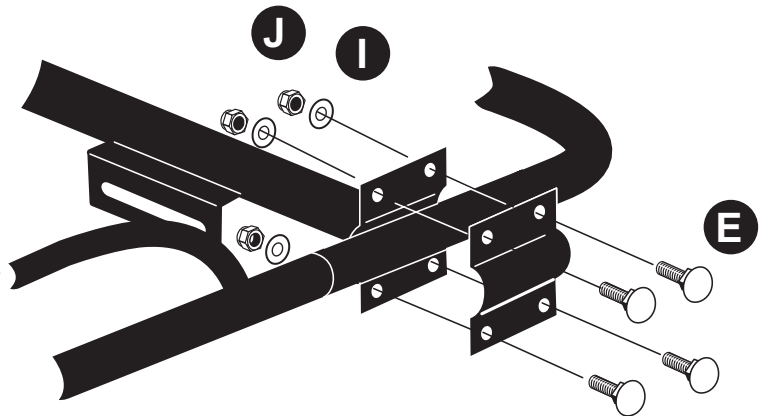
#1 = Cover entire swedge joints with goop and slide REAR U- BAR onto side rails and bolt together with bolts **A**, and jam nut **B**.



STEP 3

#1 = Position rear cross bar and adjust the cross bar bolt until mounting bracket aligns with van roof top bracket.

#2 = Attach the rear U bar to the side channel. Loosely bolt clamp plates together with bolts E, washer I and lock nut J.

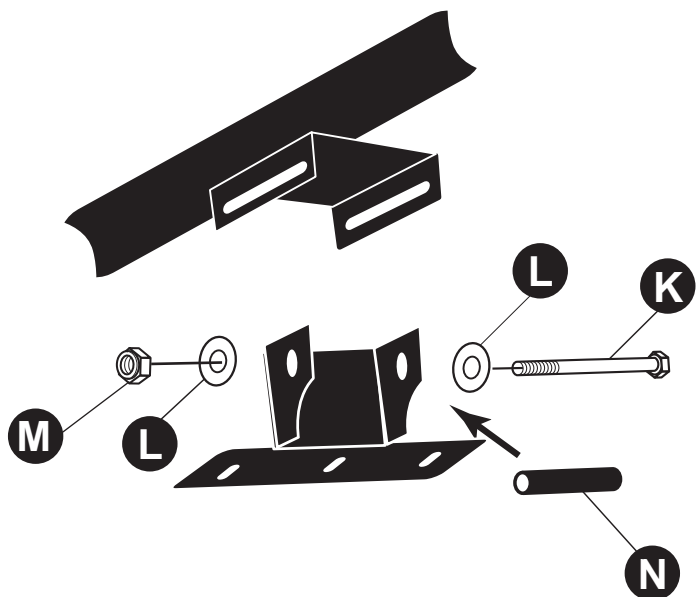


STEP 4

#1 = There are 4 mounting feet in your box. There are 4 identical feet.

#2 = Position the feet bracket into the slider brackets on the cross bars.

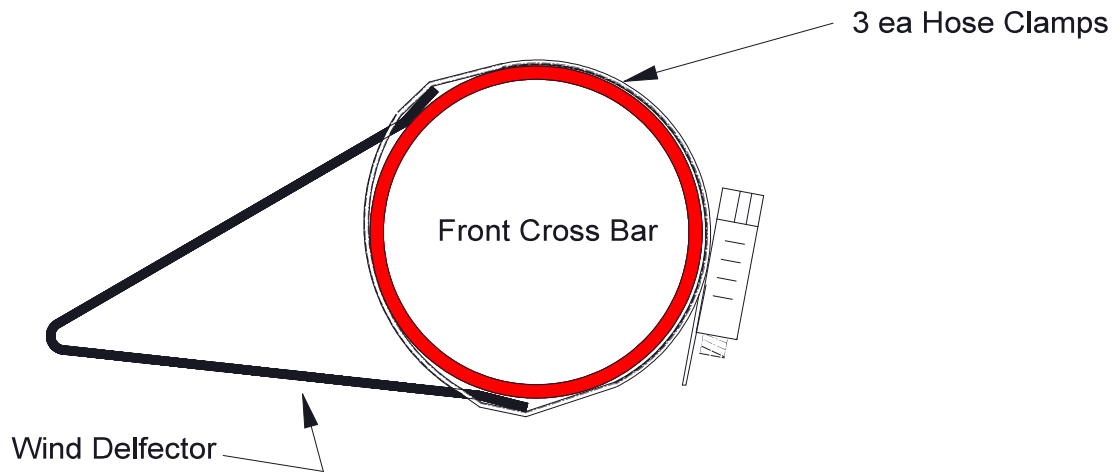
#3 = Place the spacer N inside the mounting brackets. Loosely bolt the feet to slider brackets using bolts K, washers L and lock nuts M.





For Technical Support Call 800-343-7486

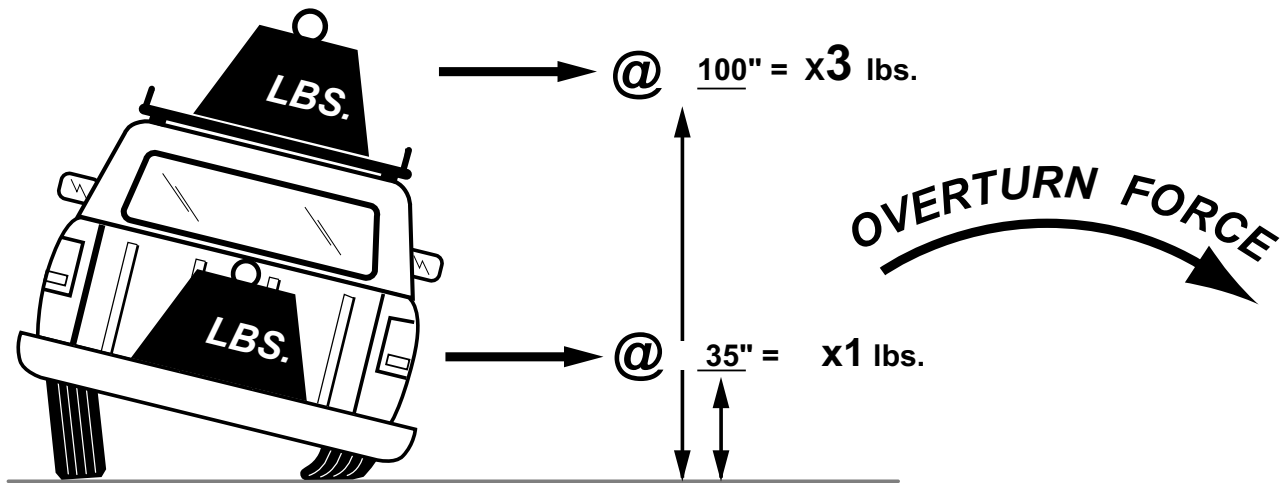
Wind Deflector
31570 Black
31572 Silver



Ensure all nuts & bolts are tighten down and **THAT'S IT!** You are now ready to use your rack.

DON'T OVERLOAD YOUR VEHICLE!

TMCS_3:1



WEIGHT CARRIED ABOVE THE FLOOR OF THE TRUCK BED (E.G. ON AN OVERHEAD TRUCK RACK) WILL SIGNIFICANTLY INCREASE THE VEHICLE'S TENDENCY TO OVERTURN. ALWAYS KEEP HEAVY LOADS EVENLY DISTRIBUTED AND AS LOW AS POSSIBLE. IT IS IMPORTANT TO NOTE THAT THE KARGO MASTER RACK LOAD BEARING CAPACITY MAY BE GREATER THAN YOUR TRUCK'S GAWR OR GVWR CAPACITY, AND IS PROBABLY GREATER THAN THE WEIGHT THAT CAN BE SAFELY CARRIED OVERHEAD.