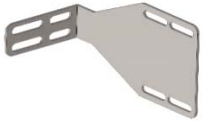


4832A Installation Sheet

Part List



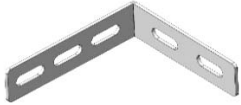
(1) 4016A-43-003 Qty 1-



(2) 4016A-43-002 Qty 1-



(3) 4016A-43-001 Qty 2-



(4) 4016A-10-005 Qty 1-



(5) 4016A-43-004L Qty 1-



(6) 4016A-43-004R Qty 1-



(7) 4016A-43-006 Qty 1-

Mounting Bolt Kit

(A) Qty 2 - M10 x 25mm Hex Bolt		(K) Qty 6 - 1/4"-20 Nyloc Nut	
(B) Qty 4 - M10 Lock Washer		(M) Qty 2 - 1/4" Lock Washer	
(C) Qty 6 - M10 Flat Washer		(N) Qty 1 - 5/16" x 3/4" Self Tapping Bc	
(D) Qty 4 - 5/16" x 3/4" Carriage Bolt		(O) Qty 2 - M8 x 25mm Hex Bolt	
(E) Qty 4 - 5/16" Flat Washer		(P) Qty 1 - M8 x 45mm Hex Bolt	
(F) Qty 4 - 5/16"-18 Nylock Nut		(Q) Qty 1 - M8 Nyloc Nut	
(G) Qty 4 - 3/8" Nylon Spacer		(R) Qty 2 - M6 x 25mm Hex Bolt	
(I) Qty 6 - 1/4"-20 x 7/8" Hex Bolt		(S) Qty 2 - 5/16 x 1.25" Self-tapping screws	
(J) Qty 14 - 1/4" Flat Washer		(T) Qty 2 - 3/8"-16 x 1" Carriage Bolt	
(H) Qty 2- 3/8"-16 Nylock Nut		(U) Qty 3- 5/16" Lock Washer	

For TECHNICAL SUPPORT Call: 800-343-7486 Monday - Friday 7:00 A.M. to 4:00 P.M (PST)



4832A Installation Instructions for Ford Transit Connect

Step 1

- Assemble 4832A
- Instructions are for Passenger side of vehicle. Mirror instructions if installing on Driver side.



D-Ring location

Step 2

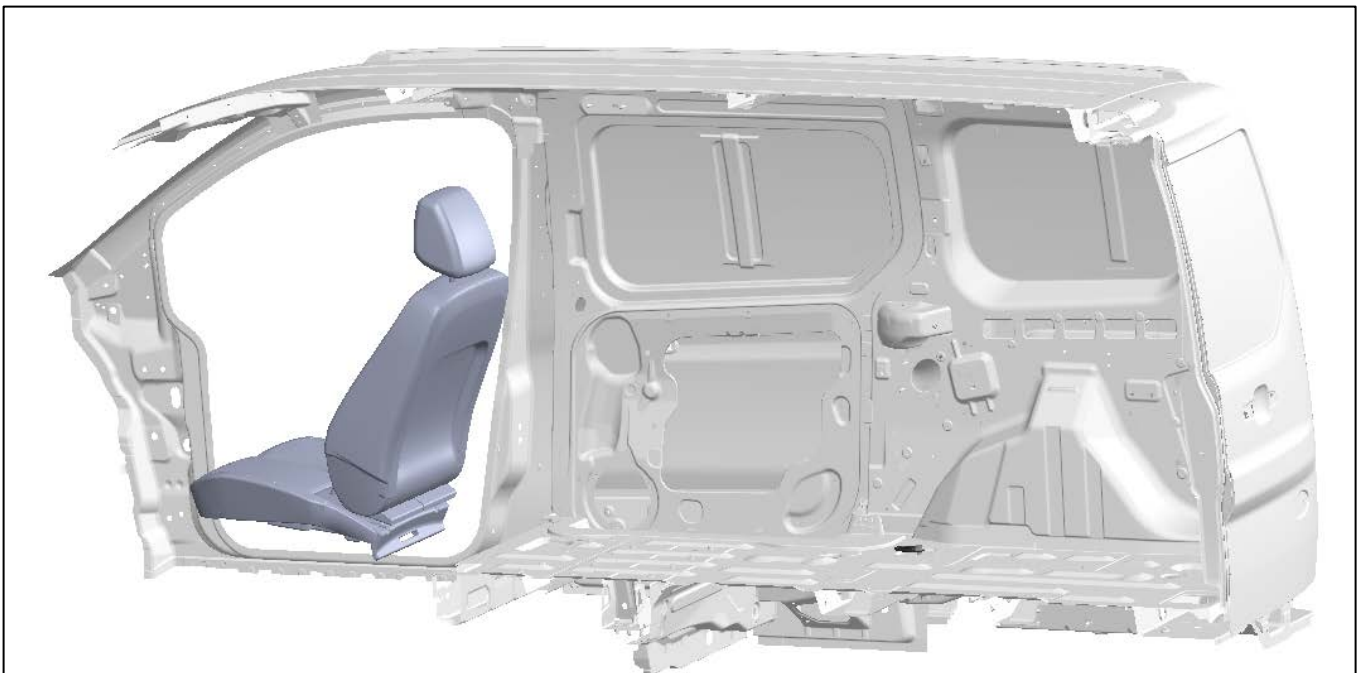
- Remove D-Ring from floor of van located on the passenger side near the sliding door.

** Keep Bolt



Step 3

- Locate weldnut in "C" pillar behind the sliding door.

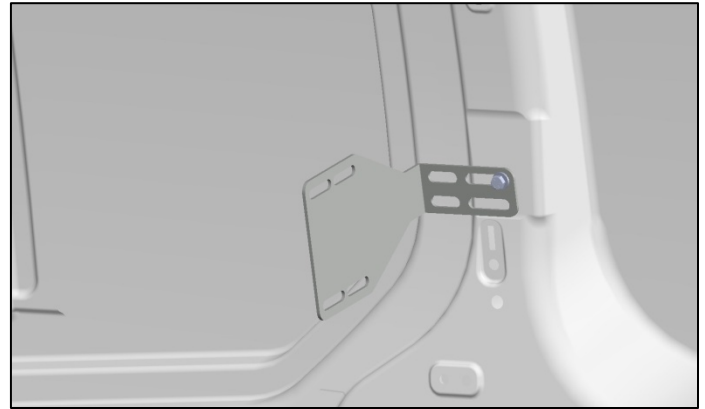
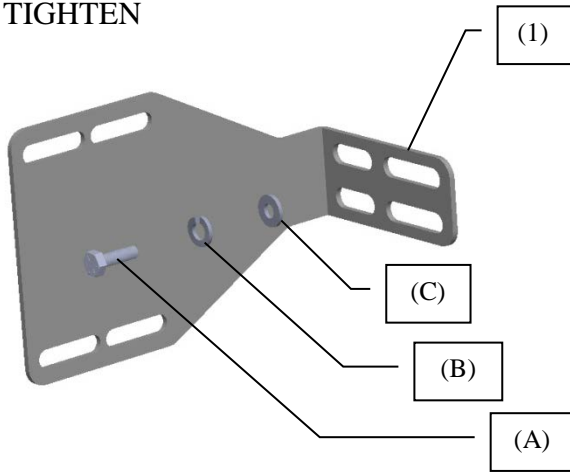


Step 4

- Bolt 4016A-43-003 (1) to the weldnut found in previous step using one M10 hex head bolt (A), one M10 lock washer (B) and one M10 flat washer (C).

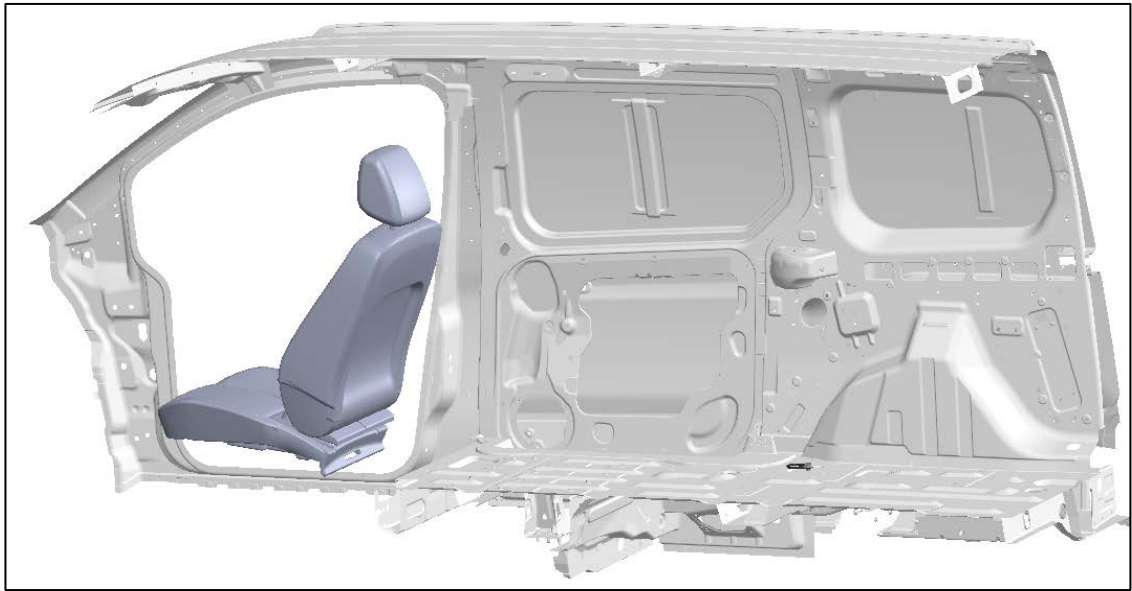
*Typical installs use the bottom-right slot in the bracket to mount to the "C" pillar. Be sure to have the flange towards the sliding door.

**SNUG TIGHTEN



Step 5

- Locate weldnut in "D" pillar in the rear of the van. This is accessed through the rear doors. The weldnut is located halfway up the "D" pillar.

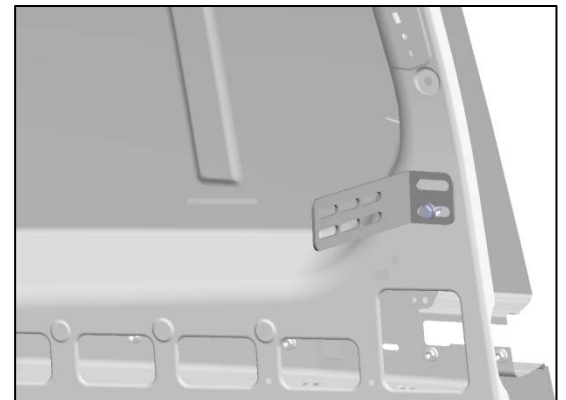
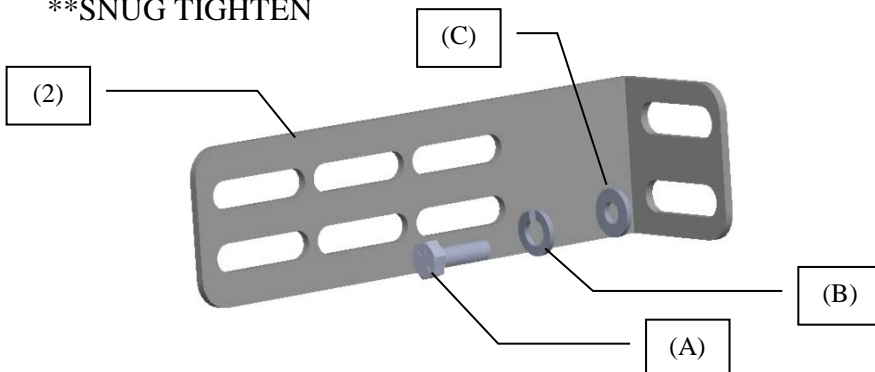


Step 6

- Bolt 4016A-43-002 (2) to the weldnut found in previous step using one M10 hex head bolt (A), one M10 lock washer (B) and one M10 flat washer (C).

*Typical installs use the bottom slot in the bracket. Be sure to have the 6 slot face towards the inside of the vehicle.

**SNUG TIGHTEN

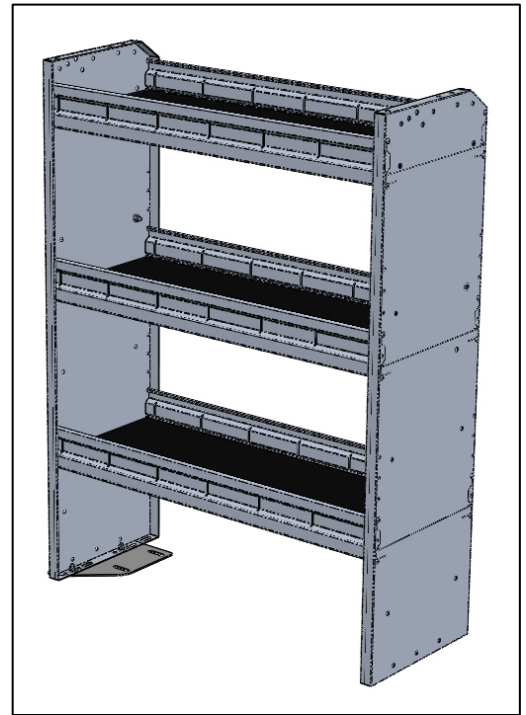
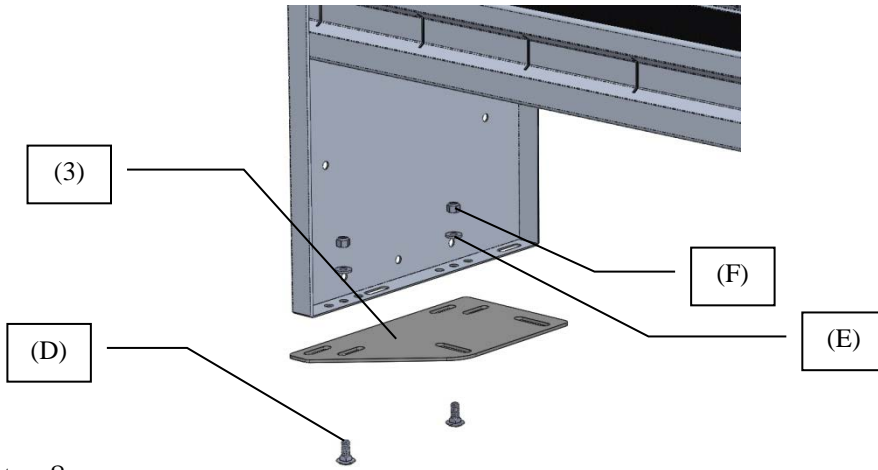


Step 7

- Bolt 4016A-43-001 (3) to the bottom of the shelf siding using two 5/16" carriage bolts (D), two 5/16" flat washers (E) and two 5/16" NYLOC nuts (F).

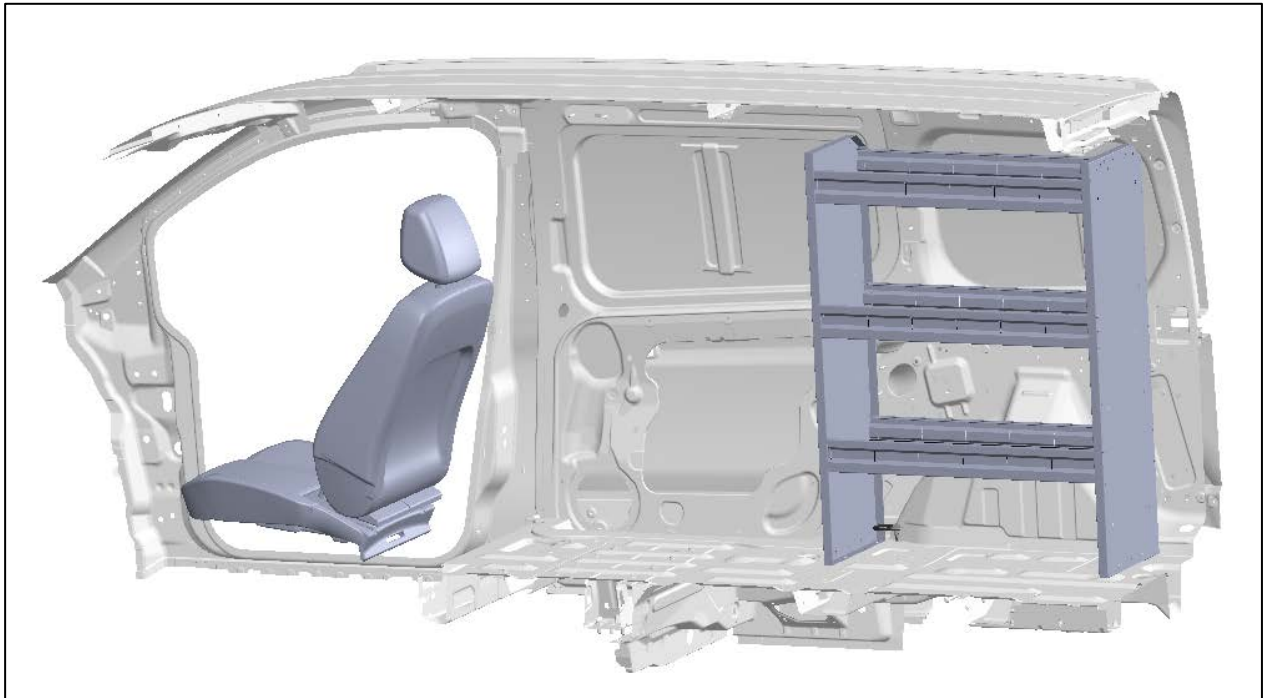
*Use the inside slots to mount to shelf. Be sure the orientation is as shown in the image.

SNUG TIGHTEN



Step 8

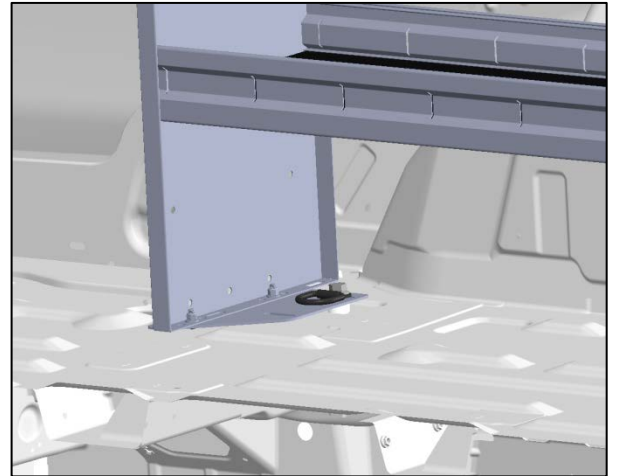
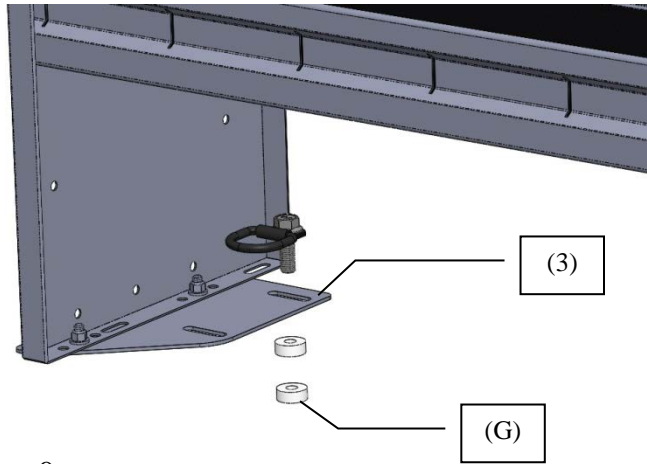
- Place shelf into passenger side of vehicle. The previously installed bracket (4016-43-001) will line up with the D-Ring from Step 2.



Step 9

- Bolt shelf to floor using the D-Ring removed in step 2.
- Bolt through the rear most slot in bracket (4016A-43-001) (3).
- Place two nylon spacers (G) in between bracket and floor.

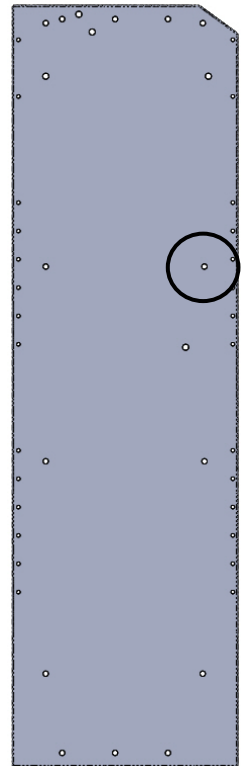
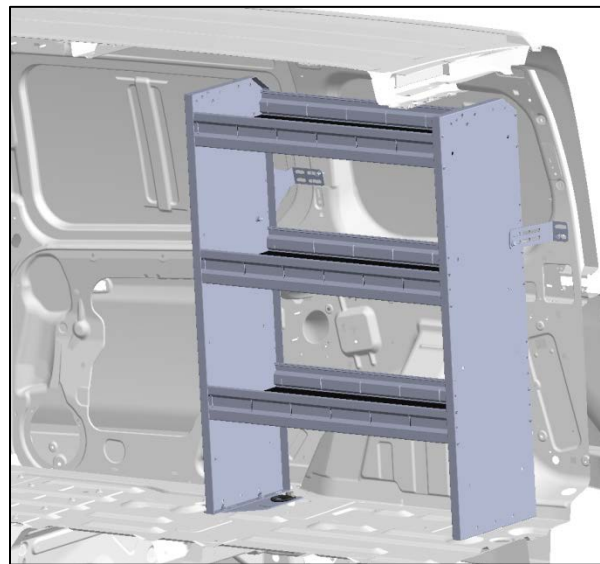
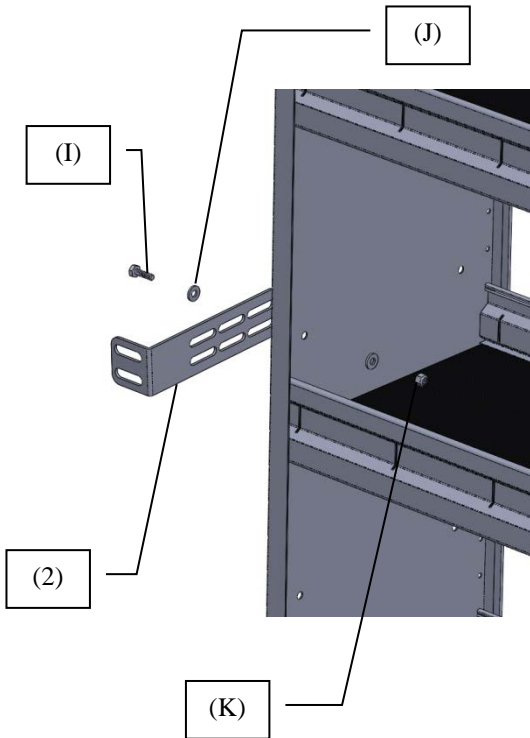
SNUG TIGHTEN



Step 9

- Bolt bracket 4016A-43-002 (2) to the rear of the shelf using one 1/4" x 7/8" hex bolt (I), two 1/4" flat washers (J) and one 1/4" NYLOC nut (K).
- Bolt through the 2nd from the top hole, closest to the tapered corner. (see picture)
*Typical installation uses the bottom-left most slot on the bracket.

SNUG TIGHTEN

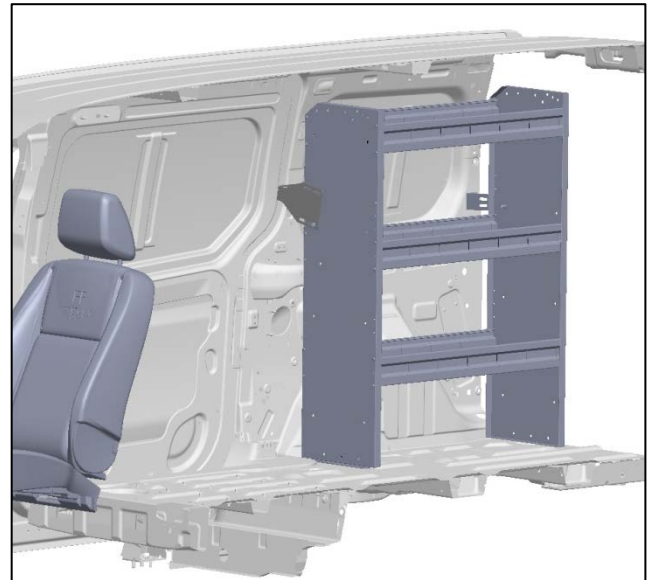
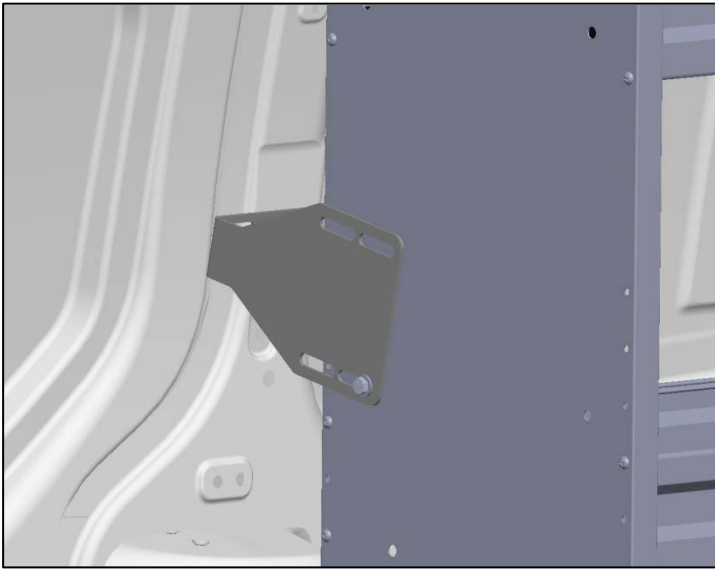
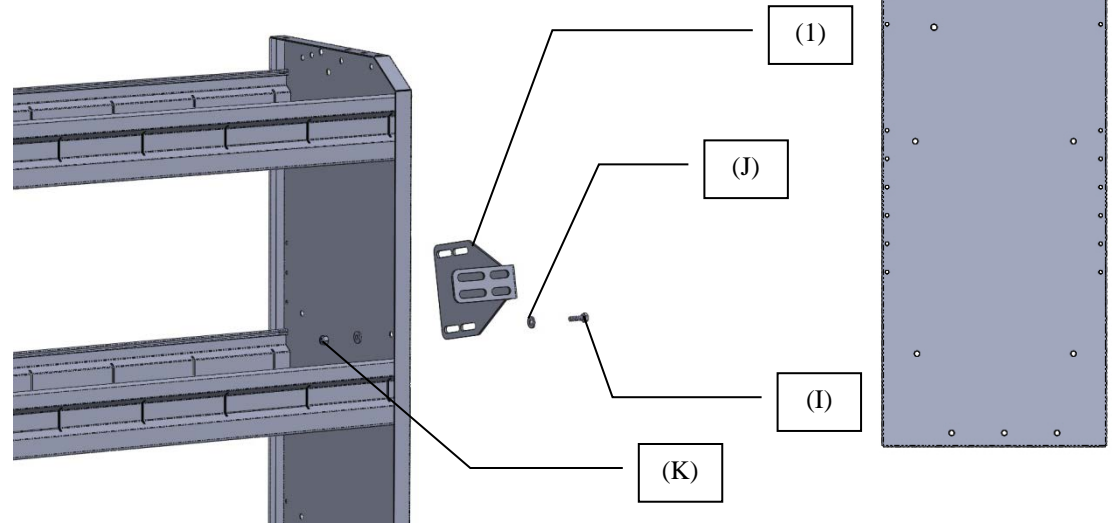


Step 10

- Bolt bracket 4016A-43-003 (1) to the rear of the shelf using one 1/4" x 7/8" hex bolt (I), two 1/4" flat washers (J) and one 1/4" NYLOC nut (K).
- Bolt through the 2nd from the top hole, closest to the tapered corner on the shelf. (see picture)

*Typical installation uses the bottom-right most slot on the bracket.

SNUG TIGHTEN

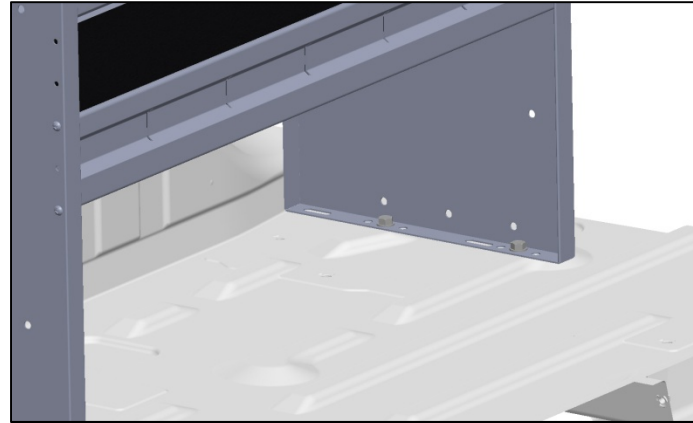


Step 11

- Align and position shelf to your liking.
- Go back and tighten all bolts.

Step 12

- We recommend securing the rear shelf panel to the floor using two self-tapping screws(S) provided in the hardware kit. (see picture)



Your installation is now complete.



4832A Installation Instructions for NV200 / City Express

Step 1

Assemble 4832A

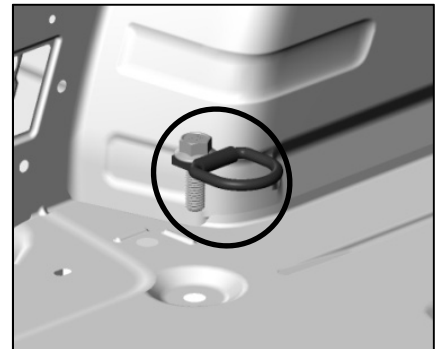
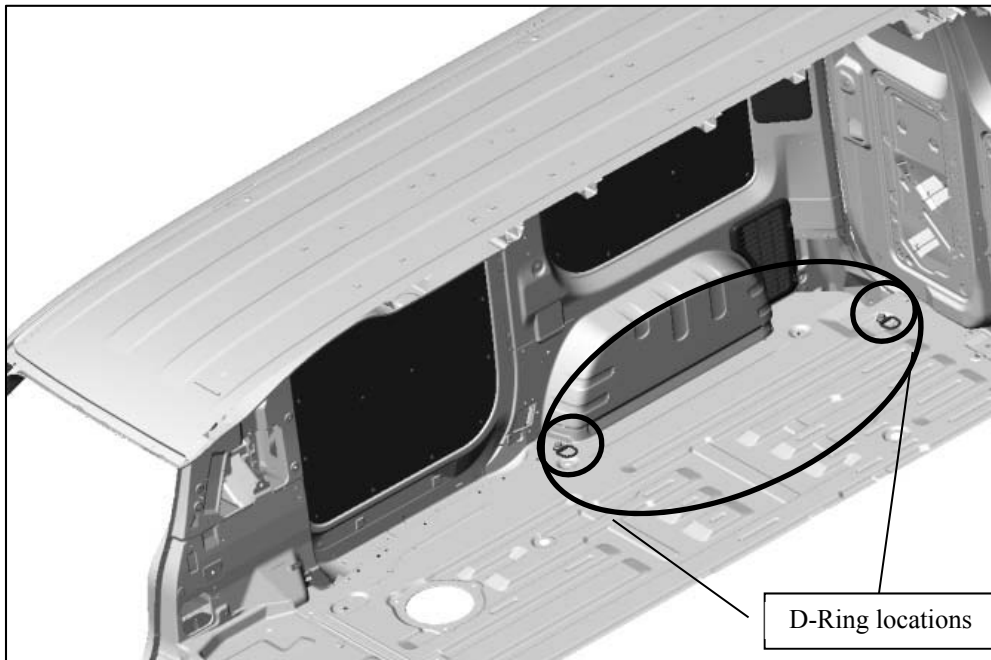
Instructions are for Passenger side of vehicle. Mirror instructions if installing on Driver side.



Step 2

Remove D-Rings from floor of van located on the passenger side near the sliding door and in the rear of the vehicle near the back door.

** Keep Bolt

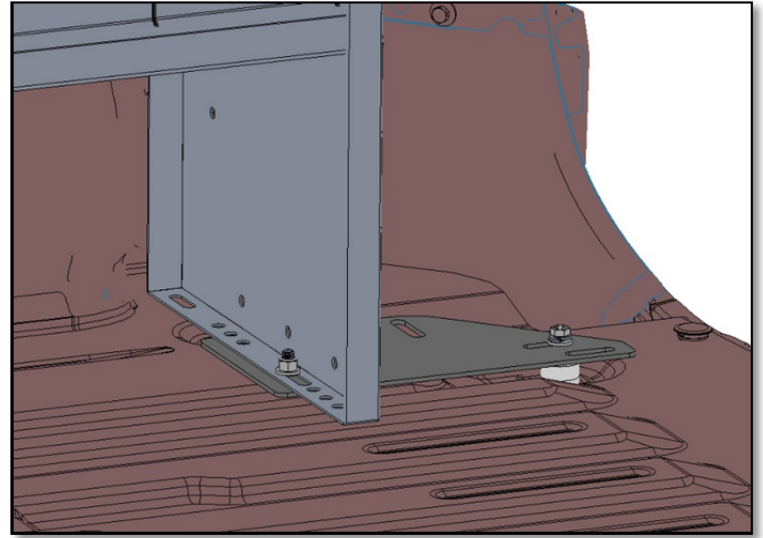
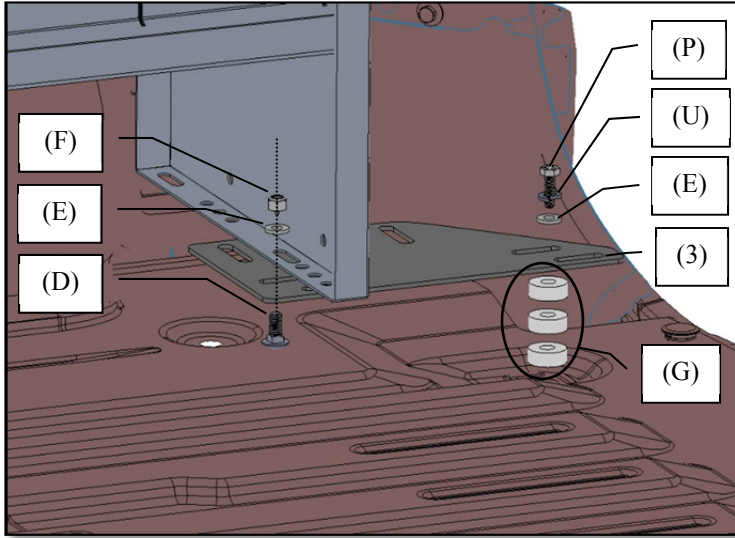


Step 3

Bolt 4016A-43-001 (3) to the bottom of the shelf panel using one 5/16" carriage bolt (D), one flat washer (E) and one 5/16" NYLOC nut (F). Place shelf into passenger side of vehicle. Bracket (4016A-43-001) will line up with the rear D-Ring mount.

Bolt rear of shelf using a M8 x 45mm hex head (P), one lock washer (U), and one flat washer (E). Place three nylon spacers (G) under the bracket as shown in the picture.

SNUG TIGHTEN



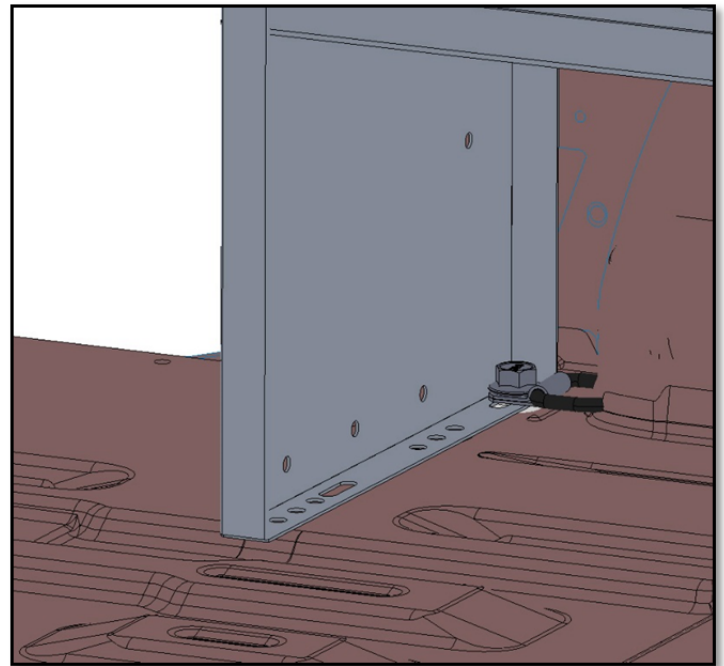
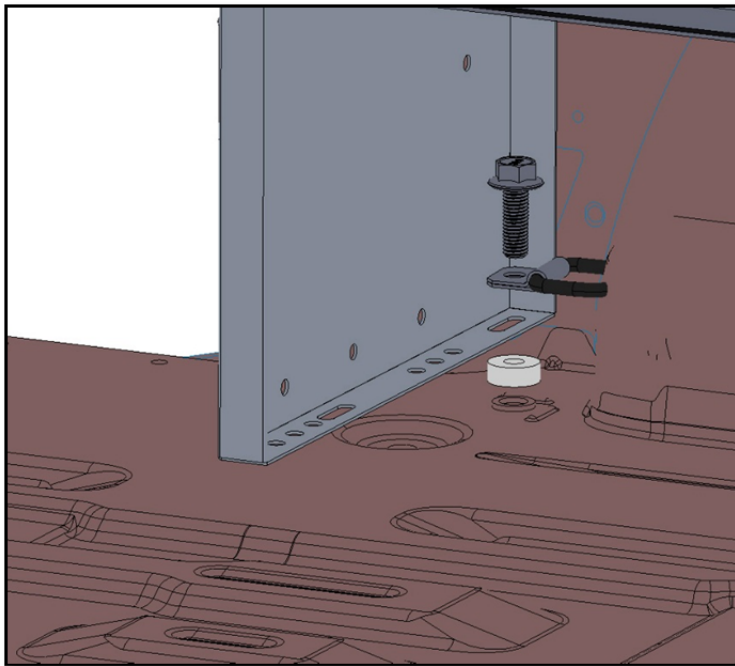
Step 4

Bolt front of shelf to floor using the D-Ring removed in step 2.

Bolt through the rear most slot in the side panel.

Place one nylon spacers (G) (if needed) in between panel and floor.

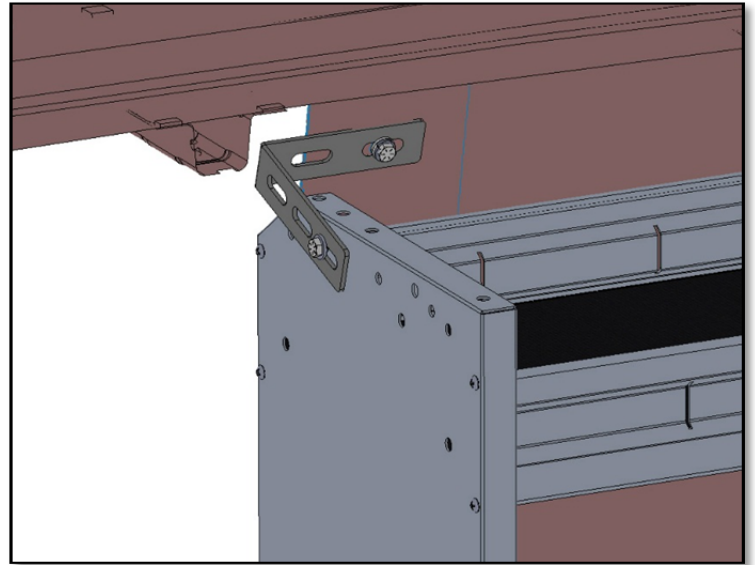
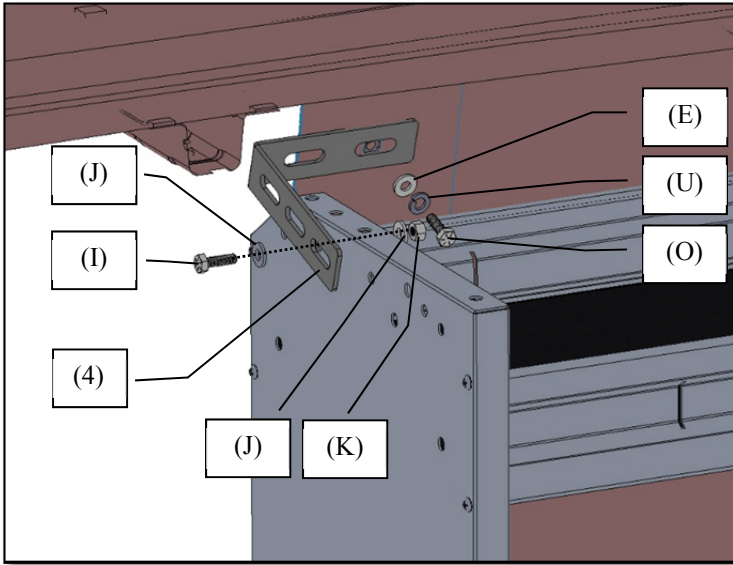
SNUG TIGHTEN



Step 5

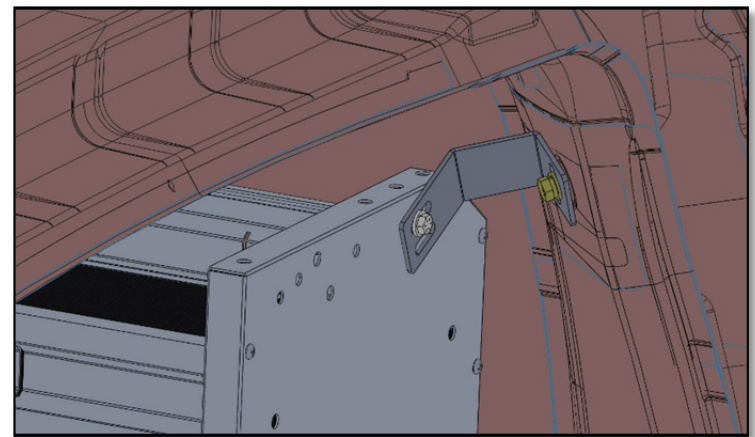
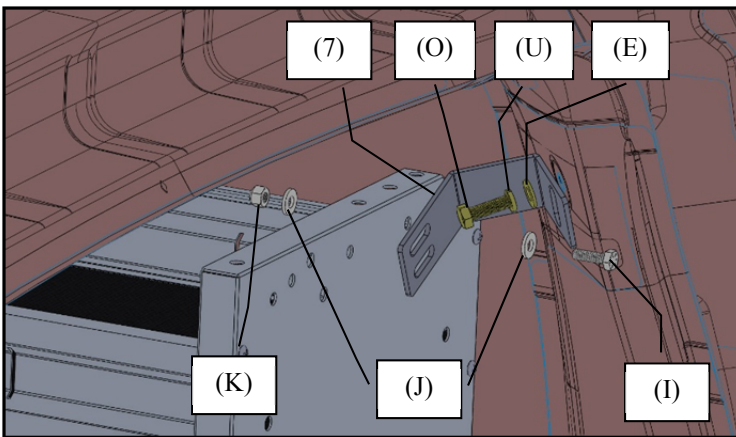
Bolt 4016A-10-005 (4) to the weldnut using one M8 hex head bolt (O), one lock washer (U) and one flat washer (E). Use the top weldnut. Bolt 4016A-10-005 (4) to the shelf using $\frac{1}{4}$ " hex head bolt (I), with two flat washers (J), and one $\frac{1}{4}$ " nylock nut (K).

****SNUG TIGHTEN**



Step 5

Bolt 4016A-43-006 (7) to the upper rear weldnut using a M8 hex head bolt (O), one lock washer (U) and one flat washer (E). Bolt 4016A-43-006 (7) to the shelf using $\frac{1}{4}$ " hex head bolt (I), with two flat washers (J), and one $\frac{1}{4}$ " nylock nut (K).

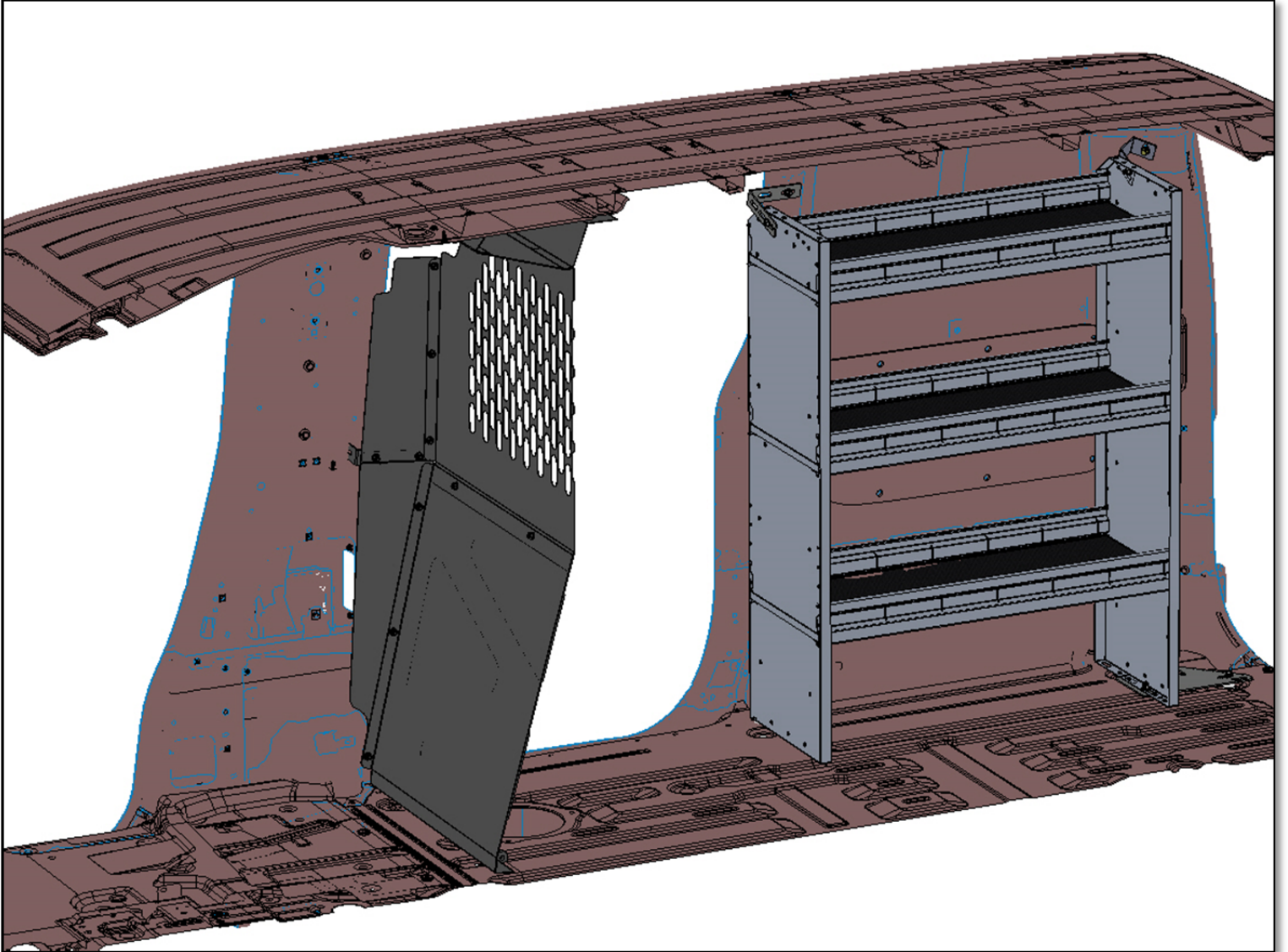


Step 11

Align and position shelf.

Go back and tighten all bolts.

Your installation is now complete.

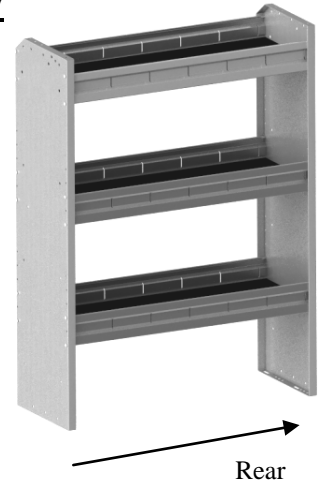




4832A Installation Instructions for Promaster City

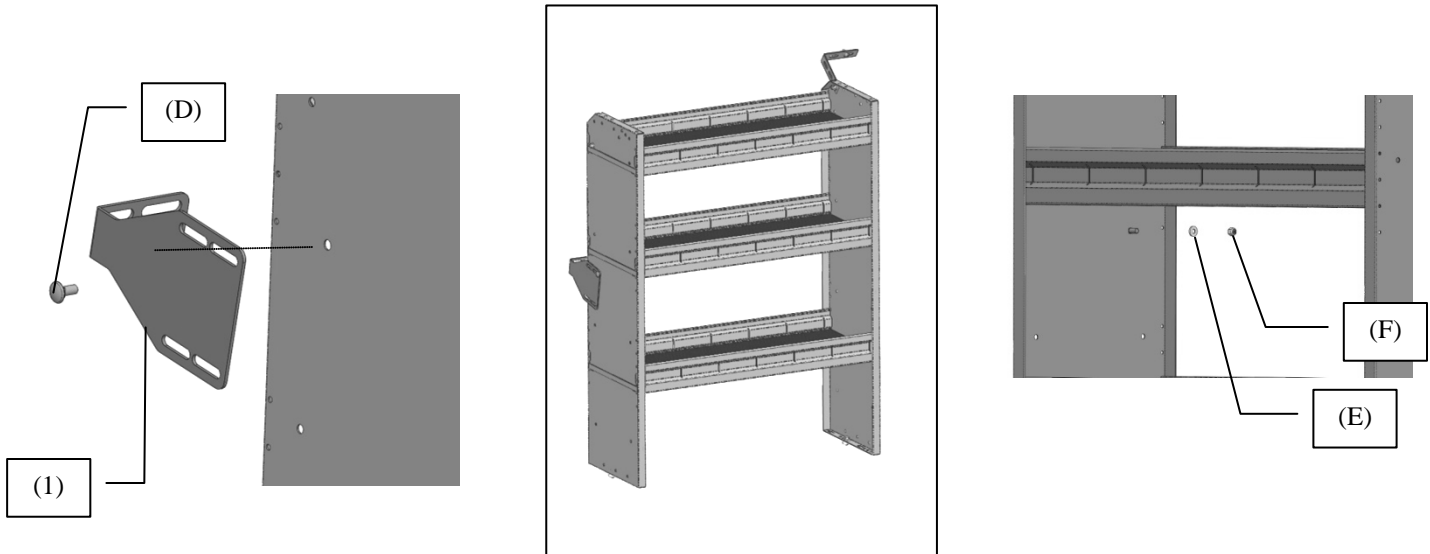
Step 1

- Assemble 4832A
- Instructions are for Passenger side of vehicle. Mirror instructions if installing on Driver side.



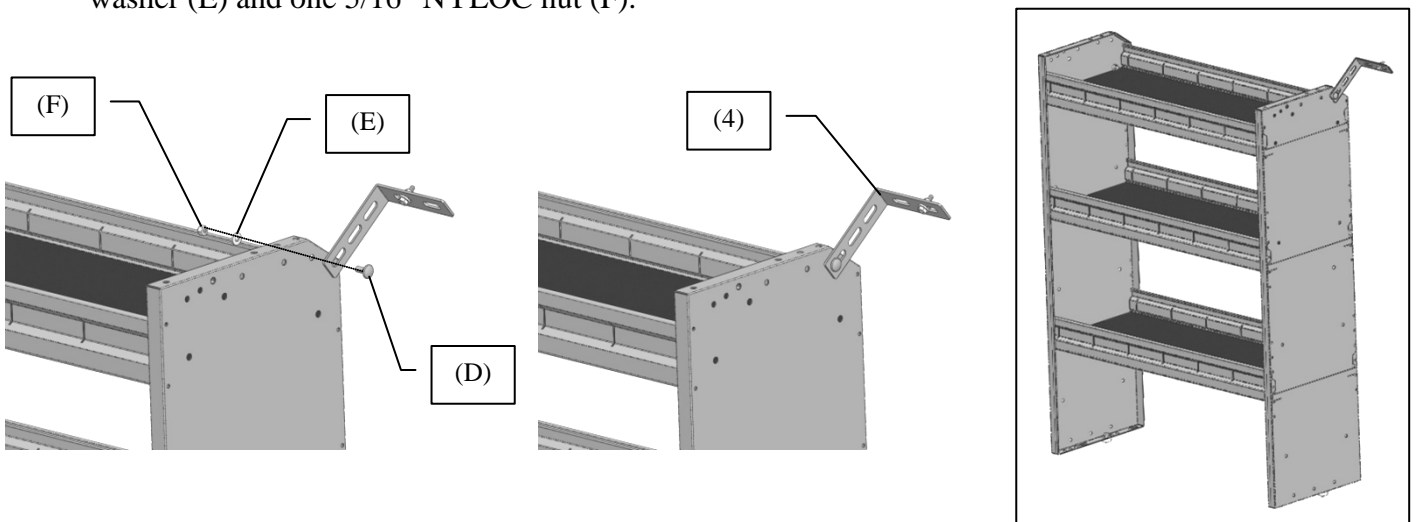
Step 2

- Bolt 4016A-43-003 (1) to side of shelf using one 5/16" carriage bolt (D), one flat washer (E) and one 5/16" NYLOC nut (F).



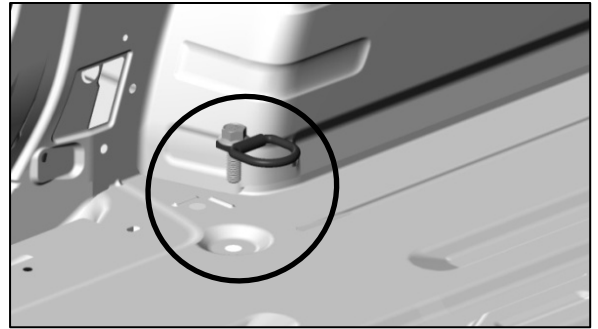
Step 3

- Bolt 4016A-10-005 (4) to the rear side panel of the shelf using one 5/16" carriage bolt (D), one flat washer (E) and one 5/16" NYLOC nut (F).



Step 2

- Remove D-Rings from floor of van located on the passenger side near the sliding door and in the rear of the vehicle near the back door.



D-Ring locations

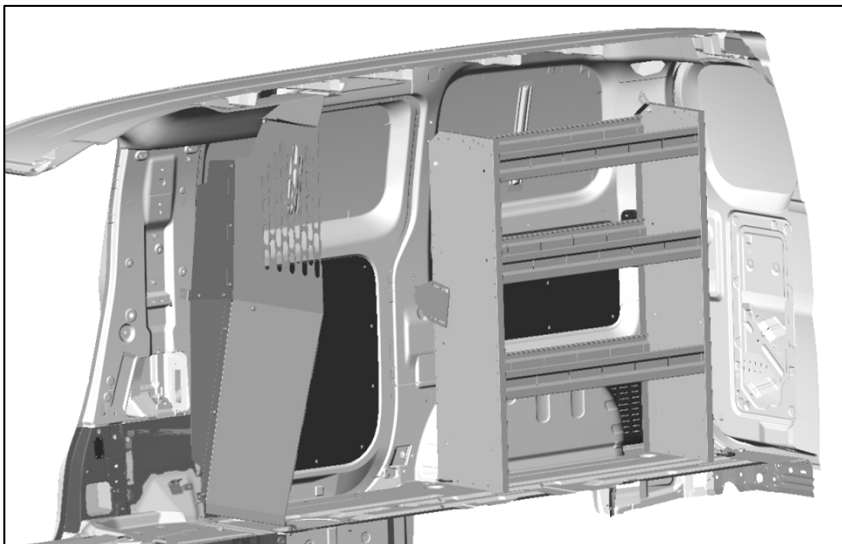
Step 3

- Locate the welded stud bolt in the side panel of the vehicle underneath the plastic cap.



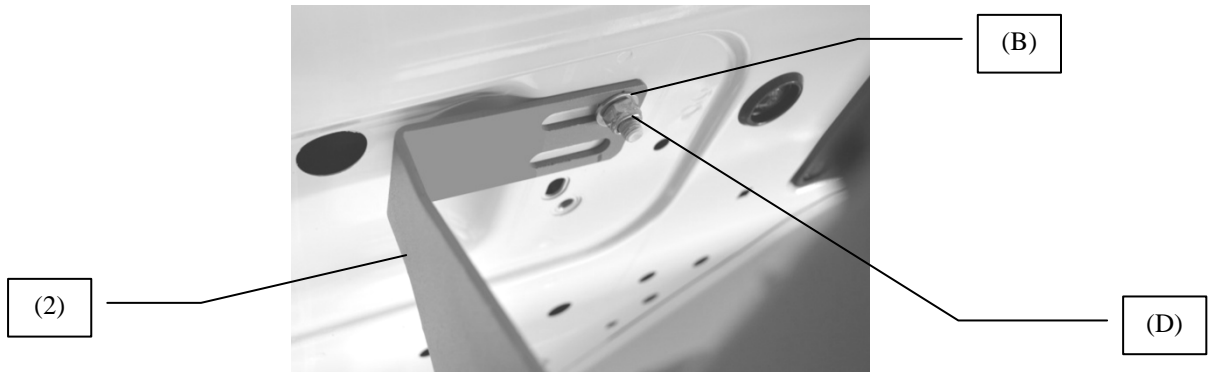
Step 4

- Place shelf assembly into passenger side of van. Be sure to have the tapered corners closest to the van wall.
- The wheel well should go in between the shelf side panels.



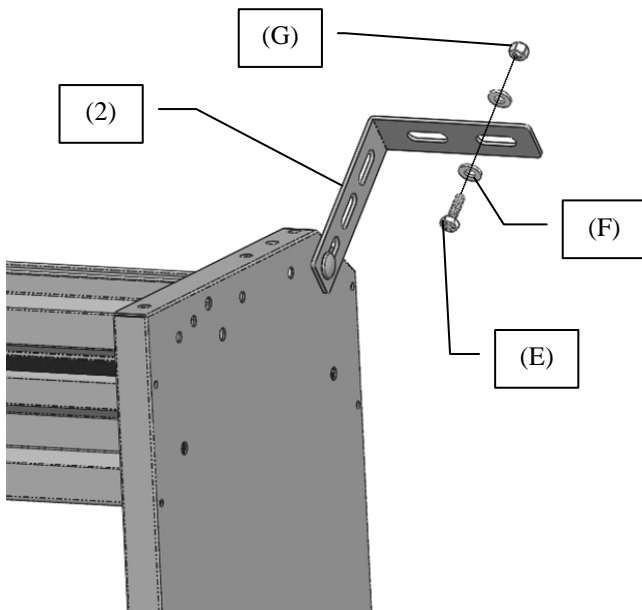
Step 5

- Mount 4016A-43-003 (2) to welded bolt in the side panel using a flat washer (E) and one M8 NYLOC nut (Q).



Step 6

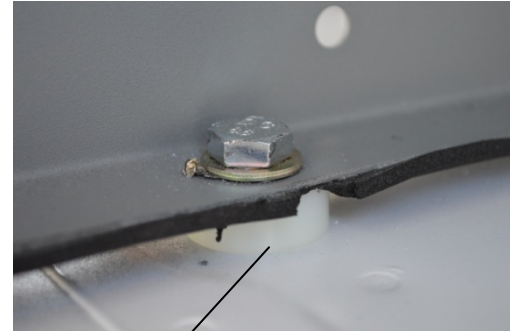
- In the rear of the van, mount 4016A-10-005 (4) to the "D" pillar. Bolt through the bracket and into a slot near the rear door. You can access the backside of mounting location. Bolt using one 1/4" x 7/8" hex bolt (I), two flat washers (J) and one 1/4"-20 NYLOC nut (K).



Steel shelf is shown. Aluminum shelf will mount the same.
** In some circumstances, different mounting slots and holes may be used to secure shelf.**

Step 7

- Secure shelf to floor by bolting through each end panel into D-Ring mounting locations. Use D-Ring bolts to mount into floor.
- Place a nylon spacer (G) in between floor and shelf panel.



(G)

Your installation is now complete



****Steel shelf shown****