



4002A Installation Sheet

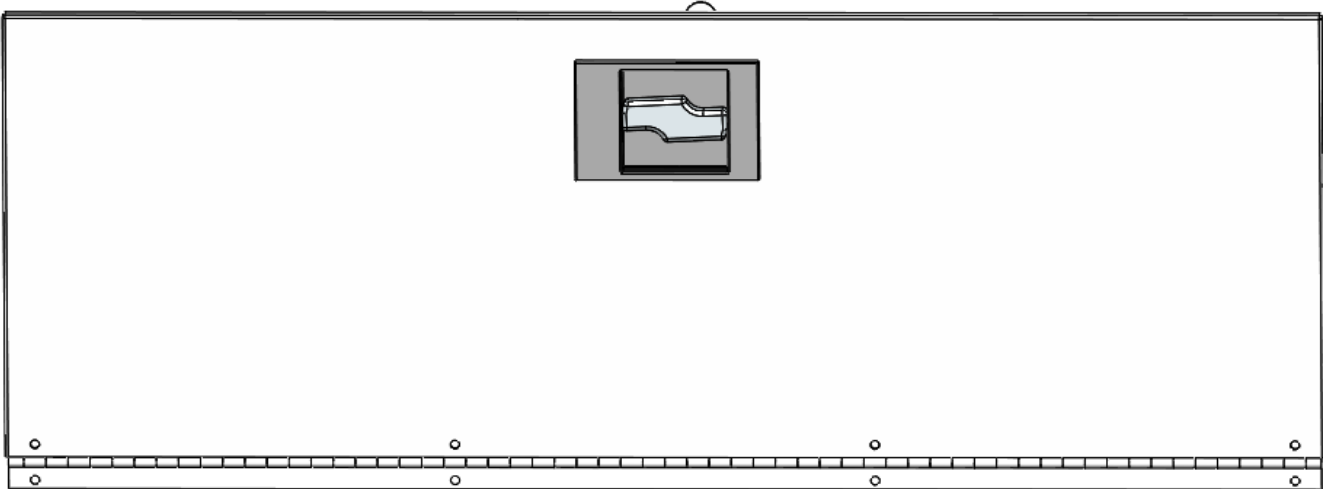
Part List



(1) Drilling Template Qty 1-



(2) Stop Bracket Qty 1-



(3) Door Assembly Qty 1-

Mounting Bolt Kit

(A)
Qty 4 -
#10 x 1/2" Screw



(B)
Qty 4 -
#10-32 Nyloc Nut

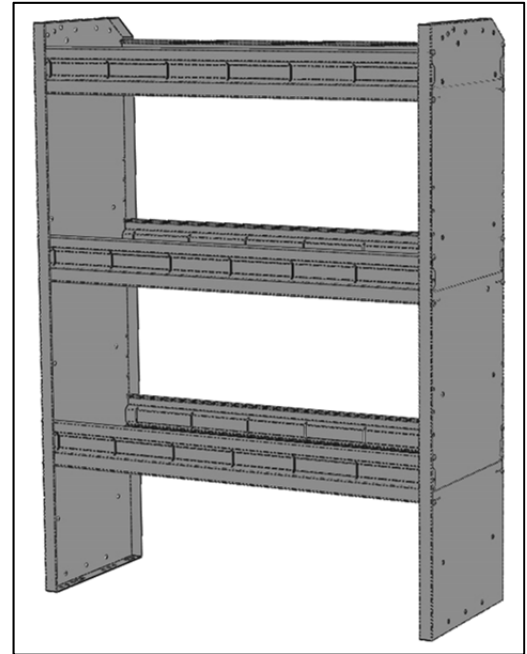
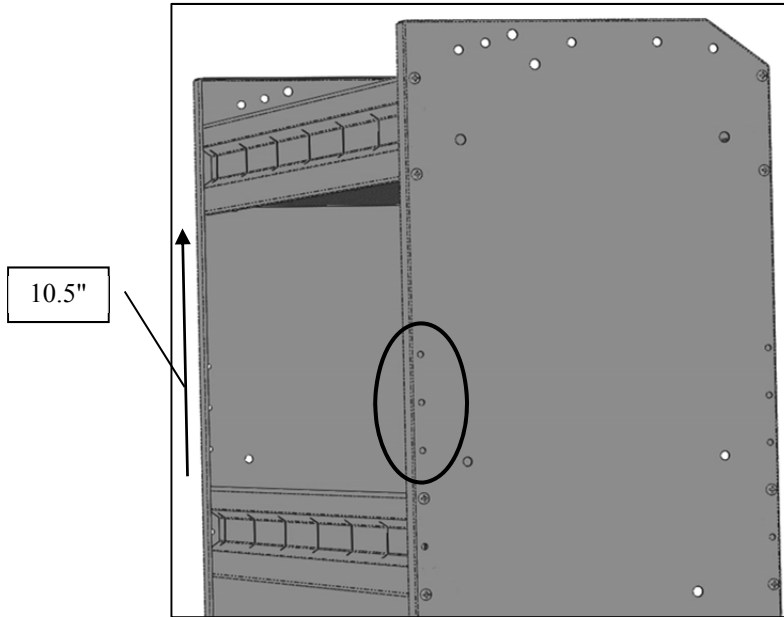




4002A Assembly Instructions

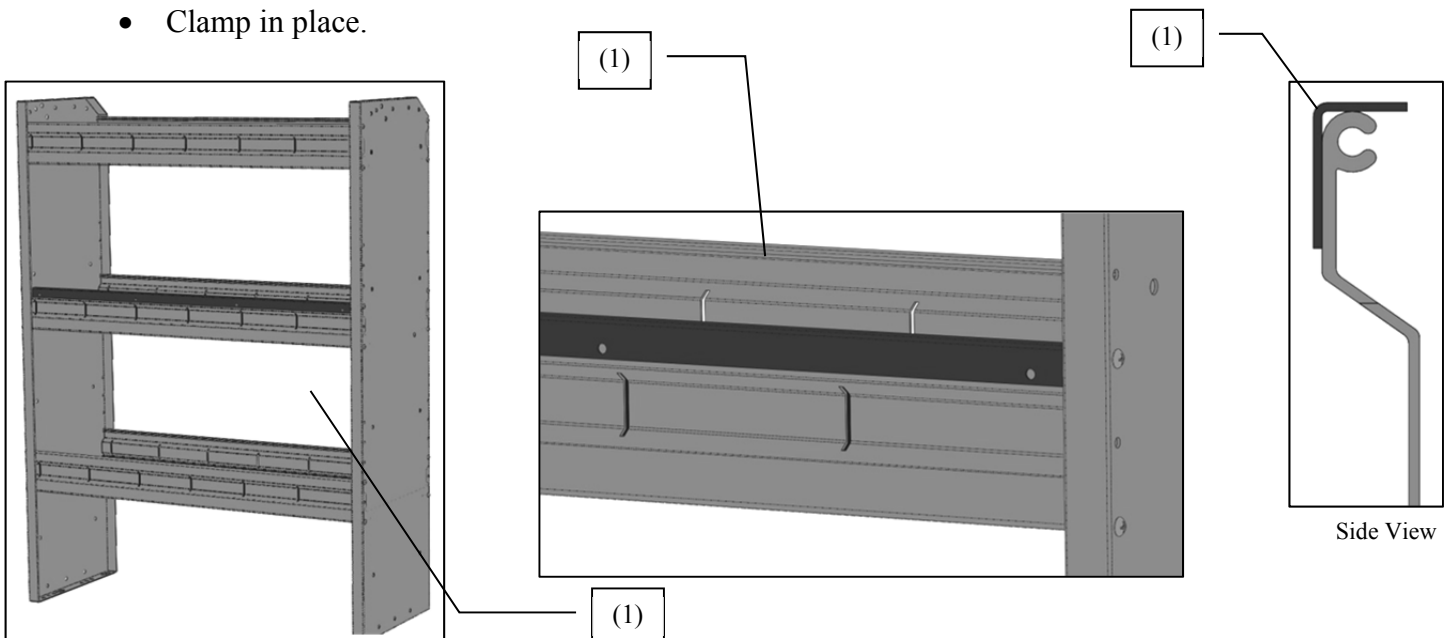
Step 1

- Be sure to have proper spacing in between shelves. The door kit can be installed in either the top or bottom opening in the shelf.
- There must be 3 empty holes or 10 1/2" in between shelves to install the door kit.



Step 2

- Pick a shelf to be the bottom of your door kit. This is where the door kit will be mounted. Place metal template (KM9042-103-R1) (1) on top of the front face of the shelf cross member.
- Be sure the metal template is sitting flush and flat to the shelf cross member with the holes on the face of the shelf.
- Clamp in place.

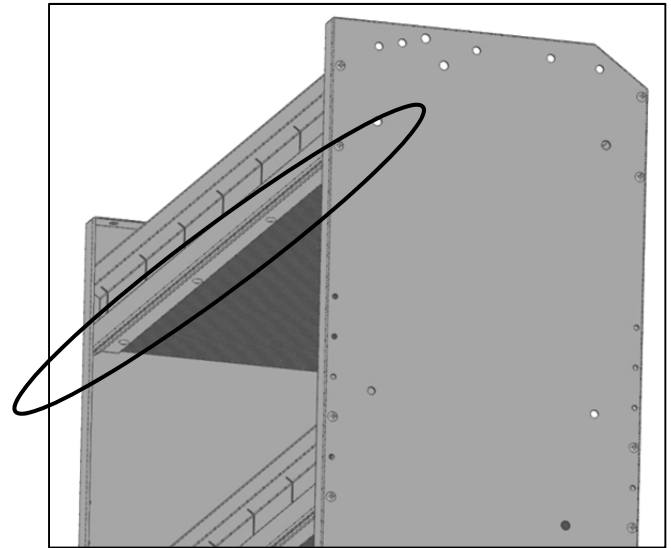
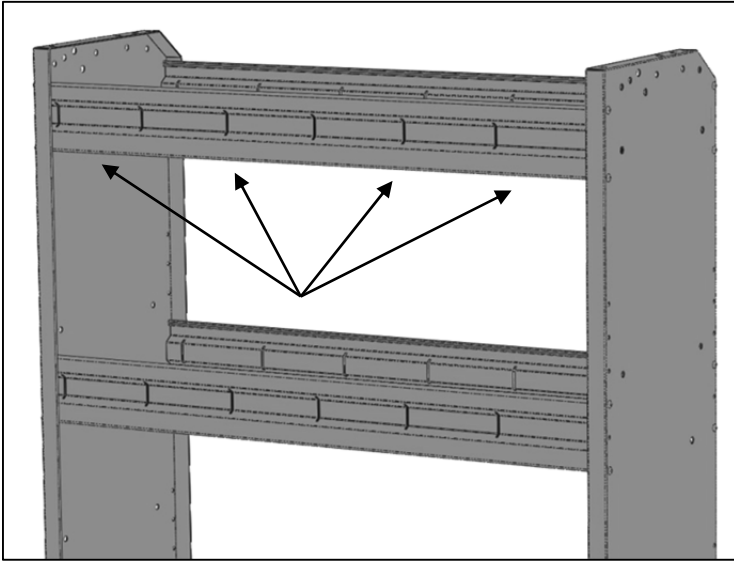


Step 3

- Using the holes on the template, use a 3/16" drill to drill through the aluminum shelf cross member.
- Remove metal template.

Step 4

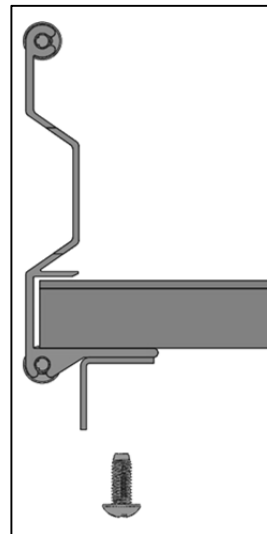
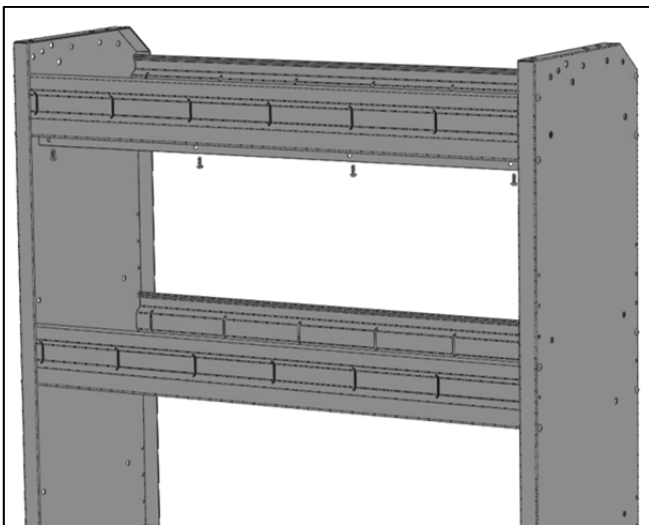
- On the shelf above where the previous holes were drilled, remove the four screws that hold the holy pan in place.



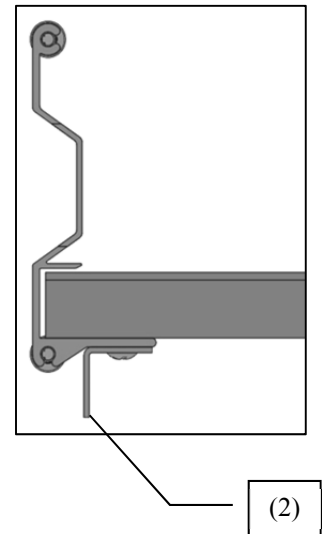
Step 5

- Insert the stop bracket (KM9042-102)(2) with the stop facing out towards the front of the shelf.
- Screw previously removed screws back into place with the stop bracket in between.

DO NOT OVER TIGHTEN SCREWS



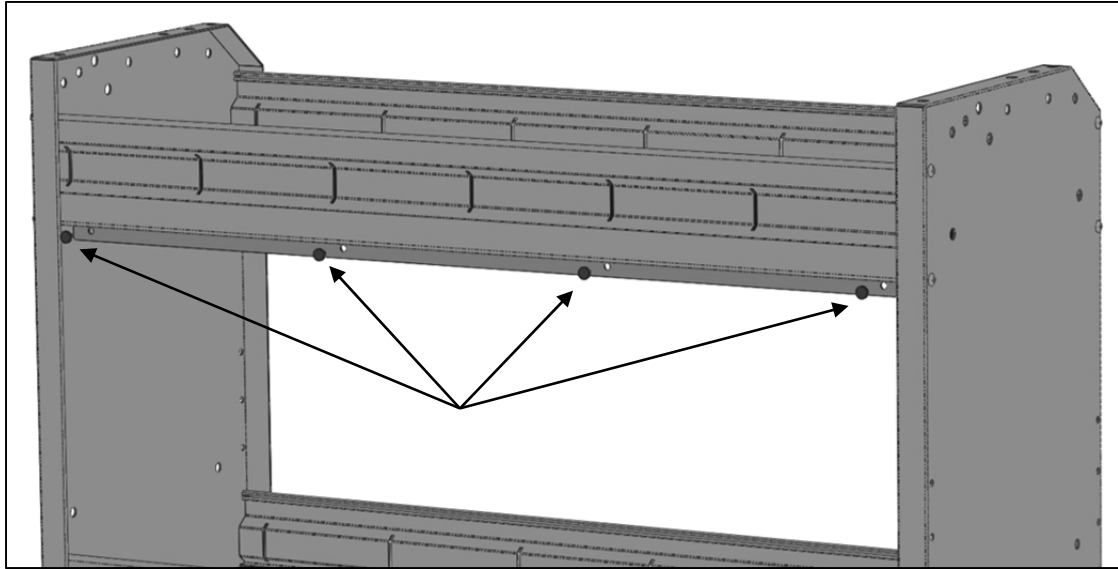
Side View



(2)

Step 6

- Install four rubber stops from the hardware kit into the stop bracket.



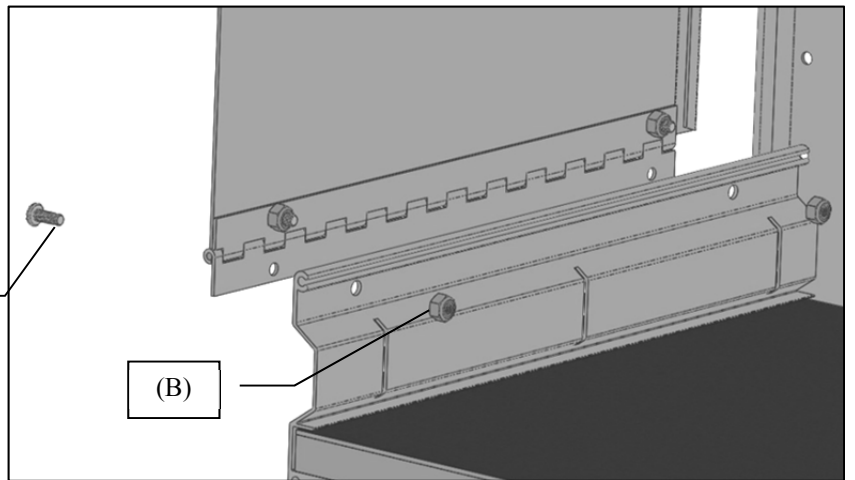
Step 6

- Bolt door assembly (KM9042-801) to previously drilled holes using four #10 x 1/2" screw (A) and four #10-32 NYLOC nuts (B).

TIGHTEN SCREWS

(A)

(B)



Your assembly is now complete

