

ASSEMBLY INSTRUCTIONS
for :

PRO-II VAN

Parts: 40870 & 40880

12_1.1

KARGO®
MASTER
www.kargomaster.com

(916) 638-8703

(800) 343-7486

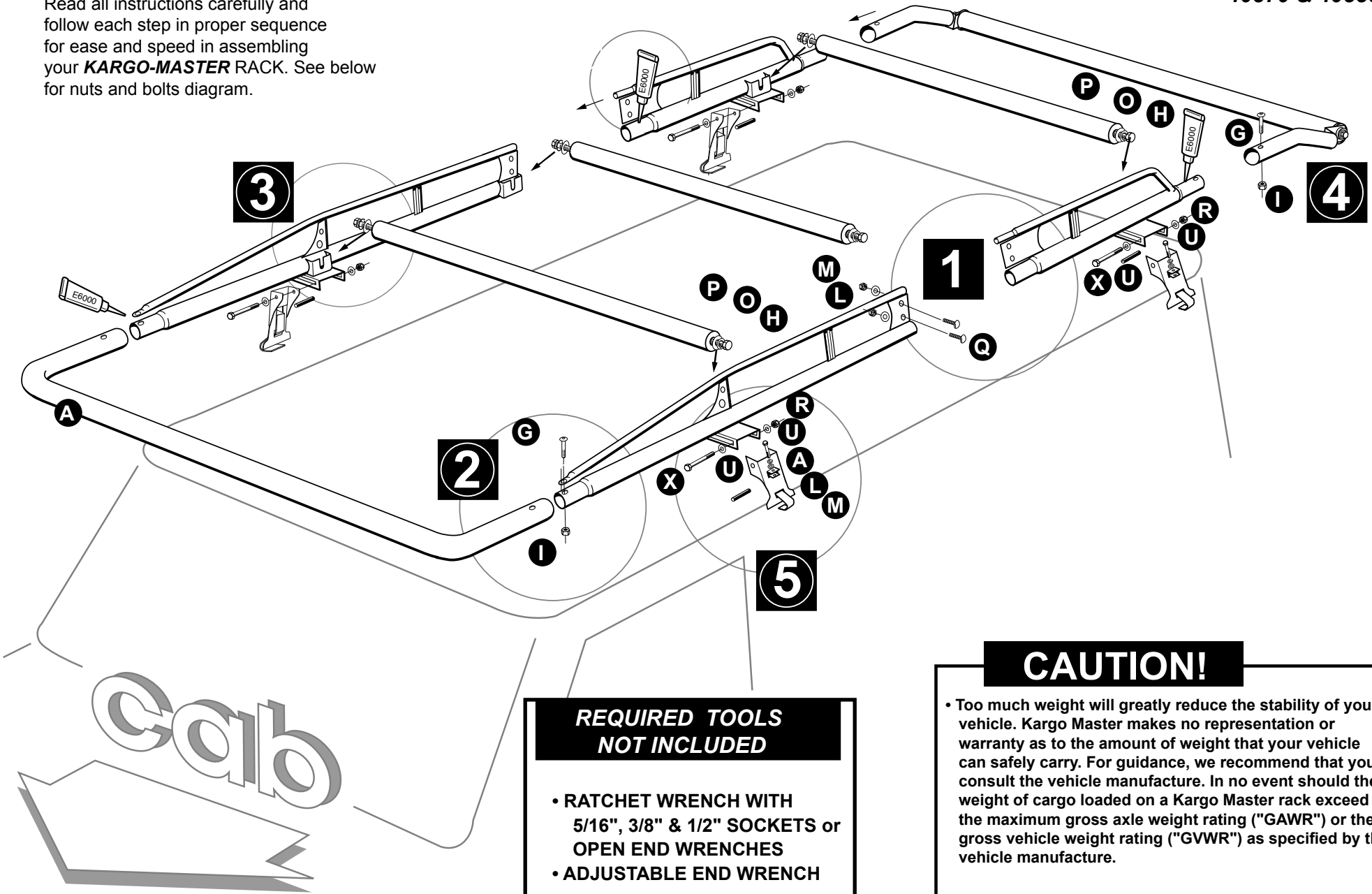
• 11261 Trade Center Drive • Rancho Cordova, CA 95742 •

PRO-II Van

40870 & 40880

ASSEMBLY INSTRUCTIONS

Read all instructions carefully and follow each step in proper sequence for ease and speed in assembling your **KARGO-MASTER RACK**. See below for nuts and bolts diagram.



**REQUIRED TOOLS
NOT INCLUDED**

- RATCHET WRENCH WITH 5/16", 3/8" & 1/2" SOCKETS or OPEN END WRENCHES
- ADJUSTABLE END WRENCH

CAUTION!

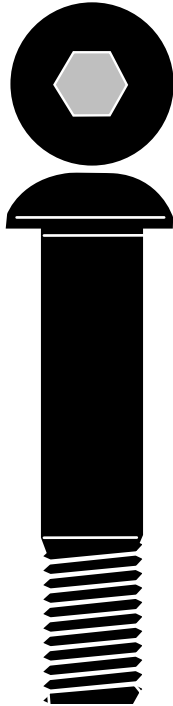
- Too much weight will greatly reduce the stability of your vehicle. Kargo Master makes no representation or warranty as to the amount of weight that your vehicle can safely carry. For guidance, we recommend that you consult the vehicle manufacture. In no event should the weight of cargo loaded on a Kargo Master rack exceed the maximum gross axle weight rating ("GAWR") or the gross vehicle weight rating ("GVWR") as specified by the vehicle manufacture.
- Secure *all* payloads properly for safe transportation.

VAN HARDWARE KIT

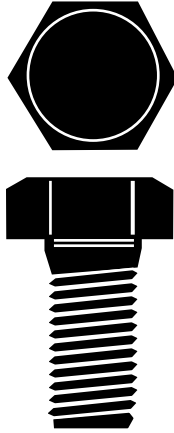
X (4 ea.)
3/8" x 4" Hex Bolt



G (4 ea.)
1/2" x 2 1/2"
Button Head Bolt



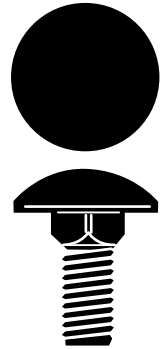
P (6 ea.)
1/2" x 1"
Hex Bolt



A (8 ea.)
5/16" x 1 1/2"
Carriage Bolt



Q (4 ea.)
5/16" x 3/4"
Carriage Bolt



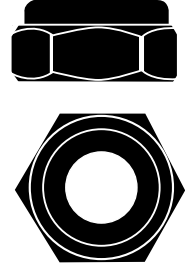
M (8 ea.)
5/16" Lock Nut



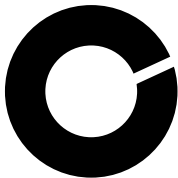
R (4 ea.)
3/8" Lock Nut



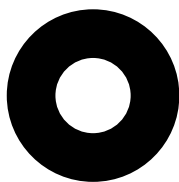
I (4 ea.)
1/2" Jam Nut



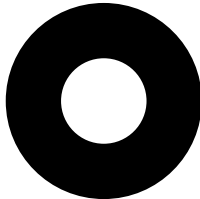
O (6 ea.)
1/2" Lock Washer



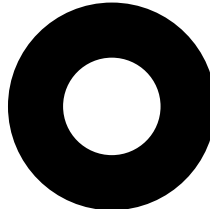
L (8 ea.)
5/16" SAE Flat Washer



U (8 ea.)
3/8" SAE Flat Washer



H (6 ea.)
1/2" SAE Flat Washer

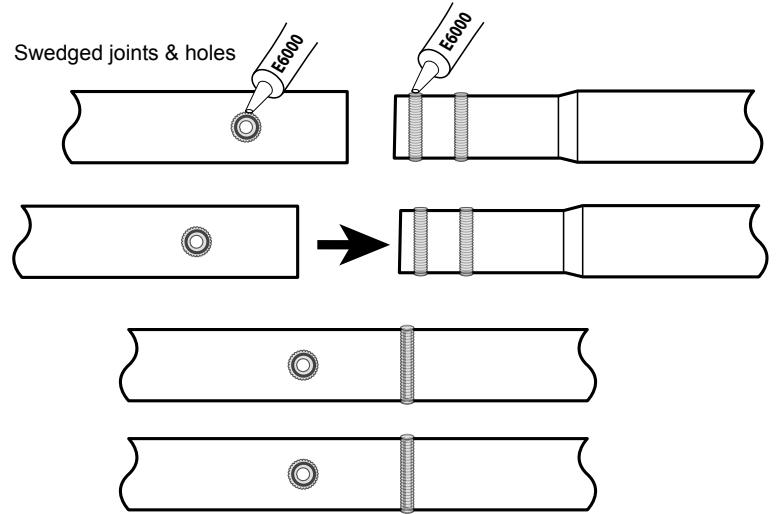


(4 ea.) Mounting Bracket Spacers



E6000 APPLICATION

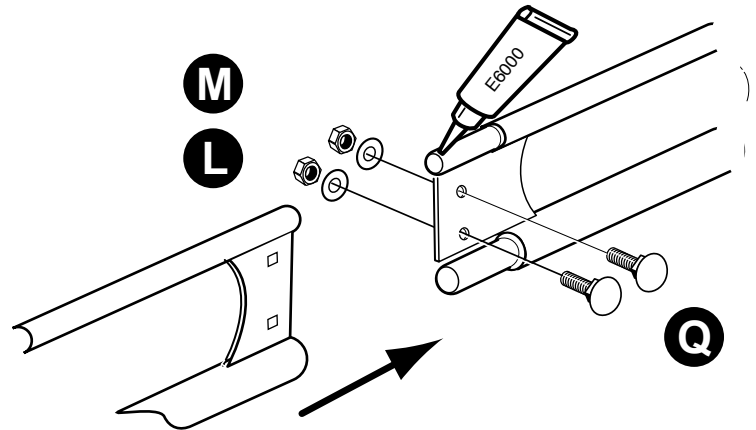
Apply a healthy air tight bead of E6000 around **every** swaged joint as shown, to prevent moisture from leaking into and out of the joint. If this is not done properly, the inside surface of the tubes can rust and rusty water can leak out. Maintain this joint seal throughout the life of your rack.



Smooth E6000 at swaged joints & holes

STEP 1

#1 = Cover entire swedge joints with E6000 and join FRONT and REAR side channels together. Be sure the connecting plates overlap and bolt together with bolts **Q**, washers **L** and lock nuts **M**.



STEP 2

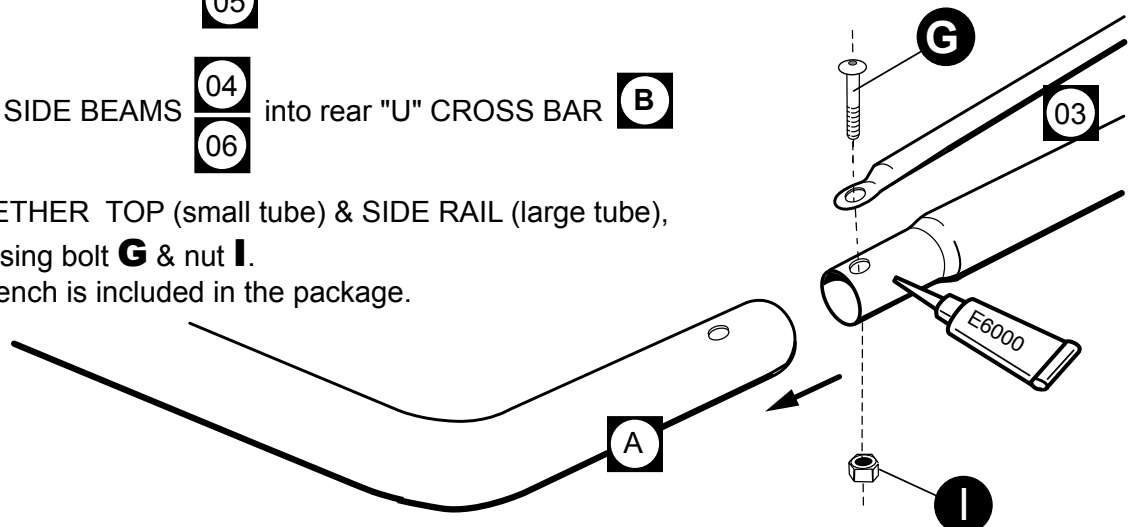
#1= Slide FRONT SIDE BEAMS **03** into front "U" CROSS BAR **A**

05

#2= Slide REAR SIDE BEAMS **04** into rear "U" CROSS BAR **B**

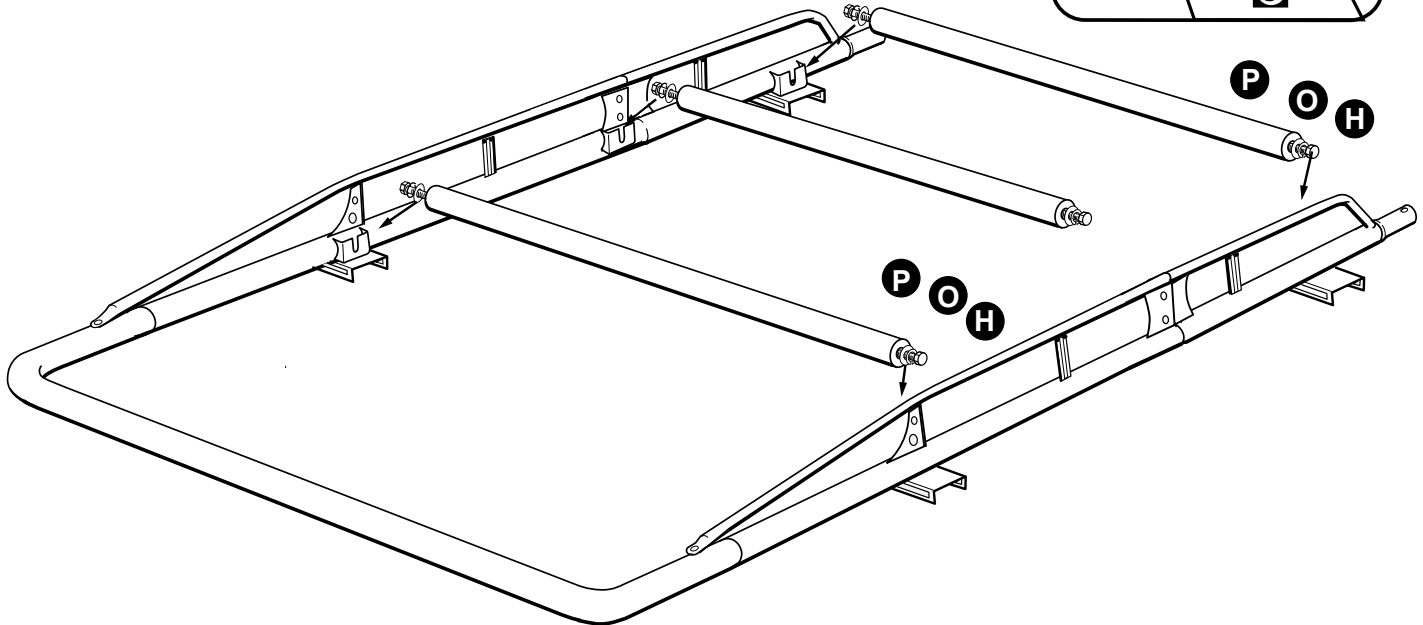
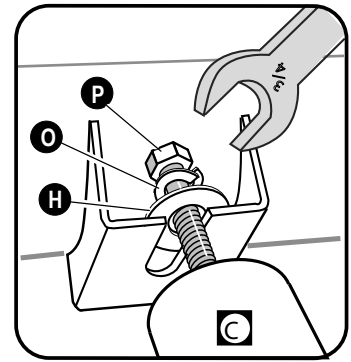
06

#3 = BOLT TOGETHER TOP (small tube) & SIDE RAIL (large tube), as shown, using bolt **G** & nut **I**.
The allen wrench is included in the package.

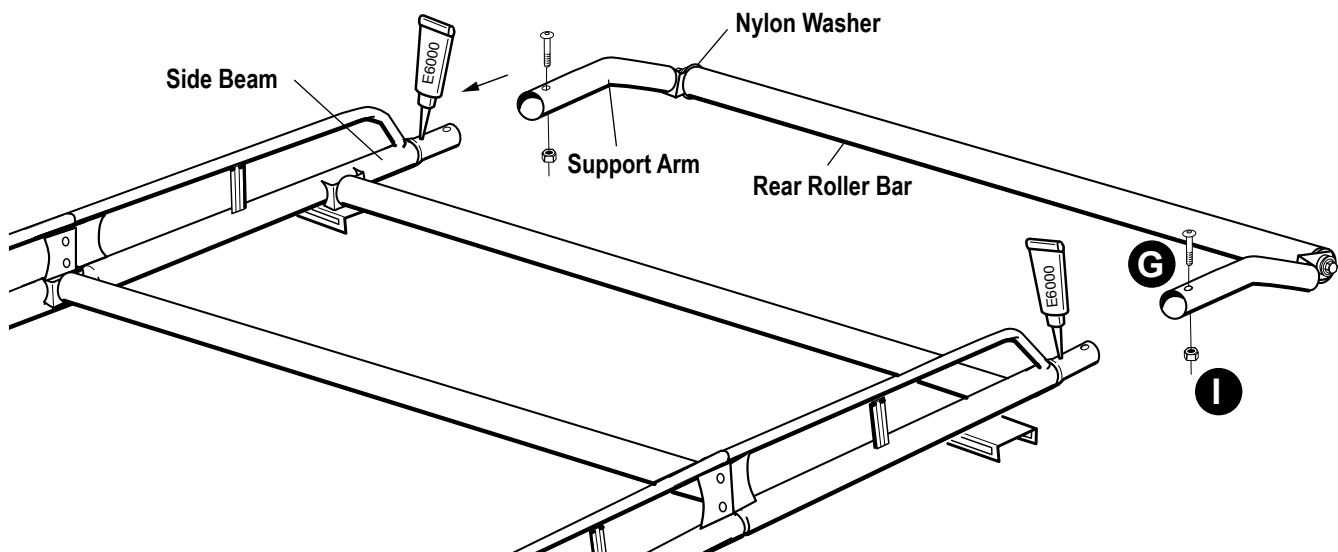


STEP ③

#1= At each end of the 3 shorter CROSS BARS, start BOLTS & WASHERS
Slide BOLTS & WASHERS into SLOTTED BRACKETS on frame
and snug with an open end 3/4" wrench (as shown)

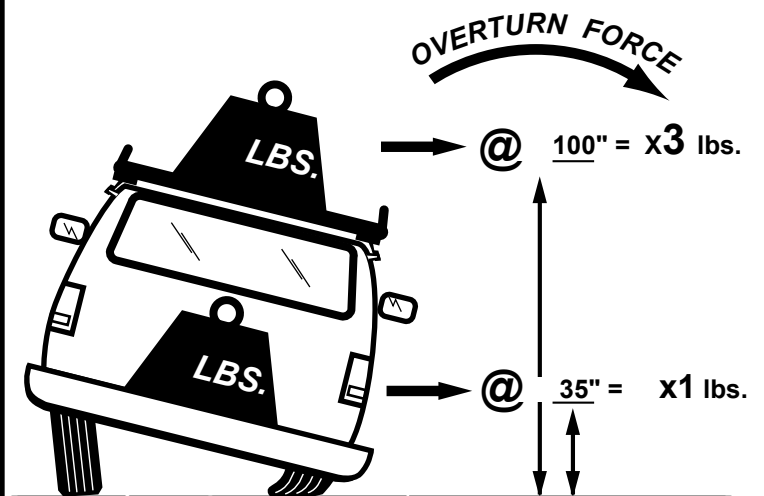
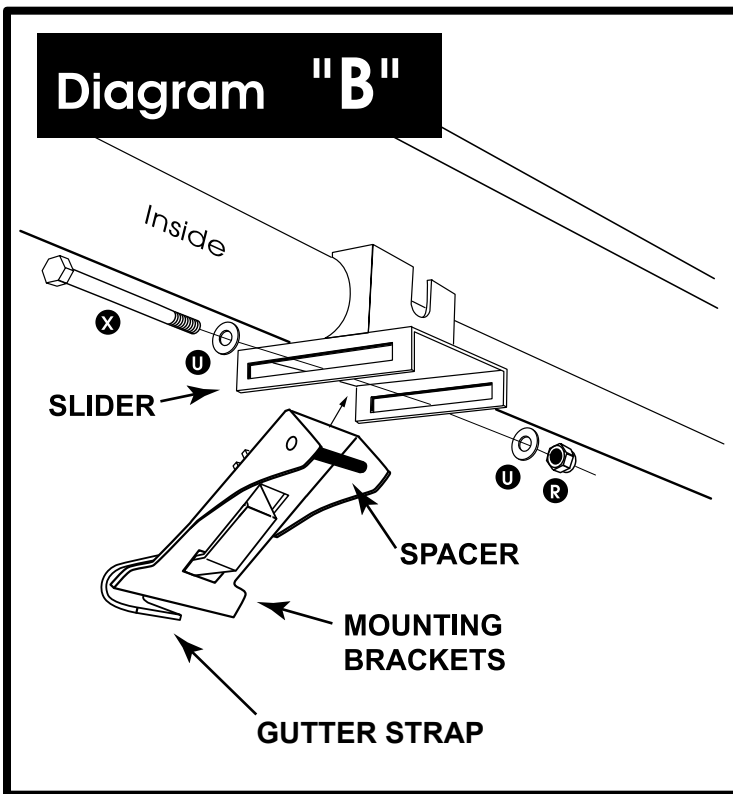
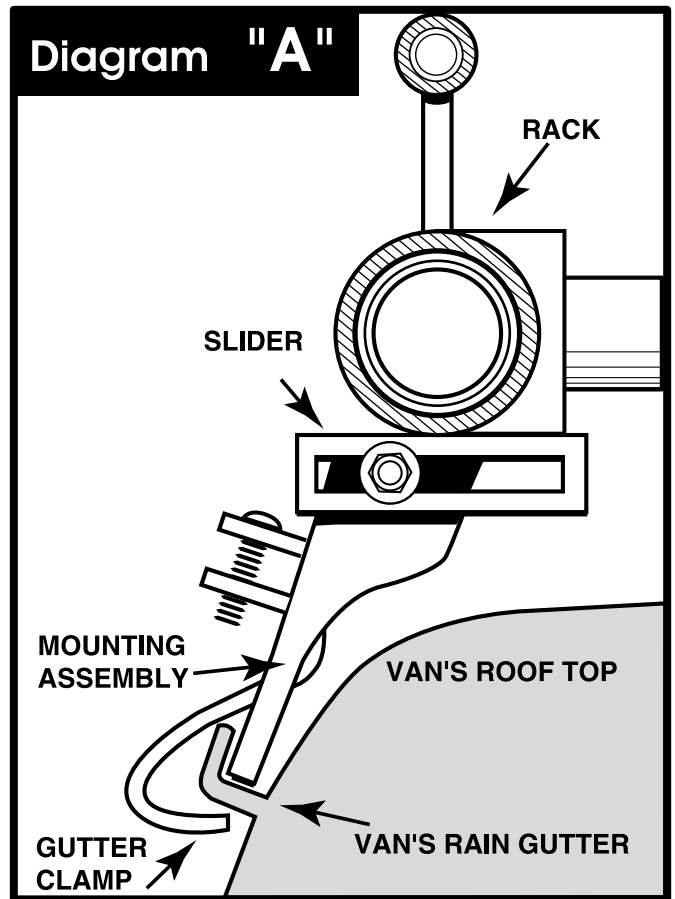
**STEP ④**

#1= Apply E6000 on joints, then slide rear roller assembly onto
side beams and secure with bolt **G** and nut **I**.



STEP 5

#1= Assemble mounting brackets per Diagram "B". Install van mounting assembly per Diagram "A". Leave 3/8" x 4" hex bolts **X** in slider bracket loose for final adjustment after installation on van. Install rack on van gutters and center on van top. Be sure to leave the front bar protruding at least 3" forward of windshield for wind noise reduction. If wind noise persists, an optional wind deflector is available through your local retailer. Most roof panels taper, so different settings will be required for each mounting assembly. Properly adjusted they will distribute load to more surface and provide additional support. Now snug down the tension clips and installation is complete.



ALWAYS KEEP HEAVY LOADS CENTERED AND AS LOW AS POSSIBLE. YOUR VANS G.V.W. MAY BE MUCH HIGHER THAN KARGO-MASTER'S LOAD RATING BUT IT IS IMPORTANT TO NOTE THE EFFECTS OF HEAVY WEIGHT ON ROLL CENTER.

For TECHNICAL SUPPORT Call:

1-800-343-7486

HOURS: Monday- Friday 8:00 A.M. to 4:30 P.M. (PACIFIC)