

**VENCO  
VENTURO**

**INDUSTRIES LLC**

**ESV-1000**

**ENCLOSED SERVICE VAN**

**VKE\*AA**

**INSTALLATION & OWNER'S MANUAL**



# Dear Venturo ESV-1000 Purchaser,

## Thank You!

Thank you for your purchase of the Venturo ESV-1000 Van Crane. This crane was carefully engineered to provide excellent performance when properly installed, operated and maintained.

Please read this entire manual prior to installing and operating the equipment. It instructs you how to safely and easily install, set up and operate your crane. Please be sure that you, and any other person who will operate the crane, carefully follow the recommended safety practices at all times. Failure to do so could result in personal injury or property damage.

All information in this manual is relative to the most recent product information available at the time of printing. Review this manual for proper installation and to familiarize yourself with the crane's features and operations. We reserve the right to change product specifications, designs and equipment without notice and without incurring obligation.

If you have any problems or questions concerning the ESV-1000, please call Venco Venturo Industries LLC directly. We want to ensure your complete satisfaction at all times.

Sincerely,

Venco Venturo Industries LLC

## Record Product Information

Before installing, setting up and operating your new crane, please locate the serial plate on the crane and record the information provided to the right. You can locate the serial number plate by looking at where the primary boom connects with the mast at the top. This information will be necessary, should you seek technical support.

**Model:**

---

**Serial Number:**

---

## Product Registration and Customer Support

Please register your product on our website, [www.venturo.com/warranty-policy/](http://www.venturo.com/warranty-policy/).

If you have difficulty assembling this product or have any questions regarding the controls, operation, or maintenance of this crane, you can seek help from our expert customer support. Choose from the options below:

- Visit us on the web at [www.venturo.com](http://www.venturo.com)
  - Download this owner's manual at [www.venturo.com/owner-manuals/](http://www.venturo.com/owner-manuals/)
- Call a Customer Support Representative or Technical Support at (800) 226-2238
- Locate the nearest Venturo Distributor in your area (800) 226-2238 or [info@venturo.com](mailto:info@venturo.com)



VENCO VENTURO INDUSTRIES LLC  
CINCINNATI, OHIO

TITLE

LEAD PAGE

ESV-1000

DATE

02-16-17

SUPERSEDES

-

SECTION

-

ESV001



**TABLE OF CONTENTS**  
**ESV-1000 SERIES CRANES**

ESV001	LEAD PAGE
<b><u>SECTION 100</u></b>	<b><u>INSTALLATION</u></b>
ESV101	PACKAGE CONTENTS
ESV102	MINIMUM HARDWARE SPECIFICATIONS
ESV103	INSTALLATION INSTRUCTIONS, PG. 1
ESV104	INSTALLATION INSTRUCTIONS, PG. 2
ESV105	ELECTRICAL INSTALLATION INSTRUCTIONS
CEV223	BATTERY CABLE INSTALLATION
ESV106	WIRING DIAGRAM
<b><u>SECTION 200</u></b>	<b><u>USER GUIDE</u></b>
CE-044	CRANE SAFETY AND HAZARDS
ESV107	OPERATING INSTRUCTIONS & MAINTENANCE
ESV108	USER INSTRUCTIONS
<b><u>SECTION 300</u></b>	<b><u>SPECIFICATIONS</u></b>
ESV109	DIMENSIONS & CAPACITY
CEV162	WIRE ROPE & HOOK SPECIFICATIONS
<b><u>SECTION 400</u></b>	<b><u>REPLACEMENT PARTS</u></b>
ESV110	REPLACEMENT PARTS DRAWING
ESV111	REPLACEMENT PARTS LIST
ESV112	REPLACEMENT HARDWARE DRAWING
ESV113	REPLACEMENT HARDWARE LIST
CE-055	REPLACEMENT PARTS DRAWING & LIST; WINCH
CEV224	REPLACEMENT PARTS DIAGRAM; CE-008 CONTACTOR BOX
CEV170	SAFETY DECALS
CEV171	SAFETY DECALS
ESV114	DECAL DRAWINGS & LIST
ESV115	DECAL LOCATIONS
ESV116	KIT; ESV117 FIELD SERVICE LABELS



VENCO VENTURO INDUSTRIES LLC  
 CINCINNATI, OHIO

TITLE	DATE	SECTION
TABLE OF CONTENTS	02-16-17	TOC
ESV-1000 SERIES CRNS	SUPERSEDES	ESV100
	-	





# SECTION 100

# INSTALLATION

PACKAGE CONTENTS  
ESV-1000 SERIES CRANES

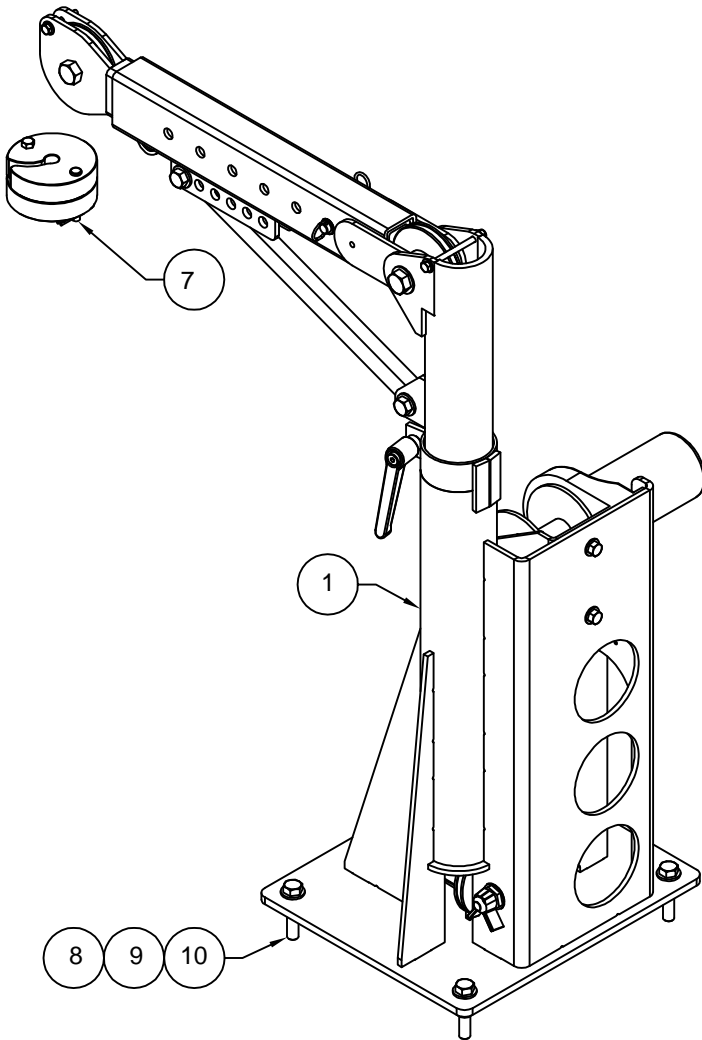
The ESV-1000 Series Crane will ship with some sections pre-assembled from the factory. Below are illustrations to help identify the Van Crane and Installation Kit components.

ESV - 1000 VAN CRANE

Locate and identify the following crane sections:

1. ESV-1000 Crane frame with winch

NOTE: Some fasteners are located in the installation kit.



ESV118 INSTALLATION KIT

Locate and identify the following components:

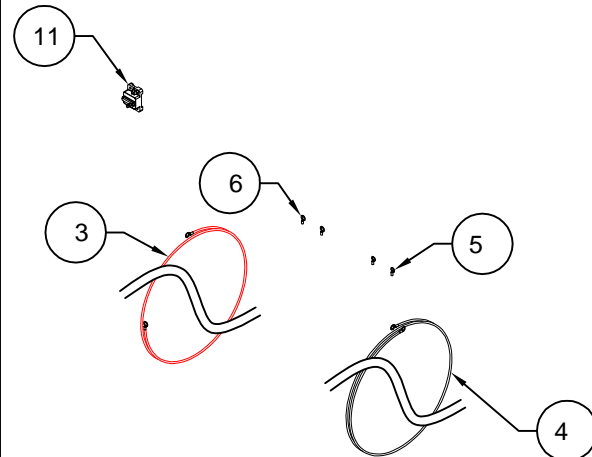
- † 2. [1] Installation Kit Box (#BOX24\*12\*8)
3. [1] Red Battery Cable (#01025-4\*29FT)
4. [1] Black Battery Cable (#01025-4\*28FT)
5. [2] 5/16 Terminal Ring (!TERM4G313RG)
6. [2] 3/8 Terminal Ring (!TERM4G375RG)
7. [1] Headache Ball Assembly (#16735)

FASTENERS

8. [4] 1/2-13 X 2-1/2" Hex Head Cap Screws (!HHCS05013150)
9. [8] 1/2" SAE Flat Washers (!FWSH-050SAE)
10. [4] 1/2-13 Lock Nuts, Nylon (!LNUT-05013)

OPTIONAL EQUIPMENT

11. [1] 150A CIRCUIT BREAKER (#22946-150)



† NOT SHOWN



VENCO VENTURO INDUSTRIES LLC  
CINCINNATI, OHIO

TITLE  
PACKAGE CONTENTS

ESV-1000 SERIES CRANES

DATE  
02-16-17

SUPERSEDES  
-

SECTION  
C100

ESV101



INSTALLATION INSTRUCTIONS / MINIMUM HARDWARE SPECIFICATIONS  
 ESV-1000 SERIES CRANES

THE ESV-1000 VAN CRANE IS DESIGNED TO BE INSTALLED IN EITHER THE RIGHT REAR CORNER OF THE VEHICLE (PRIMARY LOCATION) OR THE LEFT REAR CORNER OF THE VEHICLE (SECONDARY LOCATION).

!! MINIMUM HARDWARE SPECIFICATIONS !!

**Reinforcement plates**

It is the installer's responsibility to ensure the van's floor structure is able to withstand the stresses applied when lifting and maneuvering loads into and out of the van. Additional sub-floor plating may be required.

**Bolts**

The ESV-1000 mounting bolts should be 1/2" in diameter with 13 threads per inch (1/2-13), grade 5 steel zinc plated. Lengths may vary depending on crane location, vehicle structure, and / or additional reinforcement requirements.

**Washers**

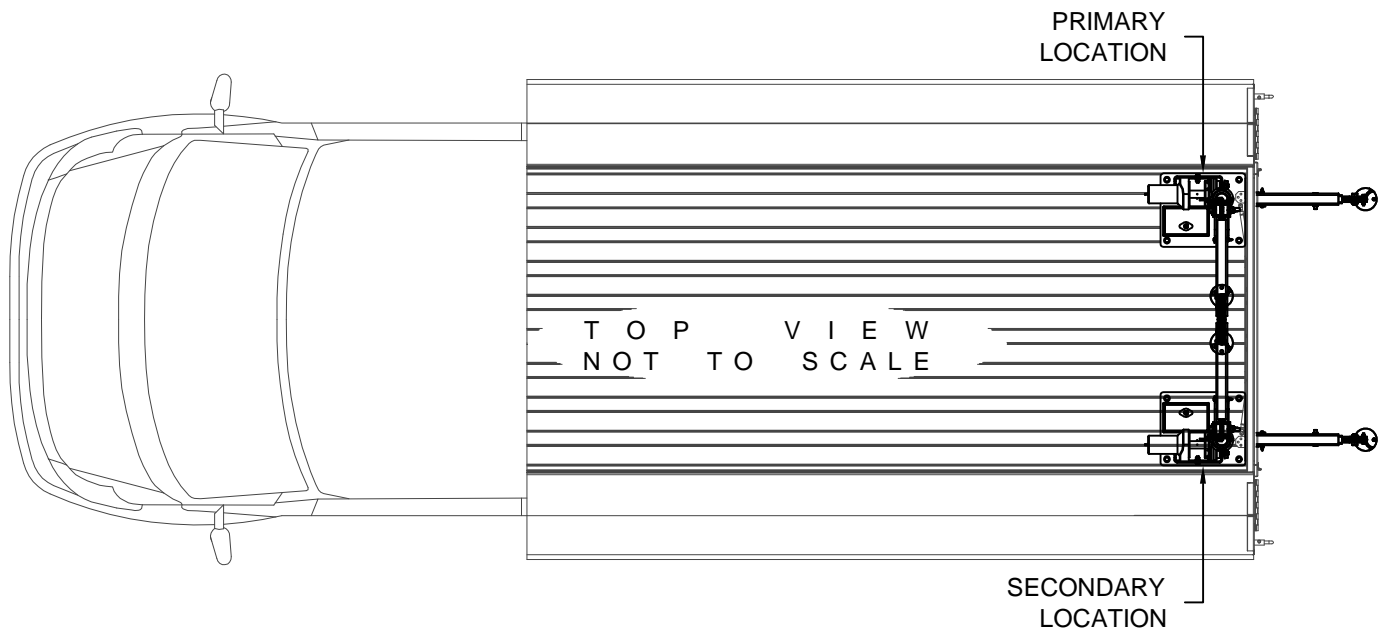
Use 1/2" flat washers. One [1] flat washer per bolt head (where applicable) and one [1] flat washer for the Nylon lock (nyloc) nut. Washers must be at grade 5 steel and zinc plated.

**Nyloc Nuts**

Four [4] 1/2-13 nyloc nuts must be properly torqued to 75 ft. lbs. to secure the crane to the van floor.

**! C A U T I O N**

- THE ESV-1000 (1000 LBS.) CAPACITY IS BASED UPON VAN'S STRUCTURAL LIMITATIONS OF THE FLOOR, NOT WINCH CAPACITY. IT IS THE INSTALLER'S RESPONSIBILITY TO ENSURE PROPER REINFORCEMENT OF VAN'S STRUCTURE TO SUPPORT THE CRANE AND ITS LOAD.



THE ILLUSTRATION ABOVE SHOWS THE GENERAL PLACEMENT OPTIONS FOR THE ESV-1000 VAN CRANE, AND IS TO BE USED FOR REFERENCE ONLY. SPECIFIC LOCATIONS WILL BE LIMITED BY VEHICLE STRUCTURES AND / OR INSTALLER PREFERENCE(S).



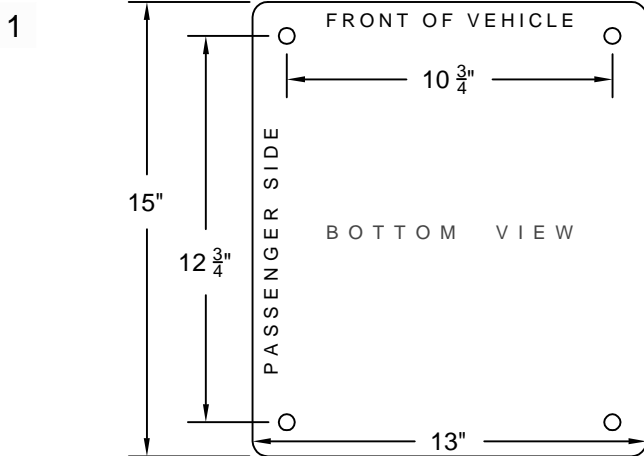
VENCO VENTURO INDUSTRIES LLC  
 CINCINNATI, OHIO

TITLE	DATE	SECTION
INSTALL. INSTRUCTIONS	02-16-17	C100
ESV-1000 SERIES CRANES	SUPERSEDES	ESV102
	-	

**READ ALL INSTRUCTIONS FIRST BEFORE PERFORMING INSTALLATION**

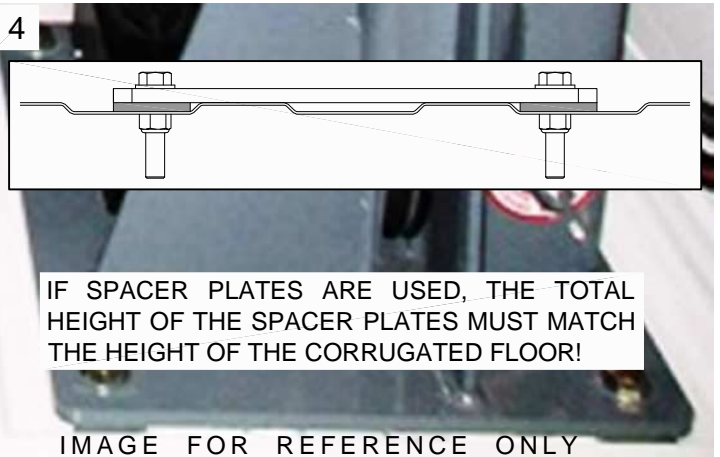
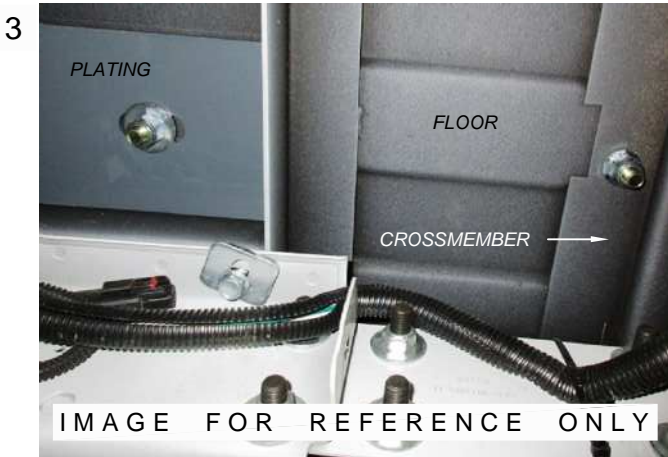
**! C A U T I O N**

NOTE ALL SHARP EDGES AND/OR COMPONENTS THAT POSE A POTENTIAL HAZARD WHEN EXAMINING THE VEHICLE. ALWAYS CHECK FOR PROPER CLEARANCE AND ACCESSIBILITY. IT IS THE INSTALLER'S RESPONSIBILITY TO ENSURE PROPER REINFORCEMENT OF THE VEHICLE'S STRUCTURE TO SUPPORT THE CRANE AND ITS LOAD.



Using the above dimensions, carefully measure and check the undercarriage of the vehicle in the area where you plan to place the crane.

Avoid obstacles that may interfere with the placement of the crane and its mounting components (i.e. brake lines, fuel lines, wiring harnesses, etc.).



It is the installer's responsibility to ensure the vehicle's floor structure is able to withstand the stresses applied when lifting and maneuvering loads into and out of the vehicle. Additional sub-floor plating may be required.

Mark the hole locations and drill [4] clearance holes for 1/2" bolts. If vehicle's floor is corrugated, spacer plates may be required and may need holes drilled to match the crane's mounting holes (ref. caption #1 above left).



VENCO VENTURO INDUSTRIES LLC  
 CINCINNATI, OHIO

TITLE  
**INSTALL. INSTRUCTIONS**

DATE  
**02-16-17**

SECTION  
**C100**

ESV-1000 SERIES CRANES

SUPERSEDES  
 -

**ESV103**

**READ ALL INSTRUCTIONS FIRST BEFORE PERFORMING INSTALLATION**

**! D A N G E R**

THE WEIGHT OF THE ESV-1000 CRANE IS APPROXIMATELY 145 LBS.  
 ADDITIONAL HELP MAY BE REQUIRED TO PERFORM THE NEXT STEPS .

1

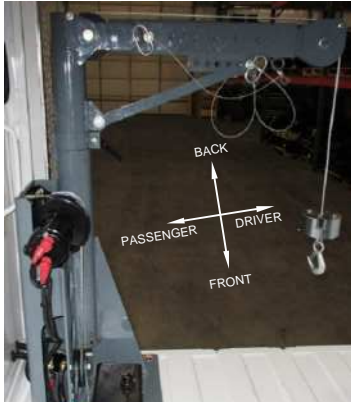


IMAGE FOR REFERENCE ONLY

After holes are drilled, carefully lift the crane into the vehicle.  
 Gently place the crane on top of the floor/spacers, and align the holes.

2



IMAGE FOR REFERENCE ONLY

Feed [1] 1/2-13 X 2-1/2" bolt with [1] 1/2" SAE Flat Washer (supplied) down through each of the crane's mounting holes.

3

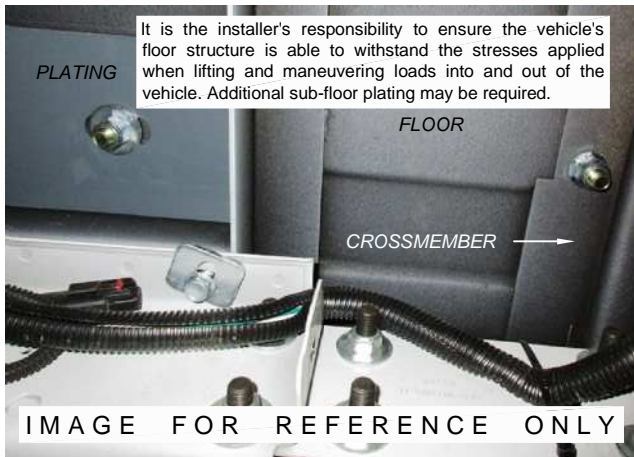


IMAGE FOR REFERENCE ONLY

Insert [1] 1/2" SAE Flat Washer and [1] 1/2-13 Nylon Lock Nut onto each of the mounting bolts (supplied).

4

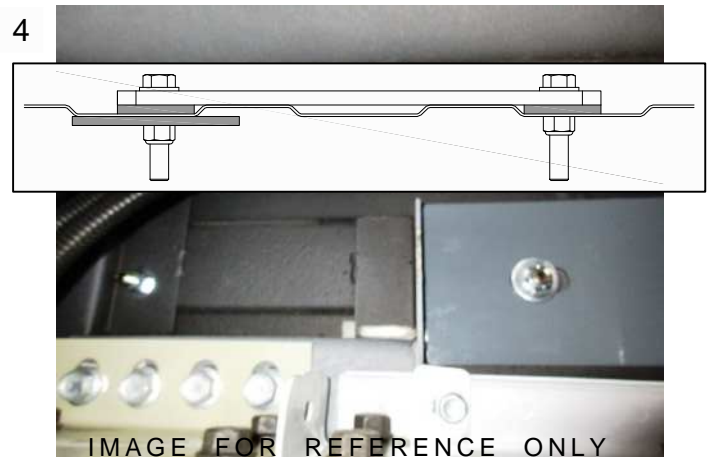


IMAGE FOR REFERENCE ONLY

Before applying torque to fasteners, inspect for pinch points and remove any obstacles from interfering with mounting components. Torque bolts to 75 LBS.



VENCO VENTURO INDUSTRIES LLC  
 CINCINNATI, OHIO

TITLE  
 INSTALL. INSTRUCTIONS

DATE  
 02-17-17

SECTION  
 C100

ESV-1000 SERIES CRANES

SUPERSEDES  
 -

ESV104

**INSTALLATION INSTRUCTIONS (ELECTRICAL)  
ESV-1000 SERIES CRANES**

Using the [2] battery cables in the kit (provided), install the ground (black) and 12V (red) to the crane's contactor box per drawing CEV223.

Install the master disconnect switch close to the crane and within reach of the operator. Using the red battery cable, route the cable to the disconnect switch. The cable will need to be cut to length. Strip both ends of cable, install the heat shrink tube and the battery terminal (provided). Crimp or solder the terminals on each end and slide the heat shrink insulator up onto the terminal. Use a heat gun or equivalent to seal the tube to the cable.

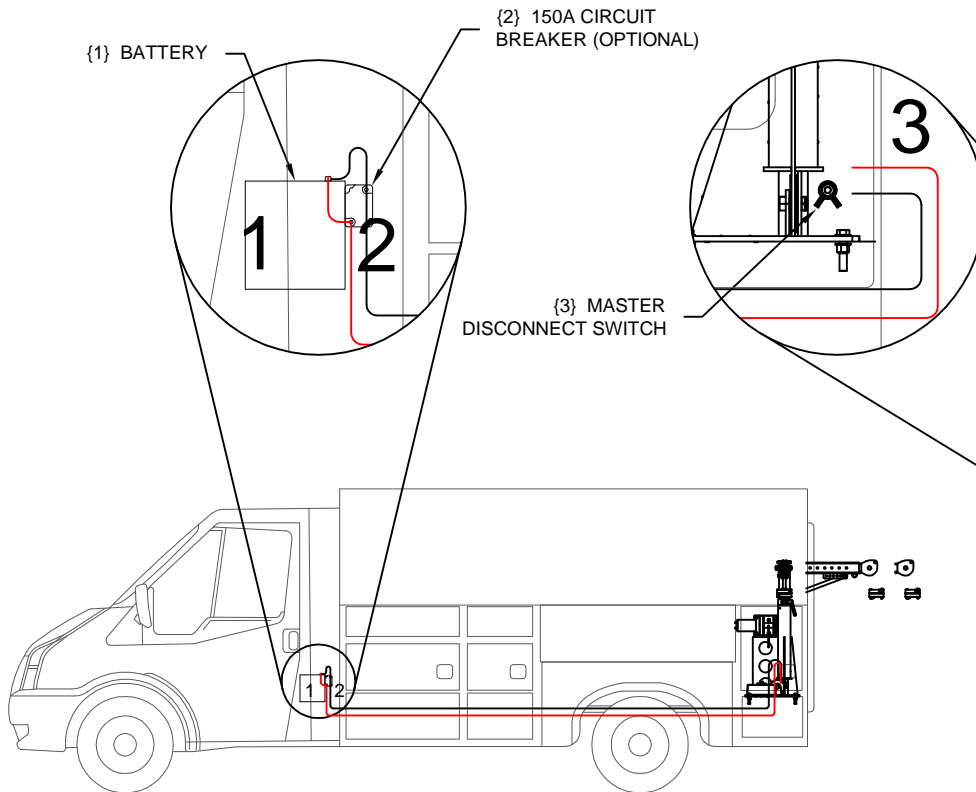
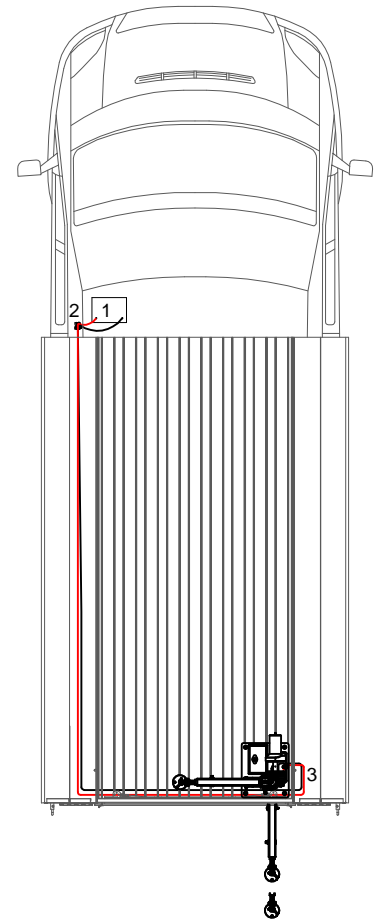
Connect the crane side of the cable to the master disconnect switch and the other cable's end to the second terminal on the switch.

**NOTE:** Both ground and 12v cables must be routed directly to the battery (not included).

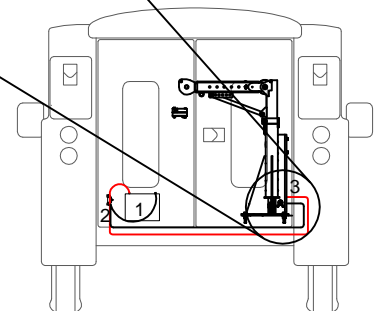
Route cables using the vehicles current harness path. Secure both cables to the battery, while protecting them from sharp edges, heat or anything that could damage the cables. Install the black cable to the negative (-) post and red cable to the positive (+) post.

**NOTE:** If you purchased the optional 12v 150 amp circuit breaker, install the circuit breaker as close to the battery as possible. The red 12v cable will need to be cut and the heat shrink & terminals installed in the same manner as the master disconnect switch.

Plug the pendant into the contactor box and turn the master disconnect switch 'ON'. Crane is ready for use. When crane is not in use, the master disconnect switch must be 'OFF' and the pendant removed.



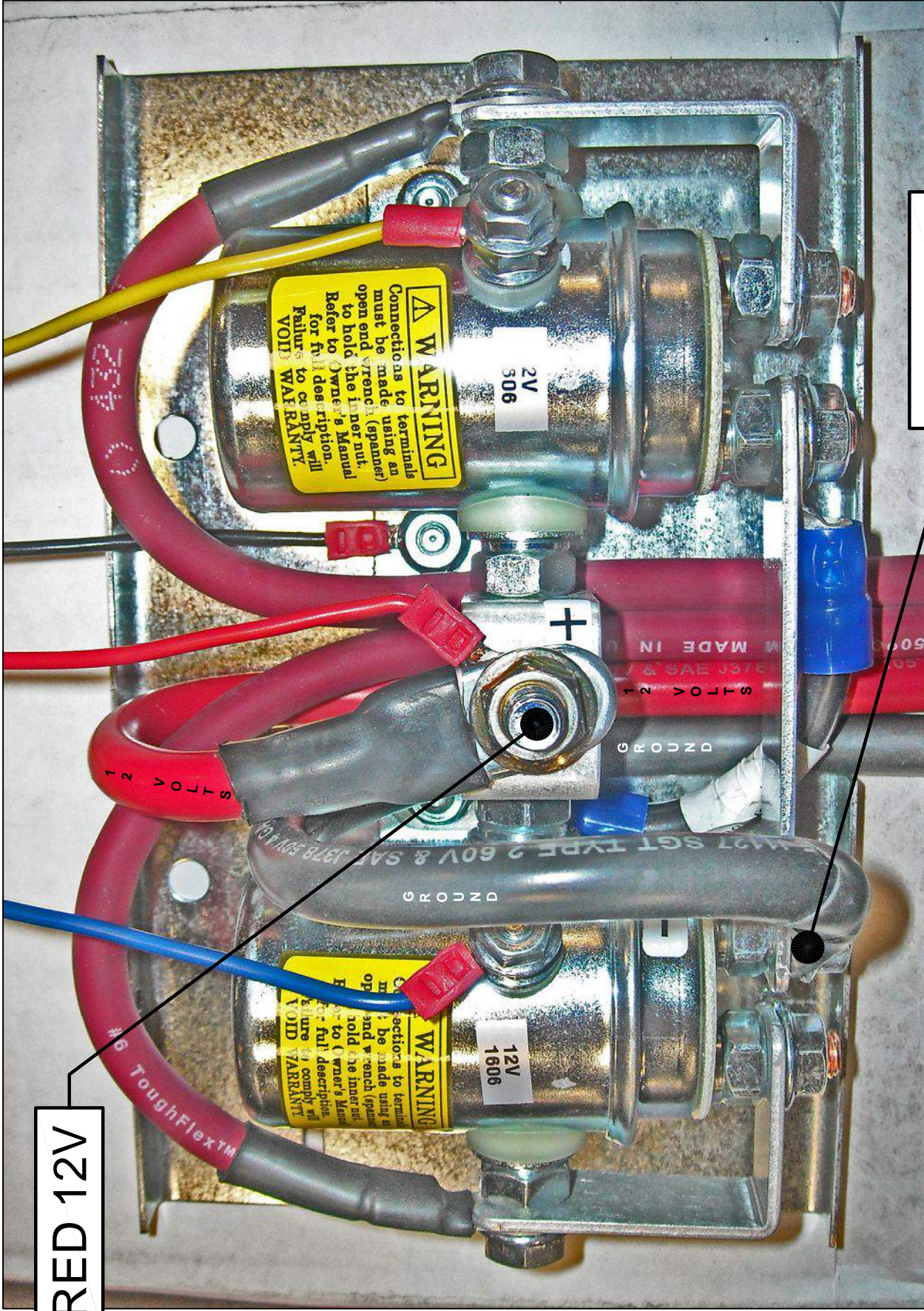
*ILLUSTRATIONS ARE FOR REFERENCE ONLY.  
CABLE PATHS MAY VARY FROM VEHICLE TO VEHICLE.*



VENCO VENTURO INDUSTRIES LLC  
CINCINNATI, OHIO


TITLE	DATE	SECTION
ELEC. INSTALL. INSTRCTNS	02-20-17	C100
ESV-1000 SERIES CRANES	SUPERSEDES	ESV105
	-	





GROUND

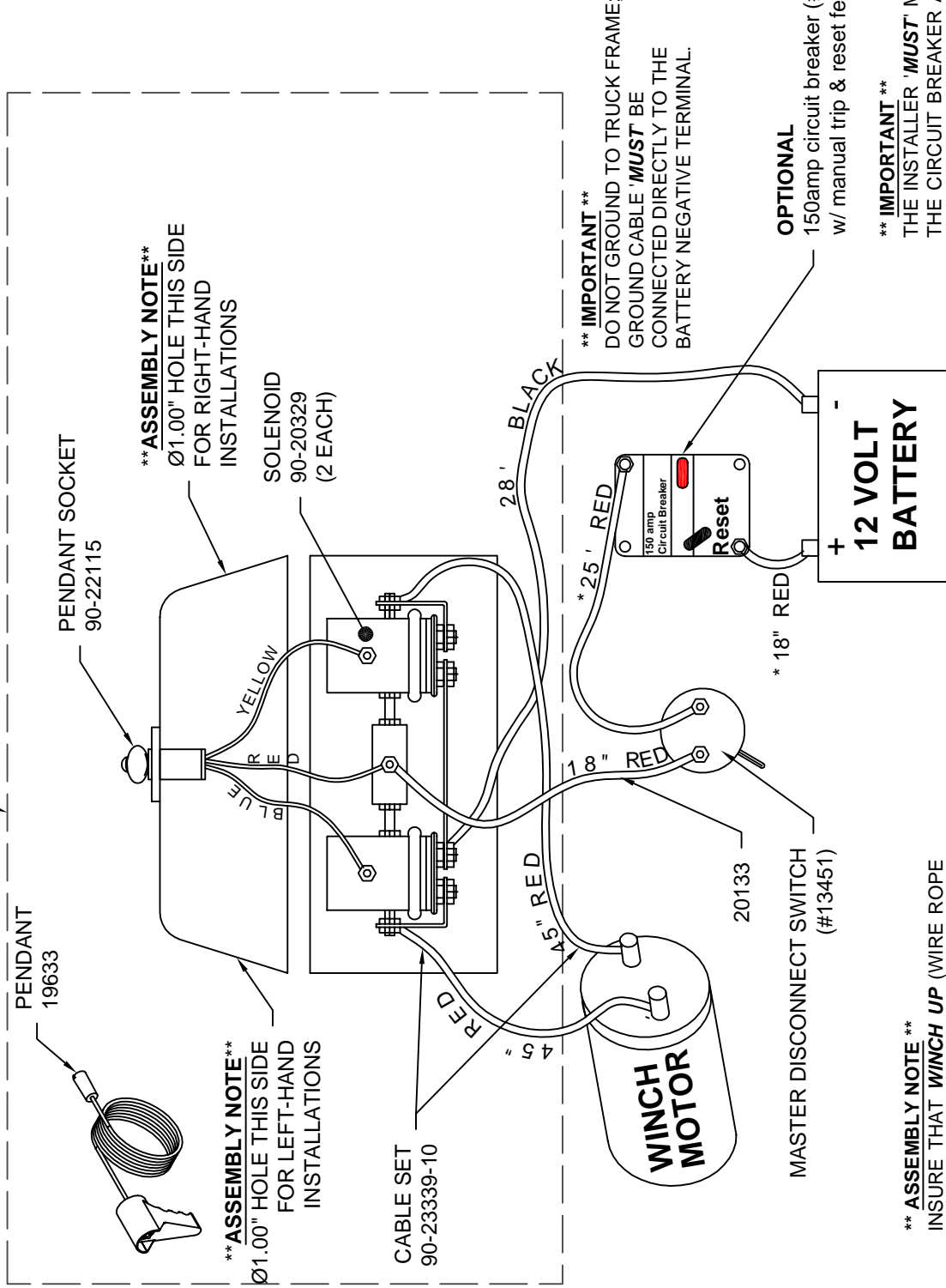
RED 12V

 VENCO VENTURO INDUSTRIES LLC CINCINNATI, OHIO	TITLE	BATTERY CABLE INSTALLATION	
	DATE	08-30-16	SECTION
	SUPERSEDES	-	CEV223



COVER  
90-31079

CE-008 KIT  
NOTE: CE-008-D = KIT LESS 19633 PENDANT



**\*\*ASSEMBLY NOTE\*\***  
Ø1.00" HOLE THIS SIDE  
FOR RIGHT-HAND  
INSTALLATIONS


**\*\*ASSEMBLY NOTE\*\***  
Ø1.00" HOLE THIS SIDE  
FOR LEFT-HAND  
INSTALLATIONS

**\*\* IMPORTANT \*\***  
DO NOT GROUND TO TRUCK FRAME;  
GROUND CABLE **'MUST'** BE  
CONNECTED DIRECTLY TO THE  
BATTERY NEGATIVE TERMINAL.

**OPTIONAL**  
150amp circuit breaker (#22964-150)  
w/ manual trip & reset feature

**\*\* IMPORTANT \*\***  
THE INSTALLER **'MUST'** LOCATE  
THE CIRCUIT BREAKER AS CLOSE TO  
THE BATTERY AS PRACTICAL.

**\*\* ASSEMBLY NOTE \*\***  
INSURE THAT **WINCH UP** (WIRE ROPE  
PAY-IN) AND **WINCH DOWN** (WIRE  
ROPE PAY-OUT) CORRESPOND TO  
THE SYMBOLS ON THE CORDED  
REMOTE CONTROL.

 <p>VENTURO® VENCO VENTURO INDUSTRIES LLC CINCINNATI, OHIO</p>	TITLE	WIRING DIAGRAM	
	ESV-1000 SERIES CRANES	DATE	04-19-18A
	SUPERSEDES	02-20-17	SECTION
			C100
			ESV106



# SECTION 200

# USER GUIDE

**CAUTIONS**

1. INSPECT VEHICLE AND CRANE, INCLUDING OPERATION, PRIOR TO USE DAILY.
2. DO NOT USE THIS EQUIPMENT EXCEPT ON SOLID, LEVEL SURFACE WITH CRANE MOUNTED ON FACTORY RECOMMENDED TRUCK.
3. BEFORE OPERATING THE CRANE, REFER TO MAXIMUM LOAD (CAPACITY) CHART ON CRANE FOR OPERATING (LOAD) LIMITATIONS.
4. DO NOT OPERATE, WALK, OR STAND BENEATH BOOM OR A SUSPENDED LOAD.
5. UNPLUG PENDANT (AND OPTIONAL ELECTRIC QUICK DISCONNECT, IF ON MODEL) WHEN NOT IN USE.
6. FOR TRAVEL, BOOM MUST BE TIED DOWN IN THE STOWED POSITION.

**DANGER**

- THIS CRANE IS NOT A PASSENGER LIFT
- IT IS NOT DESIGNED OR INTENDED TO BE USED TO LIFT, SUPPORT, OR OTHERWISE TRANSPORT PERSONNEL.

**YOU MUST NOT OPERATE THIS CRANE UNLESS :**

1. YOU HAVE BEEN TRAINED IN THE SAFE OPERATION OF THIS CRANE, **AND**
2. YOU KNOW AND FOLLOW THE SAFETY AND OPERATION RECOMMENDATIONS CONTAINED IN THE MANUFACTURER'S MANUALS, YOUR EMPLOYER'S WORK RULES, AND APPLICABLE GOVERNMENT REGULATIONS. AN UNTRAINED OPERATOR SUBJECTS THEMSELVES AND OTHERS TO DEATH OR SERIOUS INJURY.

REFERENCE SAFETY MANUAL INST-23233



VENCO VENTURO INDUSTRIES LLC  
CINCINNATI, OHIO

TITLE	DATE	SECTION
CRANE SAFETY & HZRDS	02-20-17E	C200
▲ CE-/CEV/ESV SERIES CRANES	SUPERSEDES 09-08-16D	CE-044



# OPERATING INSTRUCTIONS

## ELECTRIC WINCH

The winch is operated by a control switch in a plug-in remote pendant. Unplug the pendant and store it in the vehicle when the crane is not in use. For optional 110 volt AC winch, the pendant is non-removable.



# C A U T I O N

- BOOM MUST BE SECURED (STOWED POSITION) AND BRAKE SET BEFORE DRIVING VEHICLE. DO NOT DRIVE WITH BOOM EXTENDED OUT.

## MASTER DISCONNECT SWITCH

The Master Disconnect Switch isolates electrical power from the crane and should be switched OFF anytime the crane is NOT in use.

## OPTIONAL CIRCUIT BREAKER

An optional 150amp circuit breaker (#22964-150) is available. The circuit breaker should be placed between the lead-acid battery supply and the crane; ***as close as practical to the lead-acid battery.***

# MAINTENANCE

## WINCH

The winch is permanently lubricated. There may be grease leakage out of the winch, especially during the first few operations. This is normal and it is not necessary to grease or oil any part of the winch at any time.

## WIRE ROPE

Inspect wire rope periodically. If any wear or fraying exists, replace wire rope.

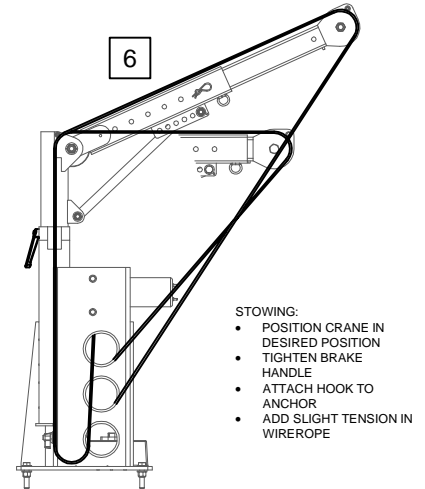


VENCO VENTURO INDUSTRIES LLC  
CINCINNATI, OHIO

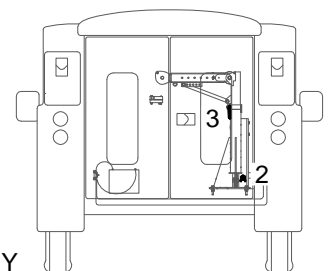
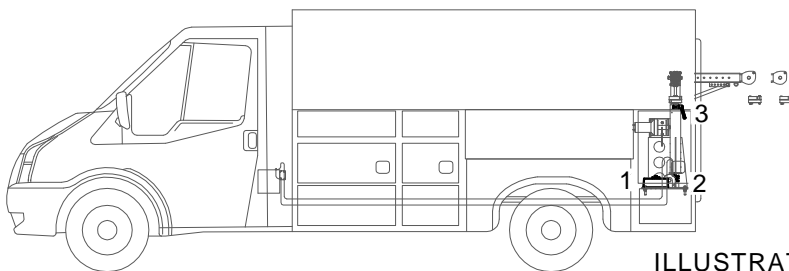
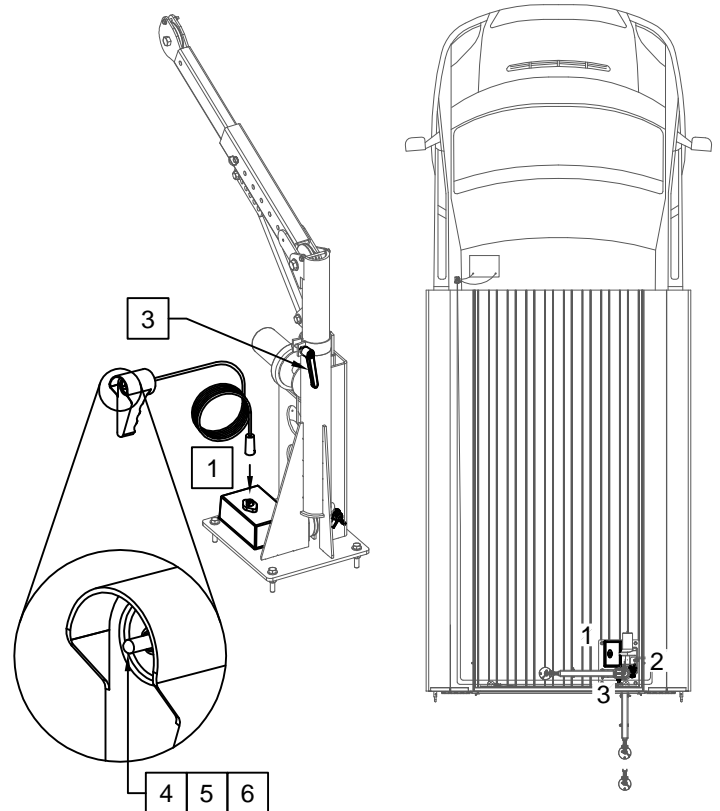
TITLE	DATE	SECTION
OPER. INSTR. & MNTNCE	02-20-17	C200
ESV-1000 SERIES CRNS	SUPERSEDES -	ESV107

**USER GUIDE**  
**ESV-1000 SERIES CRANES**

- Prior to using crane, read all operator instructions and Safety Manual
- Make sure you are familiar with all of the controls, functions, and locking mechanisms
- Read and adhere to all safety placards that are installed on the crane and the vehicle
- Since the manufacturer has no direct control over the crane application and operation, conformance with good safety practices is the responsibility of the operator
- The vehicle and crane are to be positioned on firm level surfaces with the chassis brake engaged
- Whenever possible, always rotate the crane or boom by 'pushing' away from you
- Always use proper rigging hardware and slings



1. Plug control pendant into socket located on the crane
2. Turn Master Disconnect Switch to the 'ON' position
3. Loosen Brake Handle to rotate the crane and center the wire rope hook over the load
4. Using the pendant, lower hook to the load and attach to the proper rigging hardware / sling(s)
5. Carefully raise the load so it will clear the van floor and move load to desired location
6. Unhook the load and stow the hook. Reposition the crane into the stowed position for travel, and secure the load.



ILLUSTRATIONS FOR REFERENCE ONLY



VENCO VENTURO INDUSTRIES LLC  
 CINCINNATI, OHIO

TITLE  
**USER INSTRUCTIONS**

**ESV-1000 SERIES CRANES**

DATE  
**02-20-17**

SUPERSEDES  
 -

SECTION  
**C200**

**ESV108**



# SECTION 300

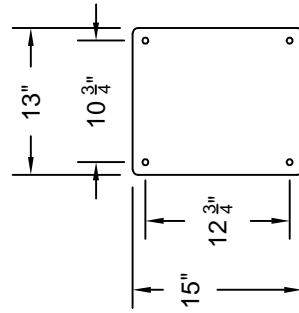
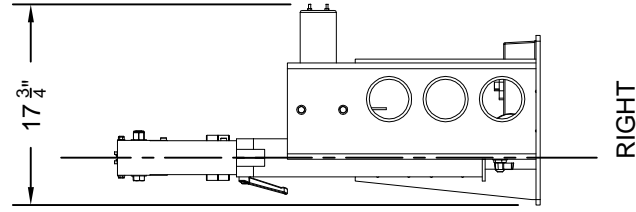
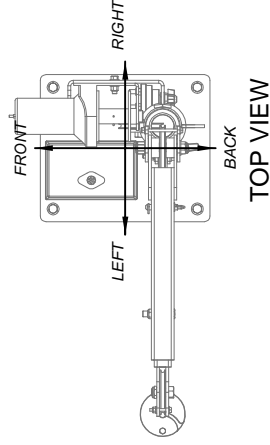
# SPECIFICATIONS

# CAUTION

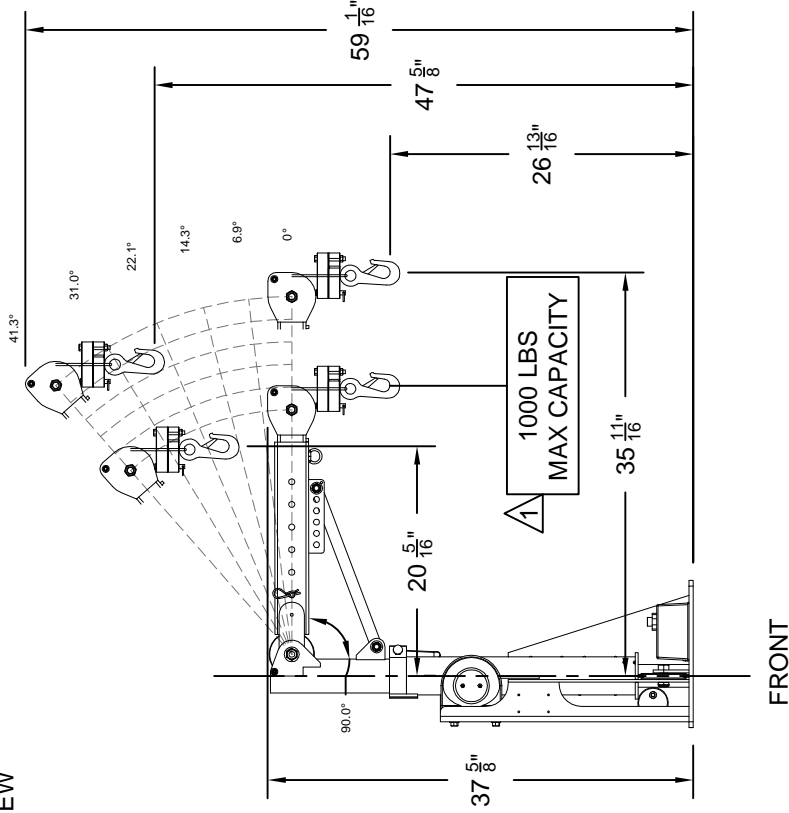
- 1000 LBS MAXIMUM CAPACITY IS BASED UPON TYPICAL VAN FLOOR STRUCTURE LIMITATIONS, NOT WINCH CAPACITY. IT IS THE SOLE RESPONSIBILITY OF THE INSTALLER TO DETERMINE IF ADDITIONAL FLOOR REINFORCEMENT IS NECESSARY.

# WARNING

- THESE PRODUCTS ARE NOT PASSENGER LIFTS. THEY ARE NOT DESIGNED OR INTENDED TO BE USED TO LIFT, SUPPORT OR OTHERWISE TRANSPORT PERSONNEL.



TOP VIEW



FRONT

RIGHT

BOTTOM

TITLE  
DIMENSIONS & CAPACITY

SECTION  
C300

DATE  
02-21-17

ESV-1000 SERIES CRANES

SUPERSEDES  
-

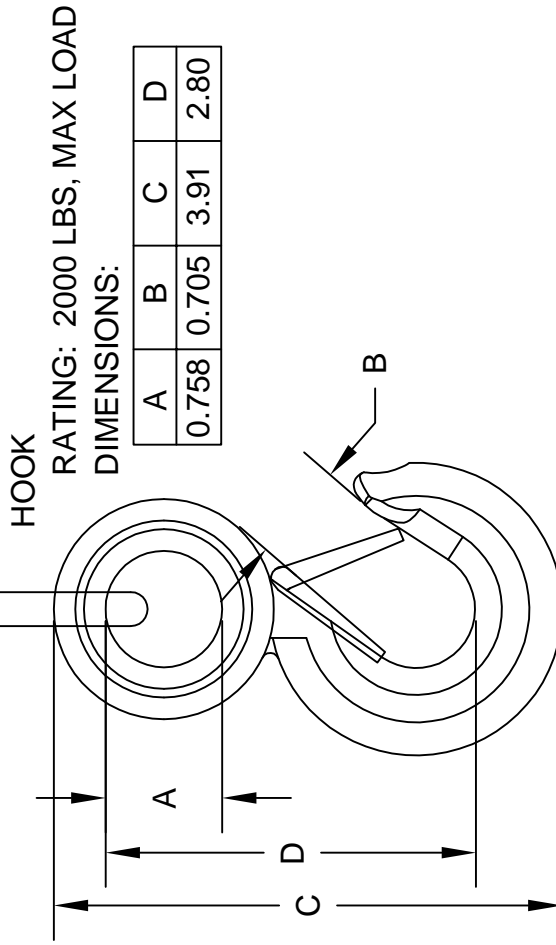
ESV109

VENCO VENTURO INDUSTRIES LLC  
CINCINNATI, OHIO



# 15810-3/16-25 WIREROPE ASSEMBLY

TYPE: 3/16" DIAMETER  
 7 x 19, GALVANIZED  
 (GAC 7X19 LHRL-IWRC, SB 4200)  
 LENGTH: 25'



VENCO VENTURO INDUSTRIES LLC  
 CINCINNATI, OHIO

TITLE  
 WIREROPE & HOOK SPECIFICATIONS

VC750FB/1000 & ESV-1000 SERIES CRANES

DATE  
 02-22-17G

SUPERSEDES  
 01-30-17F

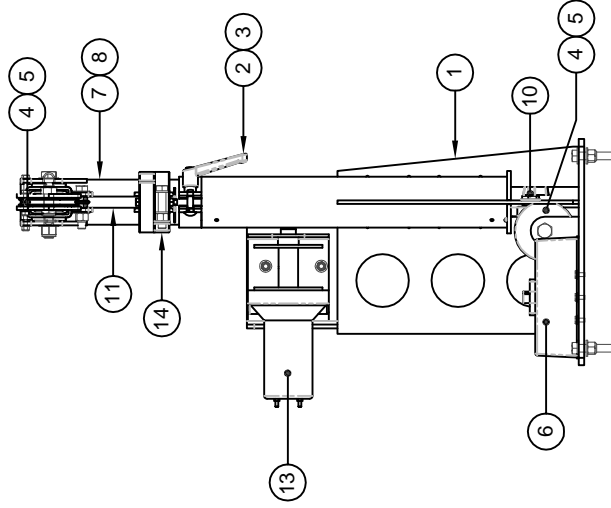
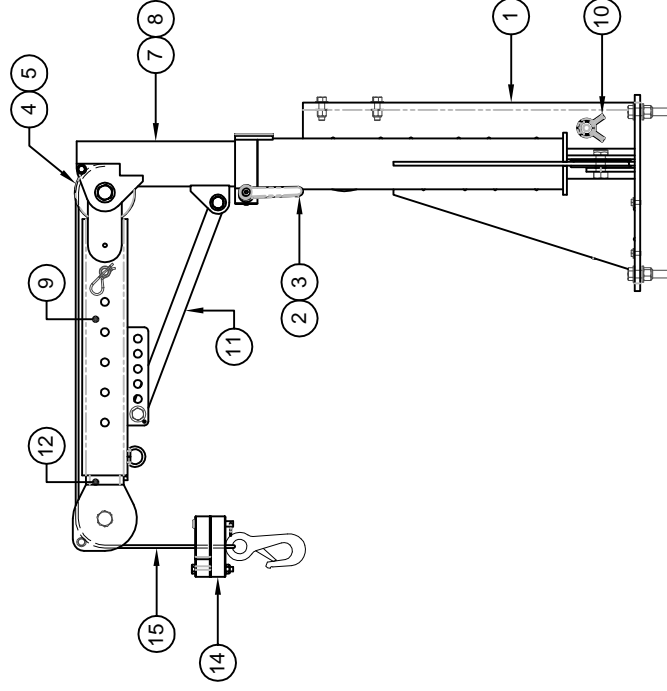
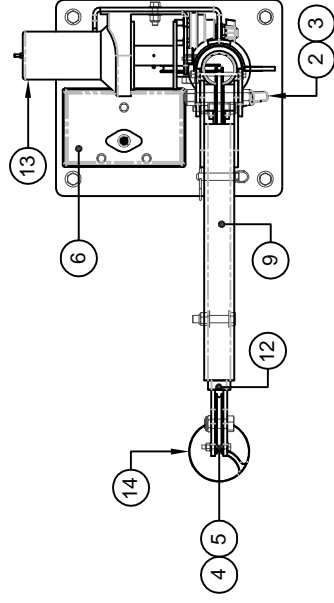
SECTION  
 C300

CEV162



# SECTION 400

# PARTS



REAR RIGHT INSTALLATION (#23380-2) SHOWN

REFERENCE REPLACEMENT PARTS LIST ESV111

<b>TITLE</b> REPLACEMENT PARTS DRAWING ESV-1000 SERIES CRANES	<b>DATE</b> 02-23-17	<b>SECTION</b> C400
	SUPPERSEDES -	<b>ESV110</b>



REPLACEMENT PARTS LIST  
 ESV-1000 SERIES CRANES

ITEM	PART NUMBER	QTY	DESCRIPTION
1	23381-2	1	BASE WELDMENT; ESVC
2	CE-017	1	BRAKE HANDLE
3	!CHCS03816150	1	CARRIAGE BOLT; 3/8-16 X 1-1/2" LG., GR. 5
4	13168-7	3	SHEAVE BUSHING
5	19646	3	SHEAVE W/ BUSHING
6	CE-008	1	CE-009 WINCH CONTACTOR BOX
7	23382	1	MAST WELDMENT; ESVC
8	23371	1	THRUST BEARING; BRONZE, 3" O.D. X 2" I.D. X 0.12" THICK
9	23383	1	PRIMARY BOOM WELDMENT; ESVC
10	13451	1	MASTER DISCONNECT SWITCH
11	23370	1	BOOM STRUT
12	23384	1	SECONDARY BOOM WELDMENT; ESVC
13	CE-009	1	WINCH W/ CABLE & TENSION KIT
14	16735	1	ASSEMBLY; HEADACHE BALL
15	-	-	-
16	-	-	-
17	-	-	-
18	-	-	-
19	-	-	-
20	-	-	-
21	-	-	-
22	-	-	-
23	-	-	-
24	-	-	-
25	-	-	-
26	-	-	-
27	-	-	-
28	-	-	-
29	-	-	-
30	-	-	-

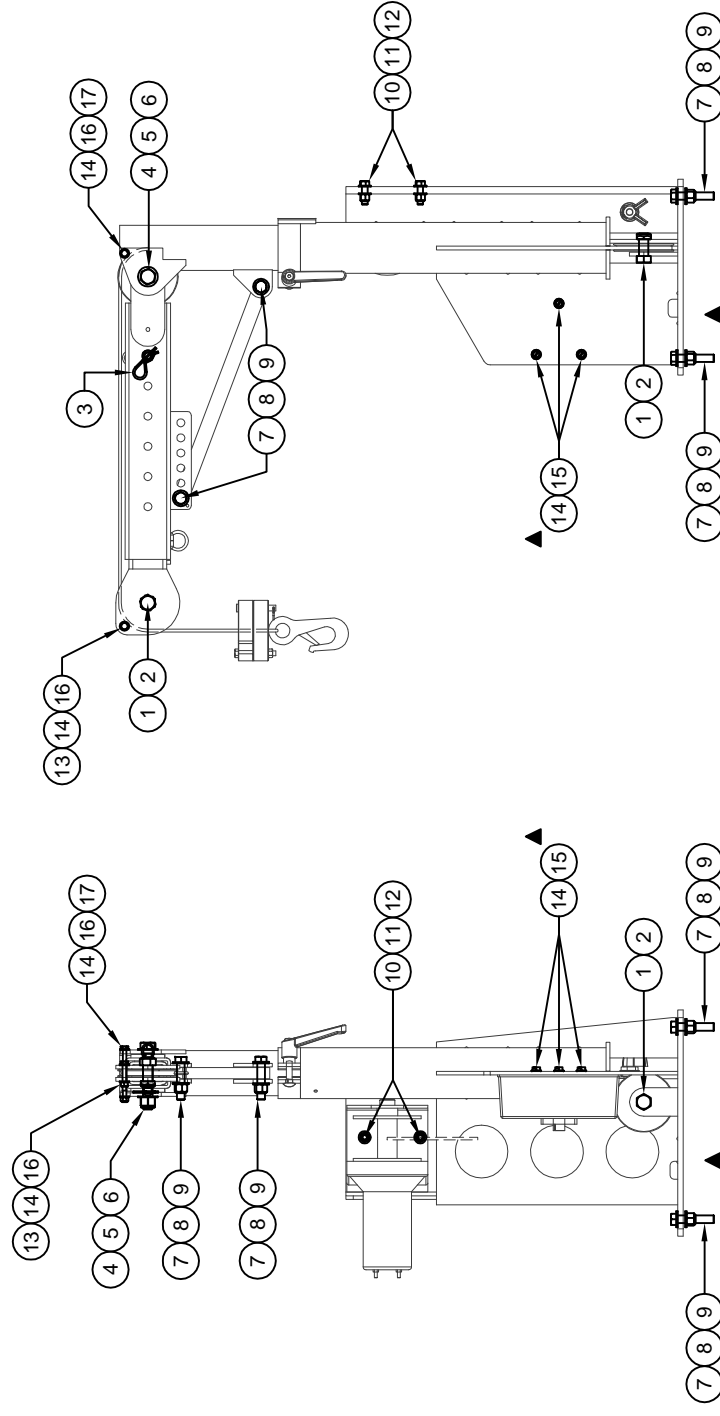
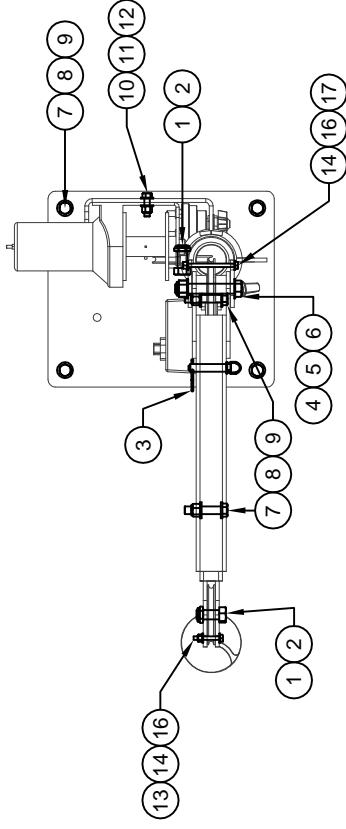
SEE REPLACEMENT PARTS DWG #ESV110



VENCO VENTURO INDUSTRIES LLC  
 CINCINNATI, OHIO

TITLE	DATE	SECTION
REPLCMNT PART LIST	02-24-17	C400
ESV-1000 SERIES CRNS	SUPERSEDES	ESV111
	-	





REFERENCE REPLACEMENT HARDWARE LIST ESV113

REAR RIGHT INSTALLATION (#23380-2) SHOWN



VENCO VENTURO INDUSTRIES LLC  
CINCINNATI, OHIO

TITLE  
**REPLACEMENT HARDWARE DRAWING**

DATE  
**01-05-18A**

SECTION  
**C400**

ESV-1000 SERIES CRANES


SUPERSEDES  
**02-24-17**

**ESV112**

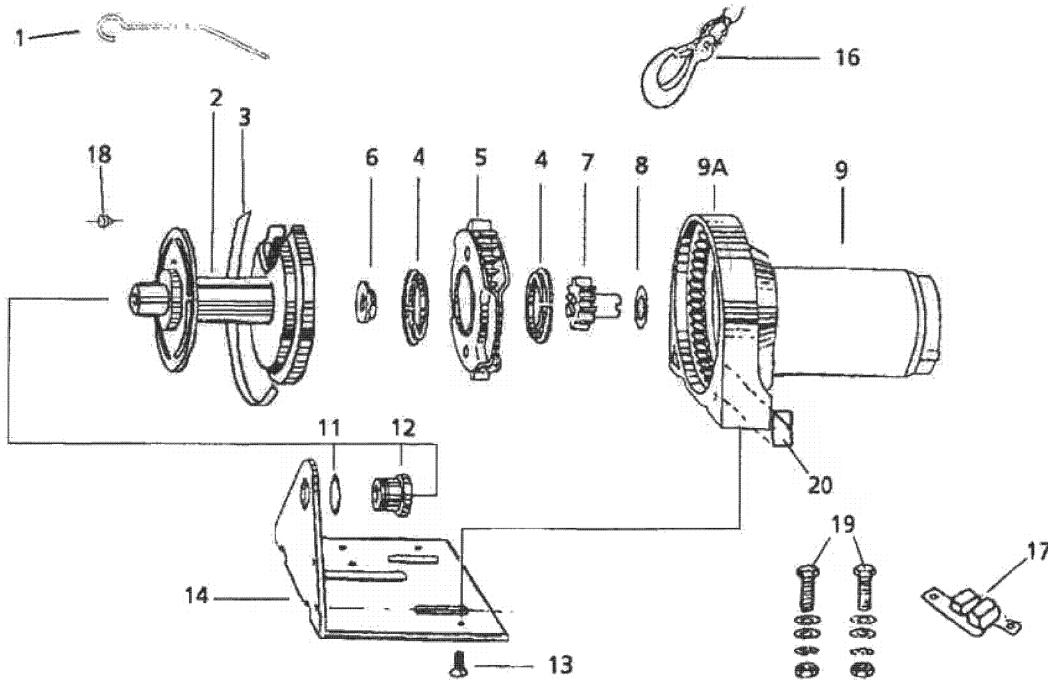
REPLACEMENT HARDWARE LIST  
 ESV-1000 SERIES CRANES

ITEM	PART NUMBER	QTY	DESCRIPTION
1	!JNUT-06311N	2	JAM NUT; 5/8-11, NYLON LOCK
2	!HHCS06311150-8	2	HEX HEAD CAP SCREW; 5/8-11 X 1-1/2" LG., GR. 8
3	CE-070	1	PIN ASSEMBLY
4	!HHCS06311400	1	HEX HEAD CAP SCREW; 5/8-11 X 4" LG.
5	!FWSH-063SAE	2	FLAT WASHER; 5/8", SAE
6	!LNUT-06311-8	1	LOCK NUT; 5/8-11, GR. 8
7	!HHCS05013250	6	HEX HEAD CAP SCREW; 1/2-13 X 2-1/2" LG.
8	!FWSH-050SAE	12	FLAT WASHER; 1/2", SAE
9	!LNUT-05013	6	LOCK NUT; 1/2-13
10	!FWSH-038SAE	4	FLAT WASHER; 3/8", SAE
11	!LNUT-03816	2	LOCK NUT; 3/8-16
12	!HHCS03816125	2	HEX HEAD CAP SCREW; 3/8-16 X 1-1/4" LG.
13	!HHCS02520125	1	HEX HEAD CAP SCREW; 1/4-20 X 1-1/4" LG.
14	!FWSH-025	7	FLAT WASHER; 1/4"
15	!HHCS02520050	3	HEX HEAD CAP SCREW; 1/4-20 X 1/2" LG.
16	!LNUT-02520	2	LOCK NUT; 1/4-20
17	!HHCS02520350	1	HEX HEAD CAP SCREW; 1/4-20 X 3-1/2" LG.
18	-	-	-
19	-	-	-
20	-	-	-
21	-	-	-
22	-	-	-
23	-	-	-
24	-	-	-
25	-	-	-
26	-	-	-
27	-	-	-
28	-	-	-
29	-	-	-
30	-	-	-

SEE REPLACEMENT PARTS DWG #ESV112

 VENCRO VENTURO INDUSTRIES LLC CINCINNATI, OHIO	TITLE	DATE	SECTION
	REPLCMNT HRDWR LIST	02-24-17	C400
	ESV-1000 SERIES CRNS	SUPERSEDES	ESV113
		-	

# REPLACEMENT PARTS LIST



Reference Number	Description	Part Number	Qty
1	Handsaver	89-32300	1
2	Rotating Gear Drum	90-32038	1
3	Perimeter Bearing	90-23137	1
4	Carrier Bearing	90-23140	2
5	Planetary Gearing Assembly	90-23138	1
6	Nylon Step Washer	90-12418	1
7	10-Tooth Sun Gear	90-22865	1
8	Flat Thrust Washer	90-23120-08	1
9A	Stationary Ring Gear w/ Needle Bearing	90-12629	1
9	12 Volt Motor w/Ring Gear & Needle Bearing	90-32425	1
	12 Volt Motor (external mtg bolt applications only)	90-33293	1
11	Shim Washer	90-23120-05	AR
12	Bushing	90-12174	1
13	5/16" Socket Head Cap Screw	90-23056-02	2
14	Main Frame Base Plate	90-41019	1
16	3/16" x 25' Cable & Hook Assembly	1511	1
17	12V Circuit Breaker Assembly	90-22873	1
18	Rope Retainer	90-12419	1
19	Pair of 3/8" Bolts & Nuts, 4 Flat Washers & 2 Locking Washers	90-22892	1
20	Handsaver Label	90-12417	1
NS	Pulley Block	2227	1

AR denotes "As Required"



VENCO VENTURO INDUSTRIES LLC  
CINCINNATI, OHIO

TITLE

WINCH RPLCMNT PARTS

DATE

02-24-17E

SECTION

C400



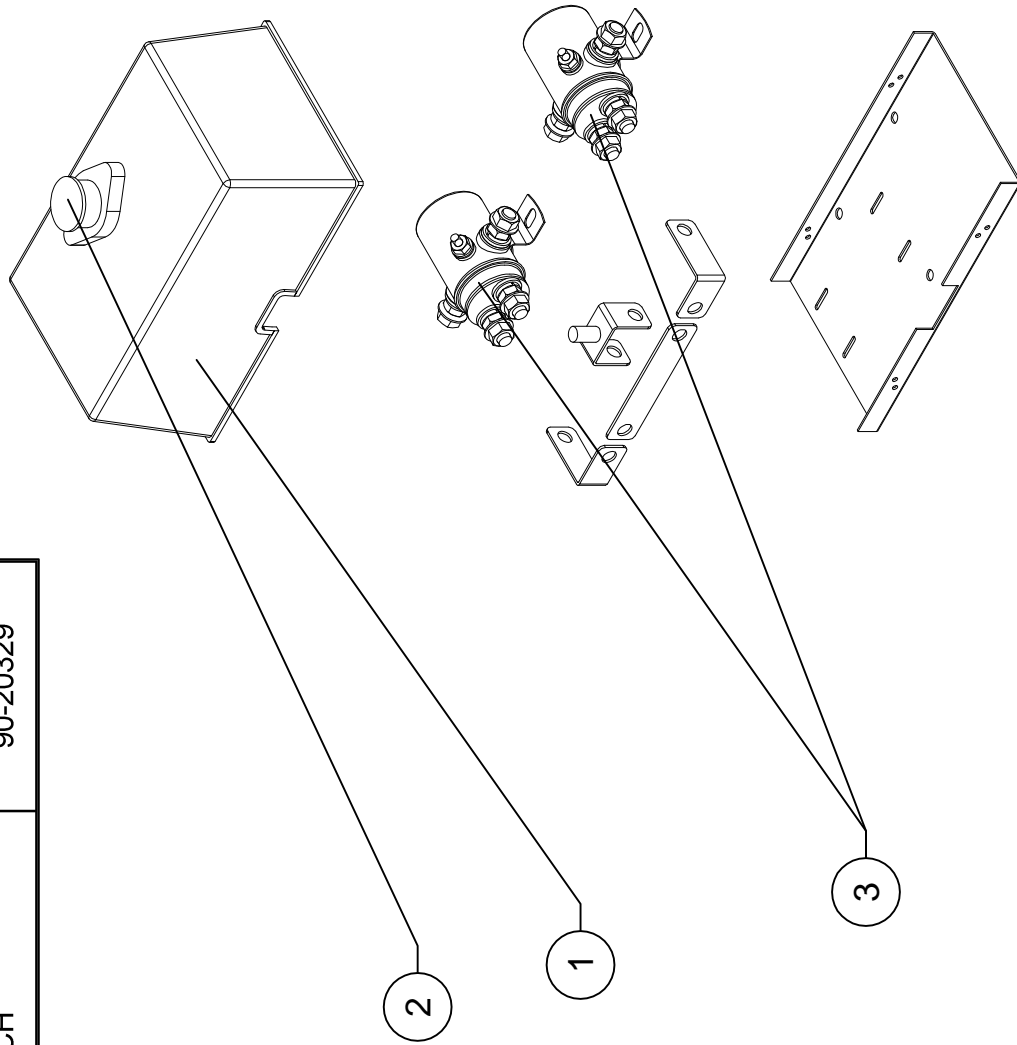
CE-1500-FB/CEV/ESV SERIES

SUPERSEDES

08-18-16D

CE-055

ITEM	QTY	DESCRIPTION	PART #
1	1	COVER; CONTACTOR BOX, PENDANT SOCKET	90-31079
2	1	PENDANT SOCKET, CONTACTOR BOX COVER	90-22115
3	2	SOLENOID; CONTACTOR BOX, WINCH	90-20329



VENCO VENTURO INDUSTRIES LLC  
CINCINNATI, OHIO



TITLE  
REPLACEMENT PARTS DIAGRAM

CE-008 CONTACTOR BOX

DATE  
08-30-16

SUPERSEDES  
-

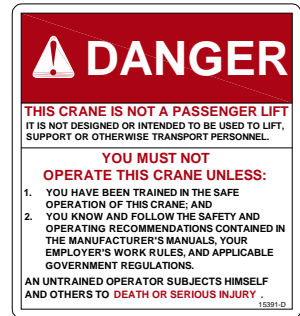
SECTION  
C400

CEV224

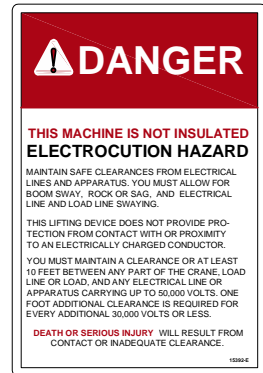
DECAL #: 15390  
 DESCRIPTION: CAUTION, INSPECT VEHICLE & CRANE...  
 PURPOSE: TO INFORM THE OPERATOR OF KEY OPERATING REQUIREMENTS.  
 QUANTITY: 1  
 PLACEMENT: UPPER MAST ON SIDE, OPPOSITE PRIMARY BOOM



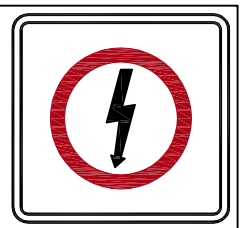
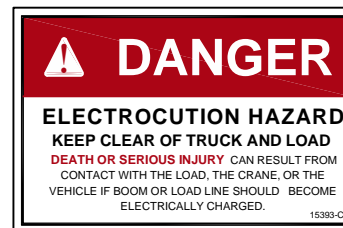
DECAL #: 15391  
 DESCRIPTION: DANGER, NOT A PASSENGER LIFT  
 PURPOSE: TO INFORM OPERATOR NOT TO LIFT, SUPPORT, OR TRANSPORT PERSONNEL, AND TO ENSURE OPERATOR IS ADEQUATELY TRAINED.  
 QUANTITY: 1  
 PLACEMENT: UPPER MAST ON SIDE, OPPOSITE PRIMARY BOOM



DECAL #: 15392  
 DESCRIPTION: DANGER, ELECTROCUTION HAZARD, MACHINE (CRANE)  
 PURPOSE: TO INFORM OPERATOR THAT MACHINE (CRANE) REPRESENTS AN ELECTROCUTION HAZARD SHOULD IT COME CLOSE TO OR IN CONTACT WITH AN ELECTRICAL VOLTAGE SOURCE.  
 QUANTITY: 1  
 PLACEMENT: UPPER MAST ON SIDE, OPPOSITE PRIMARY BOOM



DECAL #: 15393  
 DESCRIPTION: DANGER, ELECTROCUTION HAZARD, VEHICLE (TRUCK)  
 PURPOSE: WARNS OF DANGER FROM ELECTRICALLY CHARGED VEHICLE, CRANE, OR LOAD.  
 QUANTITY: 4  
 PLACEMENT: EACH SIDE & EACH END OF VEHICLE



VENCO VENTURO INDUSTRIES LLC  
 CINCINNATI, OHIO

TITLE  
**SAFETY DECALS**

VENTURO VAN CRANES

DATE  
 09-29-16A

SUPERSEDES  
 08-02-16

SECTION  
**C400**

**CEV170**

DECAL #: 15513  
 DESCRIPTION: MASTER DISCONNECT SWITCH  
 PURPOSE: TO INFORM THE OPERATOR OF LOCATION AND OPERATION OF MASTER DISCONNECT SWITCH  
 QUANTITY: 1  
 PLACEMENT: ON MASTER DISCONNECT SWITCH BRACKET



DECAL #: 15398  
 DESCRIPTION: UNPLUG REMOTE CONTROL  
 PURPOSE: TO INFORM OPERATOR TO UNPLUG REMOTE CONTROL WHEN NOT IN USE  
 QUANTITY: 1  
 PLACEMENT: NEAR PENDANT SOCKET



DECAL #: 573403  
 DESCRIPTION: WARNING - STOWING  
 PURPOSE: TO INFORM OPERATOR TO STAY AWAY FROM THE BOOM WHEN STOWING  
 QUANTITY: 1  
 PLACEMENT: UPPER MAST ON SIDE, OPPOSITE PRIMARY BOOM



VENCO VENTURO INDUSTRIES LLC  
 CINCINNATI, OHIO

TITLE	DATE	SECTION
SAFETY DECALS	09-29-16A	C400 ▲
VENTURO VAN CRANES	SUPERSEDES 08-02-16	CEV171

DECAL DRAWING & LIST  
 ESV-1000 SERIES CRANES

PART NO.: 15672-1000  
 DECAL: CAPACITY 1000 LBS  
 FUNCTION: TO INFORM OPERATOR OF MAXIMUM LIFTING CAPACITY  
 QUANTITY: 2  
 PLACEMENT: SECONDARY BOOM PLATE, BOTH SIDES



PART NO.: CEV326  
 DECAL: MODEL NAME  
 FUNCTION: TO SHOW THE MODEL OF THE CRANE  
 QUANTITY: 1  
 PLACEMENT: ONE ON BACK SIDE OF WINCH MOUNTING PLATE



PART NO.: ▲ 17389-4  
 DECAL: VENTURO  
 FUNCTION: MANUFACTURER'S LOGO  
 QUANTITY: 1  
 PLACEMENT: ▲ GUSSET FACING REAR



PART NO.: 24964 (MAY NOT APPLY TO ALL MODELS)  
 DECAL: DANGER, STABILIZERS, STAND CLEAR  
 FUNCTION: TO INFORM OPERATOR TO STAND CLEAR OF STABILIZER JACK LEG  
 QUANTITY: 2  
 PLACEMENT: JACK LEG, NEAR TOP ON SAME SIDE AS HAND CRANK



TITLE  
 DECAL DRAWING & LIST

DATE  
 01-05-18A

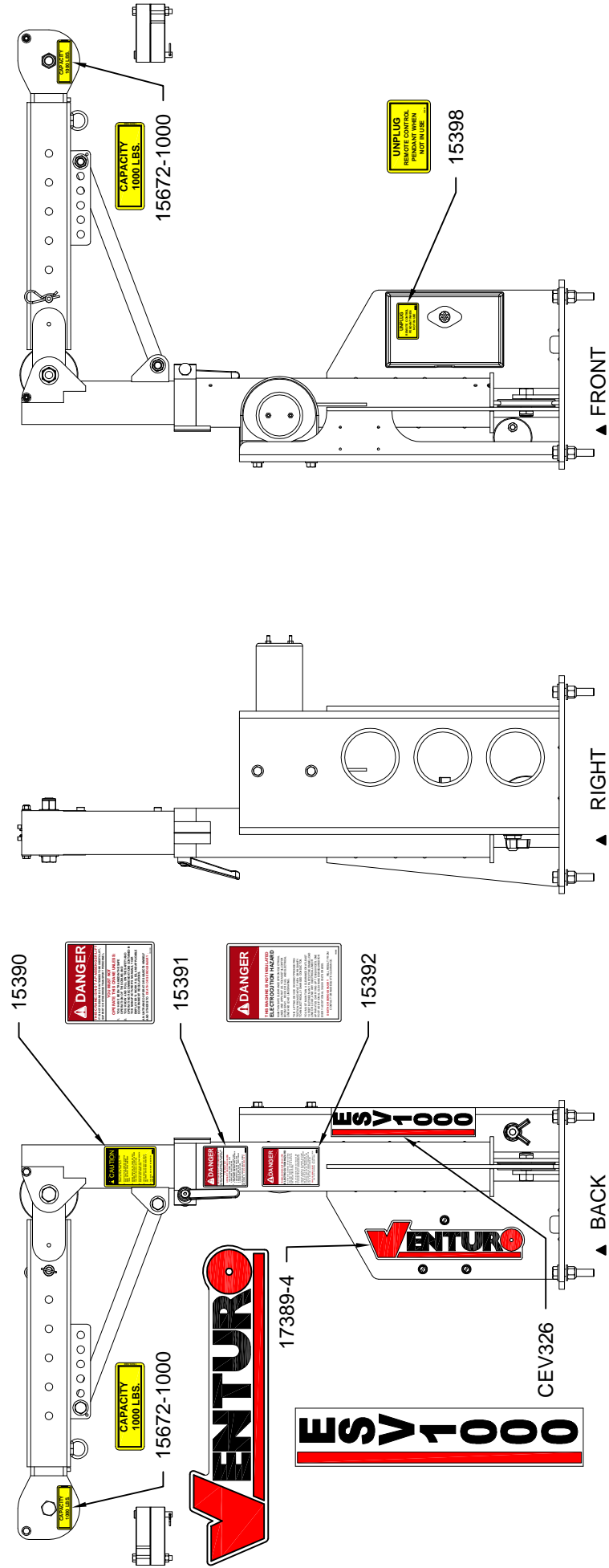
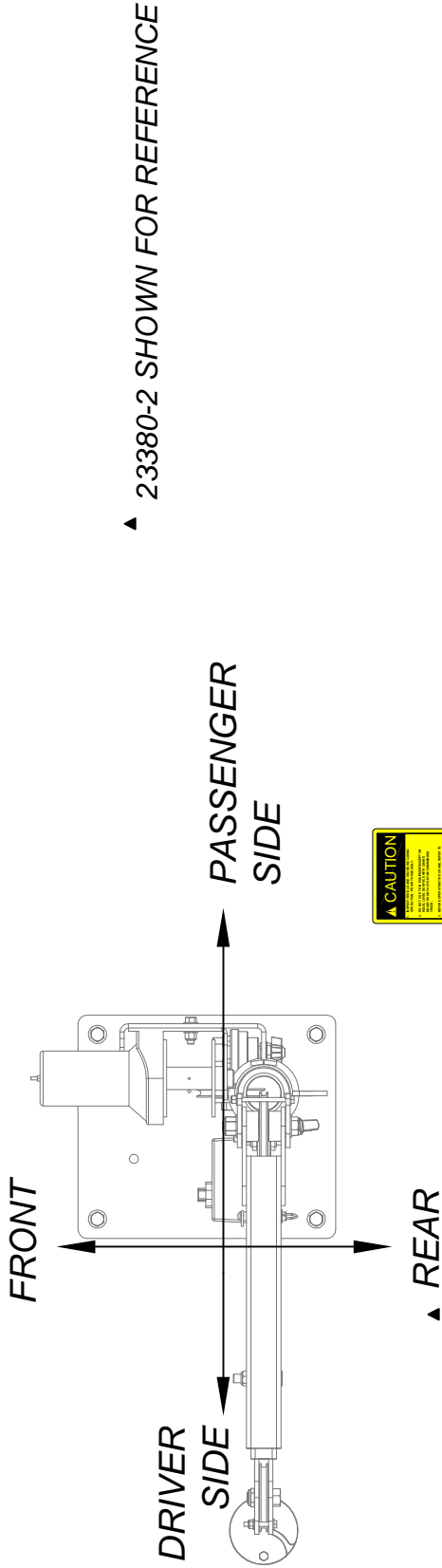
SECTION  
 C400

ESV-1000 SERIES CRANES

SUPERSEDES  
 02-24-17

ESV114

\*\* ALL VIEWS ARE REFERENCED FROM AN INSTALLATION ON THE REAR PASSENGER SIDE OF VEHICLE \*\*



TITLE <b>DECAL LOCATIONS</b>		SECTION <b>C400</b>
DATE <b>01-08-18A</b>		SUPERSEDES <b>02-27-17</b>
ESV-1000 SERIES CRANES		<b>ESV115</b>
VENTURO® Venco VENTURO INDUSTRIES LLC CINCINNATI, OHIO		



ITEM NO.	PART NO.	QTY	DESCRIPTION
1	15397	1	BOM; ACCIDENT PREVENTION SIGNS
2	17389-4	1	DECAL; VENTURO (SMALL)
3	15672-1000	2	DECAL; CAPACITY, 1000 LBS
4	CEV326	1	DECAL; MODEL, ESV1000
5	ESV117	1	IDWG: FIELD SERVICE LABEL KIT

15397 ACCIDENT PREVENTION SIGNS		
PART NO.	QTY.	DESCRIPTION
15390	1	DECAL; CAUTION, OPERATIONS
15391	1	DECAL; DANGER, NOT PASSENGER LIFT
15392	1	DECAL; DANGER, ELECTRICAL HAZARD SIGN
15393	4	DECAL; DANGER, ELECTRICAL HAZARD
15394	1	APPLICATION INSTRUCTIONS
15398	1	DECAL; UNPLUG PENDANT
15401	1	DECAL; UNLAWFUL TO OPERATE
15513	1	DECAL; MASTER DISCONNECT
22317	1	DECAL SHEET; VENTURO, COMPLEMENTARY
20927	1	DECAL; CRANE STABILITY



VENCO VENTURO INDUSTRIES LLC  
 CINCINNATI, OHIO

TITLE  
 FIELD SERVICE LABEL KIT  
 ESV-1000 SERIES CRANES

DATE  
 02-27-17  
 SUPERSEDES  
 -

SECTION  
 C400  
 ESV116







# VENTURO CRANES LIMITED WARRANTY POLICY

Venturo products are built to last...we guarantee them.

As a purchaser of any new Venturo product covered by warranty, you will receive 1 year of the most complete coverage available...and, at no added cost to you.

## 1-Year Limited Warranty Policy

This limited policy warrants new products of Venturo to be free from defects in material and workmanship for a period of one (1) year from date of original installation. OEM products or accessories purchased by Venturo as part of or offered with our product will carry the OEM manufacturer's respective warranty. Our warranty covers:

- ***Repair or replacement of product***
- ***Labor to repair or replace product***
- ***Freight to return and/or replace product***

We shall not be liable for any contingent liabilities arising out of the improper function of any products. Warranty shall become void if the product is improperly installed, modified, damaged, abused or used for application other than intended use. There is no warranty of merchantability, fitness for a particular purpose, warranty arising from course of dealing or usage of trade, or any other implied or expressed warranty, except as made specifically herein. This warranty supersedes all previous warranties, written or implied.

## Warranty Claims

Venco Venturo Industries LLC will make a good faith effort for prompt correction or other adjustment with respect to any product, which proves to be defective after our inspection and within the warranty period. Before any repairs are attempted or before returning any product, your Venturo Distributor is required to obtain a warranty claim number. This number is necessary for any claim to be considered. To obtain a warranty claim number, Venturo requires the model and serial number. Only authorized Venturo Distributors can perform warranty. For the name and address of your local Venturo Distributor call the **Warranty Claim Department - 513-772-8448**.

**WARNING** - It is the responsibility of the installer to ensure the installation is completed according to the manufacturer's recommendations, ensure the ultimate user understands how to operate product in a safe manner, and understands the need for regular service and maintenance by an authorized Venturo Distributor. No modifications or alterations may be made to any Venturo product without the expressed written consent of Venco Venturo Industries LLC. Installation of any Venturo product must be done by an authorized Venturo Distributor, to the standards of the industry; including maintenance, service and affixing of all instruction, safety and warning decals. Users should be instructed as to the safe operation at time of delivery. Maintenance, service, operation and safety warning decals are available on request from Venco Venturo Industries LLC.

**VENCO VENTURO INDUSTRIES LLC**  
12110 BEST PLACE | CINCINNATI, OHIO 45241  
P: 800-226-2238 | F: 513-326-5427  
[www.venturo.com](http://www.venturo.com)