



The Ventura CE6K is available with your choice of boom sizes, mast heights, and winches to meet a variety of lifting needs.



# CE6K

## FEATURES

- 2,000 LBS Lifting Capacity at 3 FT
- 1,500 LBS Lifting Capacity with 120V AC Winch
- 6,000 FT-LB Moment Rating
- Electric Power (12V DC or 120V AC)
- 3-5 FT manual boom; optional 4-7 FT manual boom
- 3-position boom elevation (20 deg., 40 deg., 60 deg.)
- Compact footprint: 10" x 10" base plate with 7.5" x 7.5" bolt pattern

### Standard Winch Features

- 35 FT of 3/16" aircraft-quality wire rope
- 12V DC permanent magnet, 1.3 hp motor
- Planetary geartrain with 159:1 reduction
- Wrap spring brake

### Heavy Duty Winch Features

- 65 Ft of 3/16" aircraft-quality wire rope
- 12V DC permanent magnet, 1.5hp motor
- 3-stage planetary geartrain with 216:1 reduction
- Dual-load applied dynamic braking system
- 3.5" diameter drum meets ANSI B30.5 specs

## STANDARD EQUIPMENT

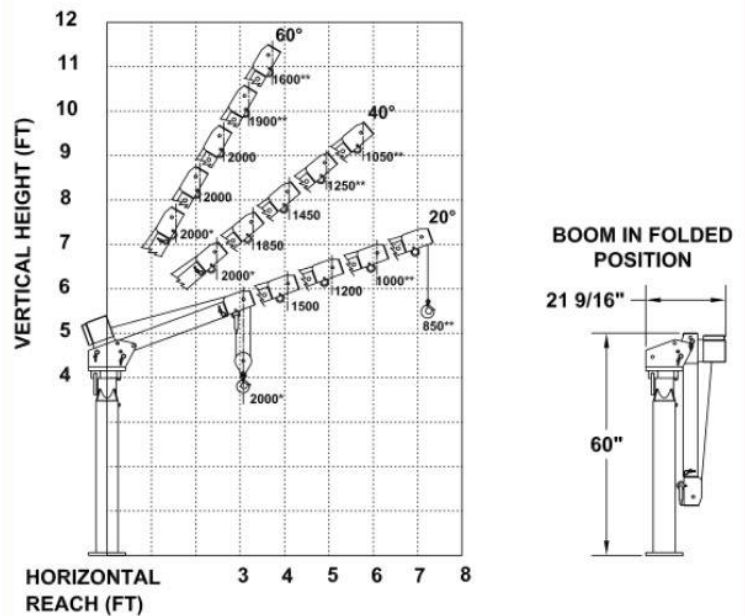
- Remote Control Pendant: 12 FT cord with Quick Disconnect
- Load block with swivel hook and safety latch
- Battery Cable: 25 Ft., 4-Gauge
- Weight: 247 LBS (3-5 FT Boom)
- Weight: 265 LBS (4-7 FT Boom)

## OPTIONS

- Short mast for utility body mounting
- 120V AC winch (1,500 LB Max Capacity)
- Circuit Breaker
- Outriggers for all style bodies

LIFTING CAPACITIES	
REACH (FT.)	CAPACITY (LBS.)
3	2,000
5	1,200
7	850

## CE6K - 3-5 FT AND 4-7 FT BOOM MAXIMUM CAPACITY CHART



\* 3-5 FT BOOM ONLY  
\*\* 4-7 FT BOOM ONLY

MUST USE SNATCH BLOCK FOR LOADS GREATER THAN 1000 LBS.

MAXIMUM CAPACITY OF 120V AC WINCH IS 1500 LBS.

