



TRUCK BODIES & EQUIPMENT INTERNATIONAL, Inc.

Website: www.rugbymfg.com

E-mail: sales@TBEI.com

Phone: 1-866-899-9045



055177

STAKELESS LANDSCAPER ASSEMBLY AND OPERATION MANUAL

To Be Filled In By Installer

Landscaper Serial #: _____

In Service Date: _____

Dealer: _____

Address: _____

City, State ZIP: _____

Dealer Phone Number: _____

This manual applies to the Stakeless Landscaper body. This manual should be kept in the glove compartment of the truck the body is installed on.

Original Revision: November 13, 2011

Current Revision: C January 4, 2012

"WARNINGS"

WARNING: Being under a raised body can result in serious injury or death should the body unexpectedly descend. **Never** position yourself or allow others to position themselves under a **loaded** body or **unloaded unsupported** body. **Always** prop the **unloaded** body up using the body prop or body props supplied. **Remember** body props are to be used only on an **unloaded** body. When two props are provided, both props must be used. After the body prop/props are raised, lower the body to rest on the body prop/props.

WARNING: Welding, oxy-fuel cutting, or grinding sparks can cause fuel to ignite that in turn can lead to injury or death. **Always** take adequate steps to avoid ignition of fuel from fuel tanks when welding, grinding, or oxy-fuel cutting during equipment installation.

WARNING: Heat from the truck's exhaust system can cause hydraulic component failure and may lead to a fire that could cause injury or death. **Always** install equipment in locations where heat from the exhaust system will not damage any hydraulic component.

WARNING: Malfunctioning equipment can cause property damage, injury or death. **Always** have faulty equipment repaired before continuing its use. Consult the manufacturer if required.

WARNING: The inadvertent shorting of the vehicle's electrical supply can cause a fire or equipment damage that could lead to injury or death. **Always** disconnect the vehicle battery prior to installing, servicing, or repairing the power unit.

WARNING: Damage to brake lines during equipment installation, or installing bolts or equipment in such a way that the line will rub and become damaged can lead to brake failure which can cause an accident and can lead to severe injury or death. **Always** take adequate steps to prevent brake line damage during installation and isolate brake lines from installed equipment.

WARNING: Do not raise or drive a raised body against a power line. Bringing body in contact with a power line or a power source will result in serious injury or death by electrocution.

WARNING: Do not raise or drive a raised body against another object. Doing so could result in equipment or property damage, bodily injury or death.

WARNING: Do not dump while on uneven ground or if vehicle is in an uneven position from side to side. Dumping unevenly can cause vehicle to overturn and cause equipment or property damage, personal injury, or death.

WARNING: Stay clear of dump body when dumping. Moving vehicle parts or the moving load could cause injury or death.

WARNING: Check load making sure that rocks or any other object will not spill out of vehicle while transporting load. Falling objects can cause equipment or property damage, bodily injury or death.

WARNING: Make sure all doors are closed and latched before moving vehicle. Swinging doors or falling objects can cause equipment or property damage, bodily injury or death.

WARNING: Overloading of a vehicle can cause vehicle component damage or an accident which may cause injury or death. **Never** exceed the gross vehicle weight (GVWR) or the gross axle weight (GAWR) rating of your vehicle.

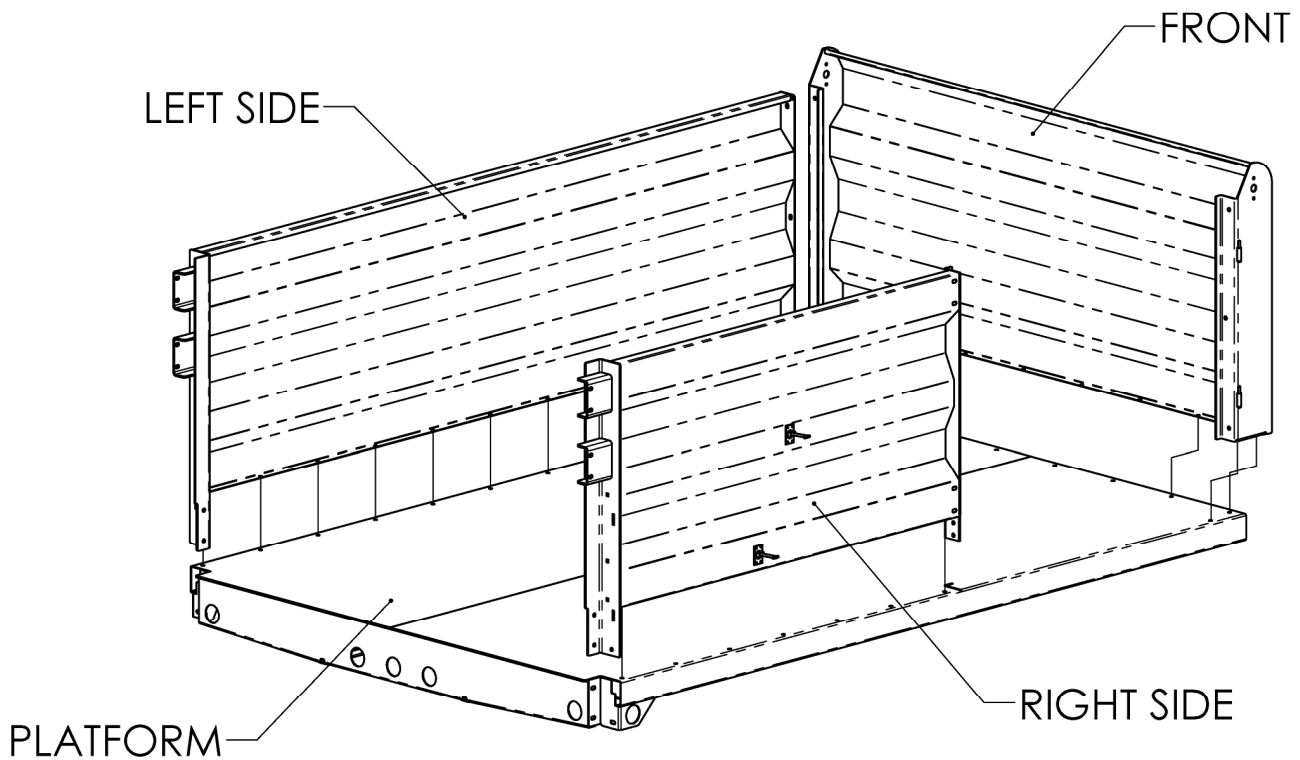
WARNING: Not installing or operating equipment correctly can cause component damage or an accident that may cause injury or death. **Always** install and operate equipment in accordance with manufacturer's instructions. Read and understand this manual fully before proceeding.

"INSTALLATION INSTRUCTIONS"

NOTE: The following steps are to be followed as a general guideline when assembling and installing the landscaper body. This manual does not cover mounting on a frame. Refer to the hoist installation manual and body prop manual for proper mounting.

1. Start by putting the Left Side, Right Side, and Front onto the Platform. This task will require 2 persons to accomplish easily. Place the left side onto the platform, then drop flange bolts into holes along the bottom edge of the side. Install Flange Bolts per step 2 before proceeding after placing each Side and Front. Put the Sides in first, then the Front. Refer to Figure 1.

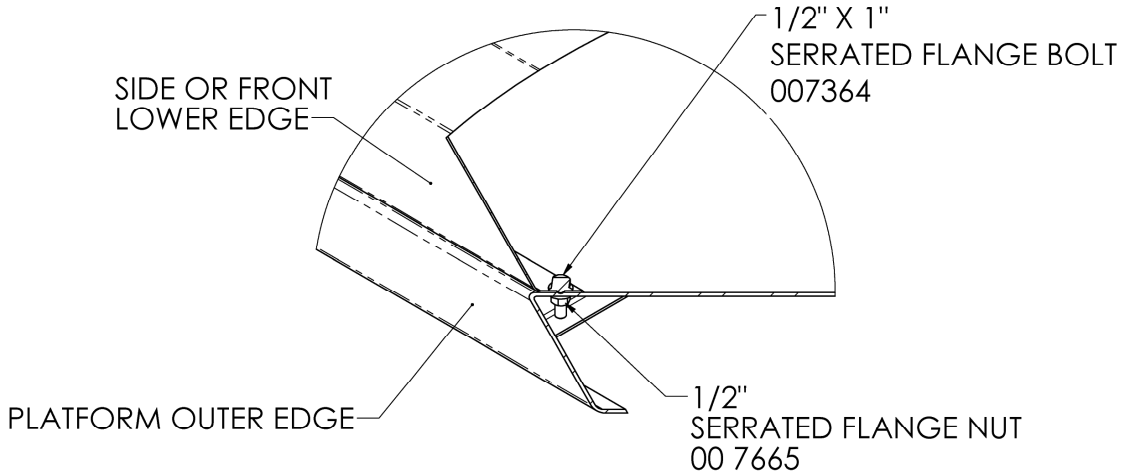
FIGURE 1



NOTES: Sides, Front, and bolt-on hinges all use 1/2" X 1" Serrated Flange Bolts (007364), except (8) 1/2" X 1-1/2" Serated Flange Bolts (00 7348) used on the hinges for rear doors and (1) on the right corner of the front.

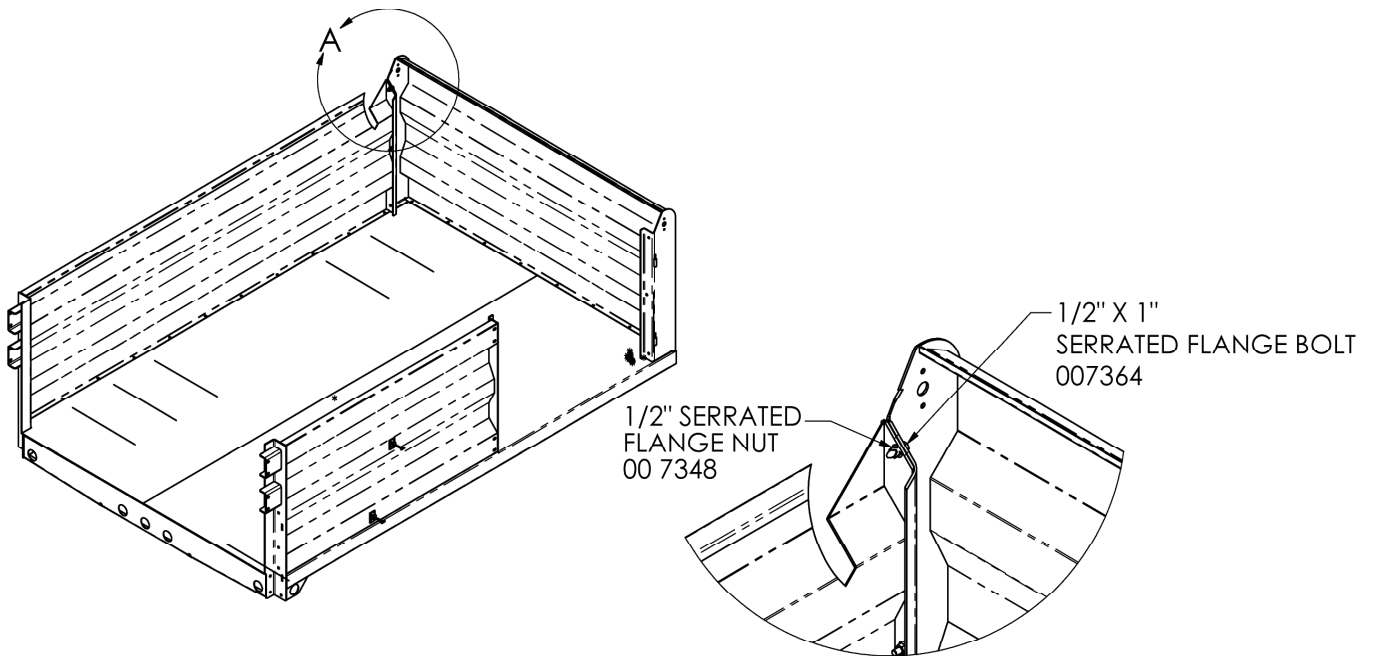
2. Bolt the Front and Sides down using all 1/2" X 1" Serrated Flange Bolt (007364), except front right corner will use 1/2" X 1-1/2" Serrated Flange Bolt (00 7348), and Serrated Flange Nut (00 7665). This step will require 1 person inside the body to insert the bolt, and one person outside the body to hold the nut. Hand-tighten the nuts, do not tighten with a wrench. The bolts must be loose to allow for squaring of the sides later. Refer to Figure 2.

FIGURE 2



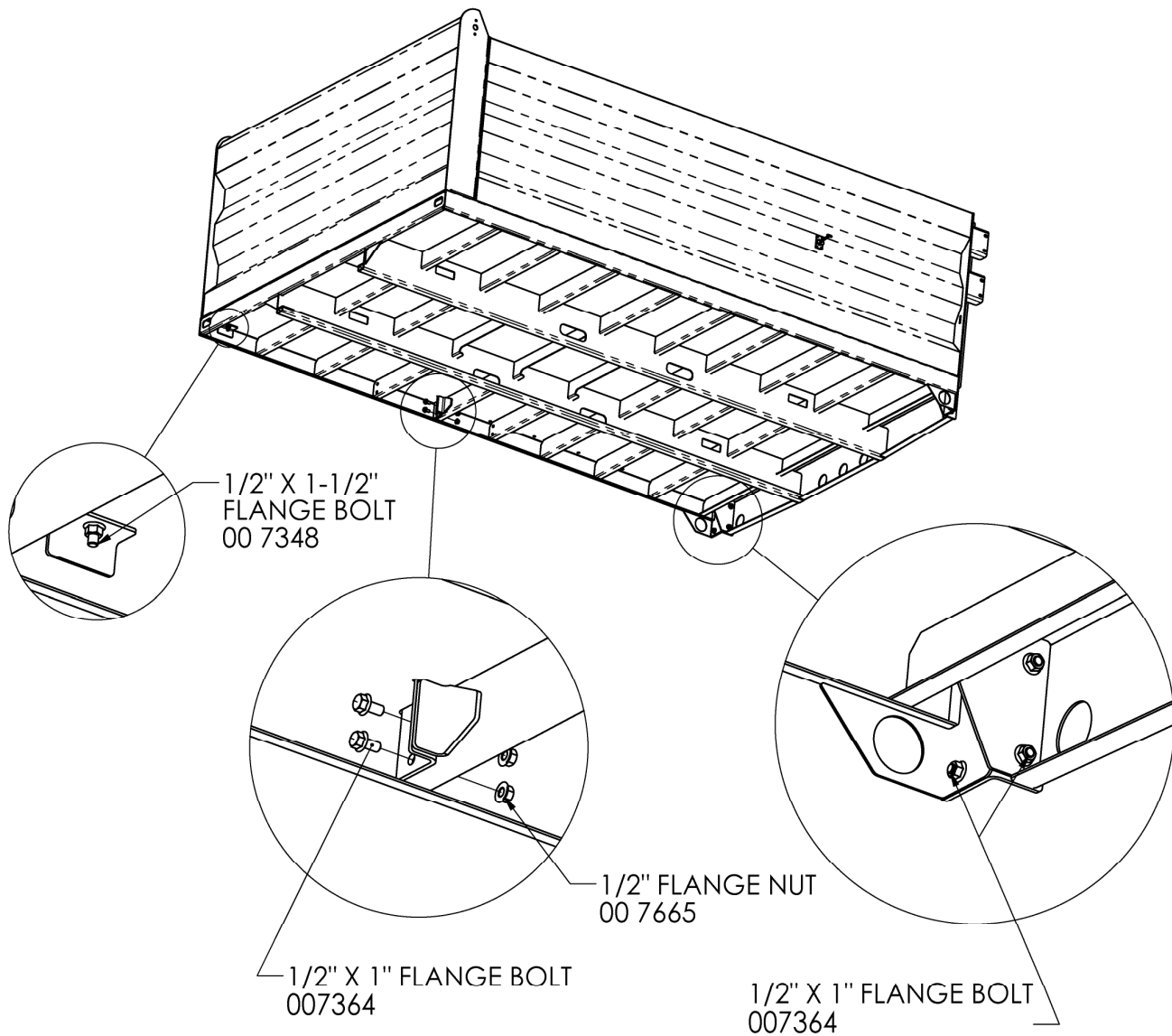
3. Bolt the Left Side to the Front using 1/2" X 1" Serrated Flange Bolt (007364) and 1/2" Serrated Flange Nut (00 7348). Refer to Figure 3.

FIGURE 3



4. Bolt the rear corners of the Sides to the Platform using 1/2" x 1" Serrated Flange Bolt (007364) and 1/2" Serrated Flange Nut (00 7665). Bolt the end stake of the right side to the cross-sill under the platform deck. Refer to Figure 4.

FIGURE 4



5. Install the left and right rear doors. Assemble hinges as shown in Figure 5. Install the door latch hardware as shown in Figure 6. Adjust the U-bolt so the doors close tightly. Close and latch the doors. Adjust and tighten the hinge bolts to get the proper fit of the doors.

FIGURE 5

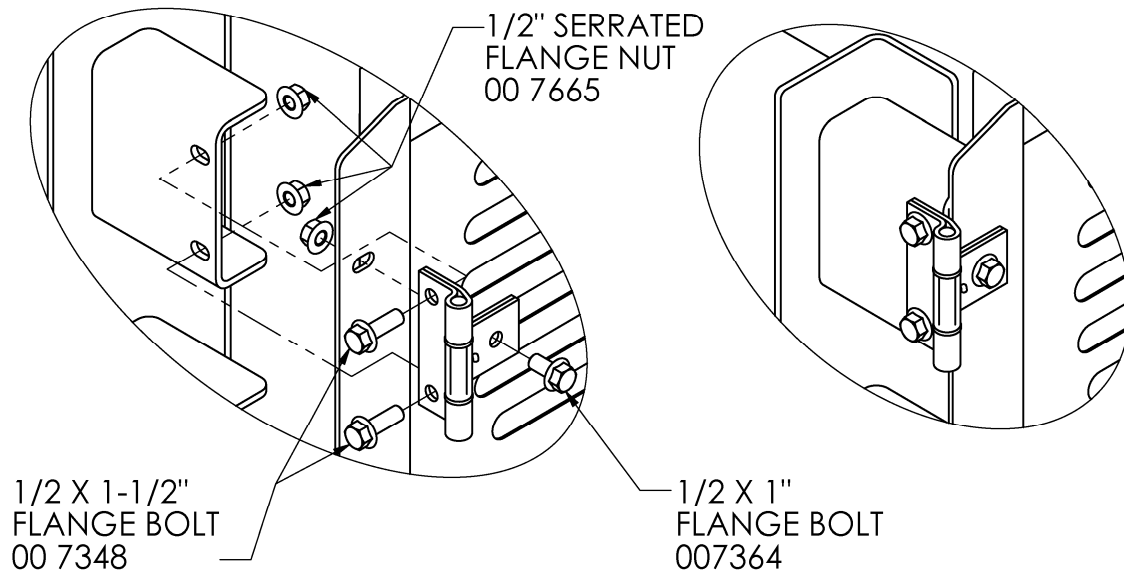
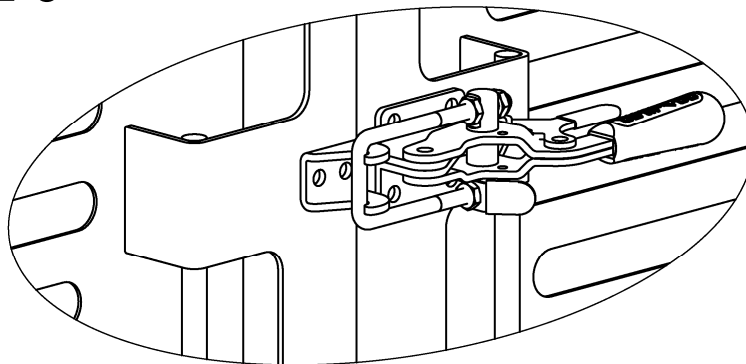
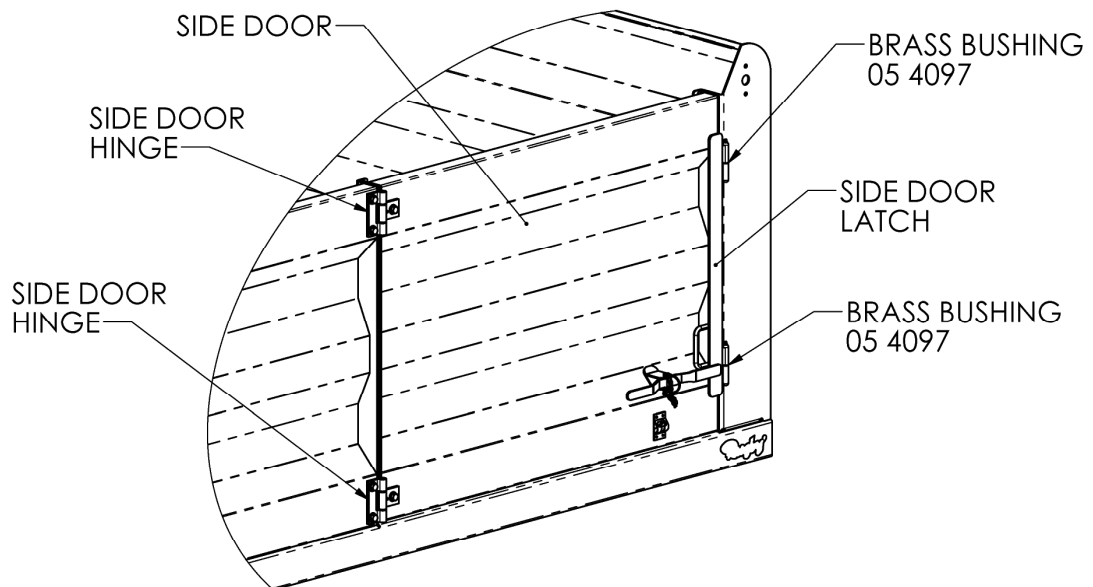


FIGURE 6



6. Install the side door on the right side. Refer to Figure 7. Bolt the side door hinges to the door, then to the side, with 1/2" X 1" Serrated Flange Bolts (007364) and Serrated Flange Nuts (007665) Place the brass .39" Weld Hinge Bushings (05 4097) onto the hinge pins on the right side of the Front. Place the Latch Plate on hinges. Close and latch the door using the latch.

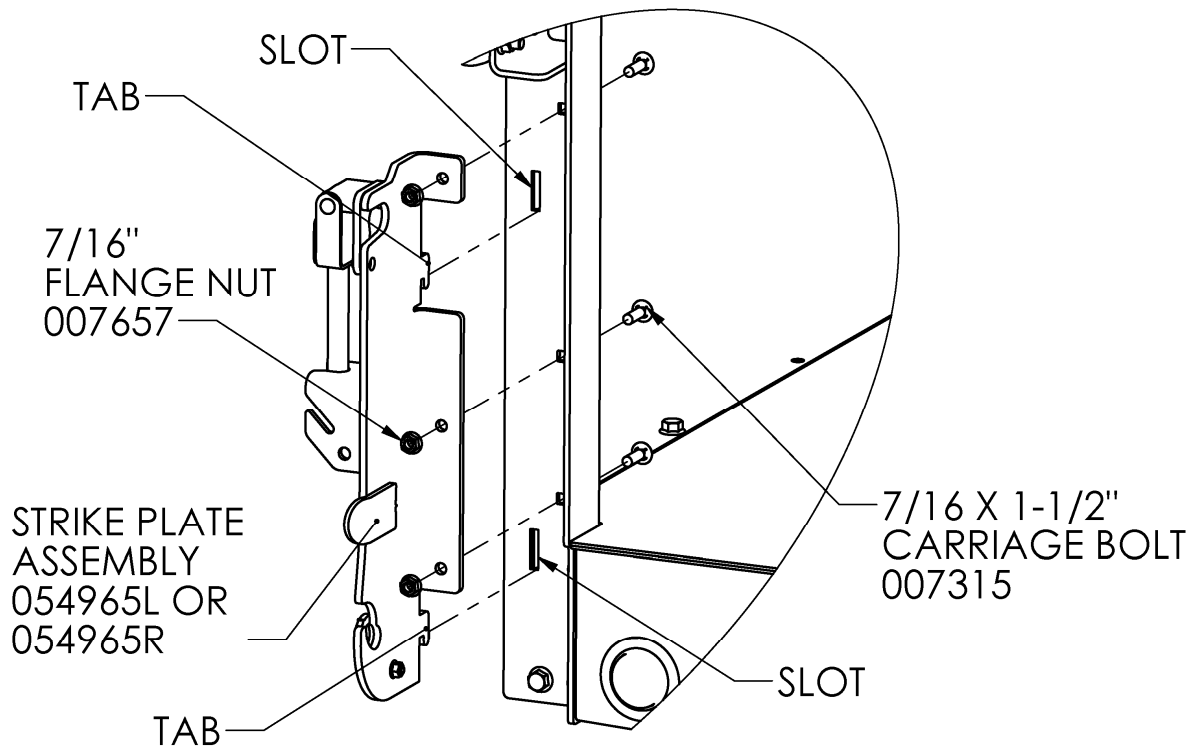
FIGURE 7



7. Square the front and sides, and tighten everything down. Use the rear doors as a guide to make sure the sides are even.

8. Install the endgate EZ-Latch Strike Plate Assembly. Slide the tabs on the bracket into the slots on the rear of the side panels. Secure the brackets with 7/16" x 1-1/2" Carriage Bolts (007315) and 7/16" Flange Nuts (007657). Refer to Figure 8.

FIGURE 8



9. Install the Endgate by placing the bottom shafts into the lower grooves. Close the endgate and secure with the E-Z Latch on both sides. Install the lower shaft keepers and secure with flange bolt and washers provided. Refer to Figure 12.
10. Attach a chain to both sides of the endgate using the chain and connector provided. Place the free end of the chains into the slotted keeper in the corner post. Adjust so that both sides are even, and so the endgate is horizontal when supported by the chains.
11. Install the Plastic Handle Cover over the handle of the E-Z Latch. Install the Handle Cover (05 4223) over the side door latch handle.
12. Grease the 8 (eight) grease fittings located on the hinges.
13. Install labels and decals. Refer to Figures 9 & 10.
14. Install the lights and wiring harness. Refer to Figure 10.

FIGURE 9

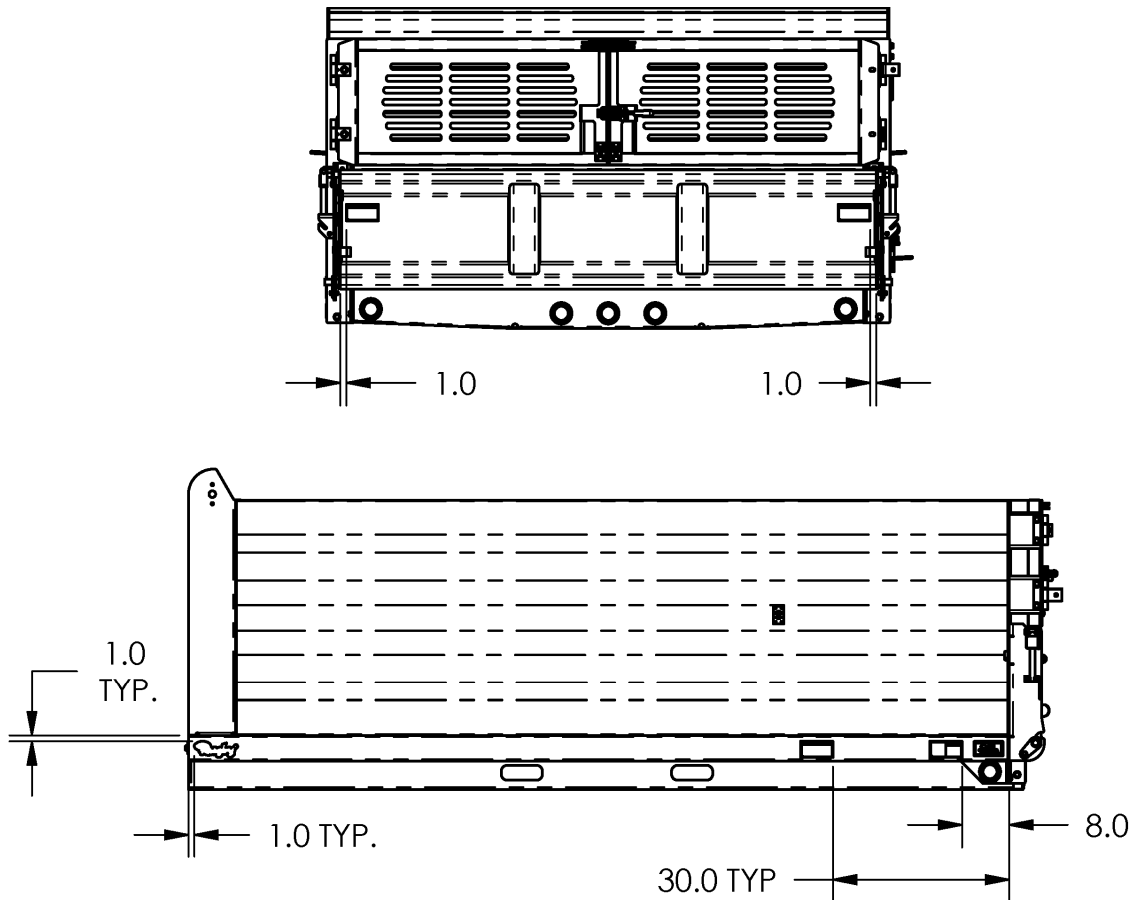
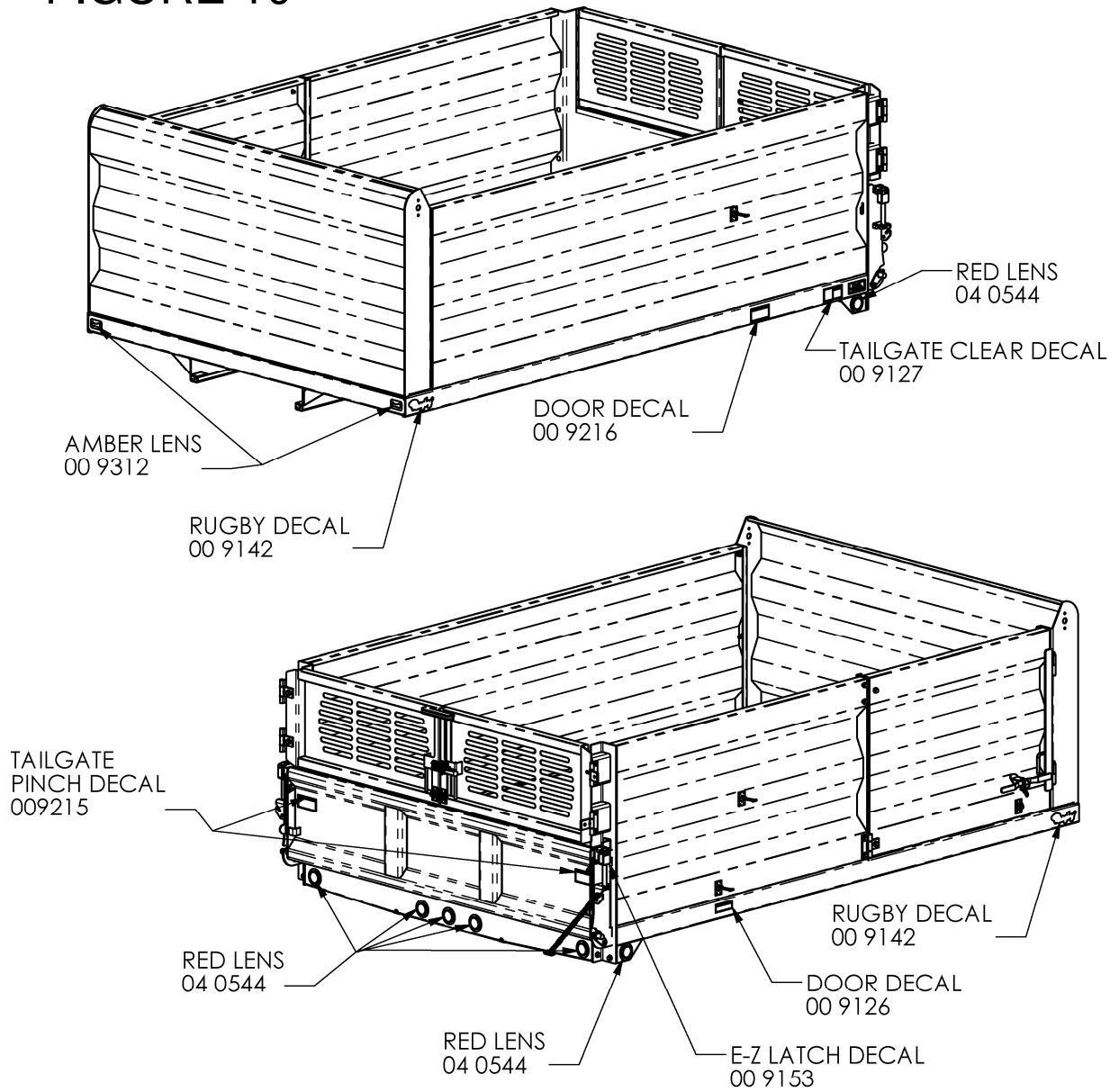


FIGURE 10



"OPERATION INSTRUCTIONS"

NOTE: Follow good safety practices and be aware of your surroundings when operating this product. Read and follow the general warnings found at the beginning of this manual.

Side Door Operation

The side door is opened by removing the pin that holds the handle closed. After the pin is removed, the handle can swing out of the way, and the door can be opened. To close the door, swing the door shut, close the latch, and re-insert the pin, making sure the bail goes over the end of the pin.

WARNING: Always close and secure the doors before moving the vehicle. Failure to do so may result in the doors swinging out. If the swinging door strikes a person, serious injury or death could result. In addition, the landscaper may be damaged.

Rear Door Operation

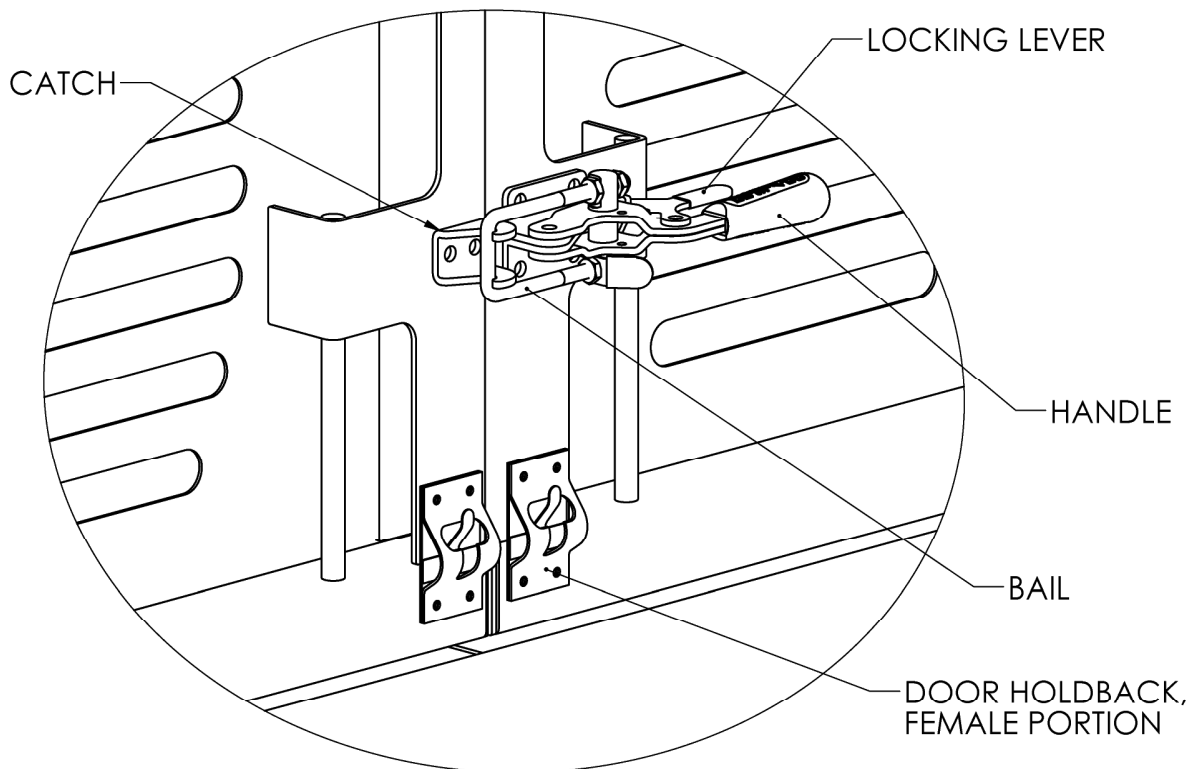
The rear doors are equipped with an over center locking clamp to close and hold the doors securely. To open the doors, squeeze the locking lever and pull the handle forward. Fold the doors back against the sides of the body. The doors are equipped with a holdback on the sides of the body. Use these to hold the doors open while dumping, loading, or unloading. Refer to Figure 11.

WARNING: The door holdbacks are not designed to hold the doors open while the vehicle is moving. Never rely on them to do this. Always close and secure the doors before moving the vehicle.

To close the doors, swing the doors into position. Position the clamp bail over the catch, and push the lever to its closed position, making sure the locking lever engages its catch.

WARNING: Always close and secure the doors before moving the vehicle. Failure to do so may result in the doors swinging out. If the swinging door strikes a person, serious injury or death could result. In addition, the landscaper may be damaged.

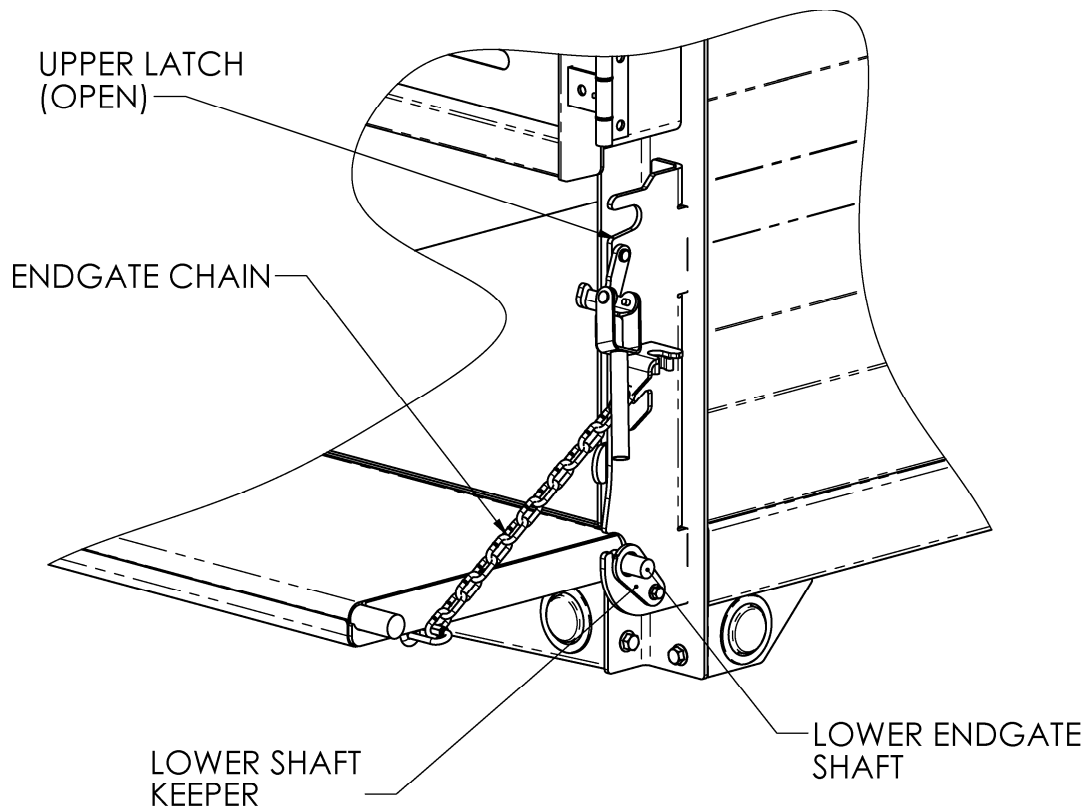
FIGURE 11



Endgate Operation

The endgate is designed so that it can be closed, opened, or removed. Avoid placing hands or any other body parts in locations where they could be pinched by the tailgate. The tailgate is heavy, and serious injury could result. Refer to Figure 12 for component identification.

FIGURE 12



Opening and Closing the Endgate.

1. Make sure the lower shafts are in their proper slots on both sides. Make sure the lower shafts are secured with the lower shaft keepers. Make sure the endgate chains are installed correctly. Open the upper endgate latch on one side of the body.
2. Repeat Step #1 for the upper latch on the other side while holding the endgate closed.
3. Allow the endgate to rotate open until the chains hold it in position. The endgate should be parallel to the floor of the landscaper.

WARNING: Failure to support the endgate top while opening the endgate will result in the endgate rotating open uncontrollably and could result in serious injury. Support the endgate at the very top while opening the endgate.

WARNING: Failure to keep extremities away from chains and other pinch points while opening the endgate could result in serious injury. When opening the endgate, hold the endgate only at the very top away from chains and other pinch points.

4. To close the endgate, rotate the top of the endgate up.
5. Close one top endgate latch first, then the other.

Removing and Installing the Endgate.

1. Open the endgate following the directions given above for opening the endgate.
2. Remove the lower shaft keepers.
3. Lift up slightly and push in on the endgate. Remove the chains from the corner posts.
4. The endgate can now be pulled away from the body. Be sure to support the endgate to prevent it from swinging uncontrollably and causing injury.

WARNING: The endgate is heavy and awkward to handle. It is best to have two people remove the endgate. Keep extremities away from pinch points while removing the endgate. The endgate must be properly supported to prevent it from dropping.

5. To re-install the endgate, lift the endgate so that the lower shafts are in the grooves.
6. Re-attach the chains to the corner posts.
7. Reinstall the lower shaft keepers.
8. Close the endgate following the directions given above for closing the endgate.

"OPTIONAL EQUIPMENT INSTALLATION"

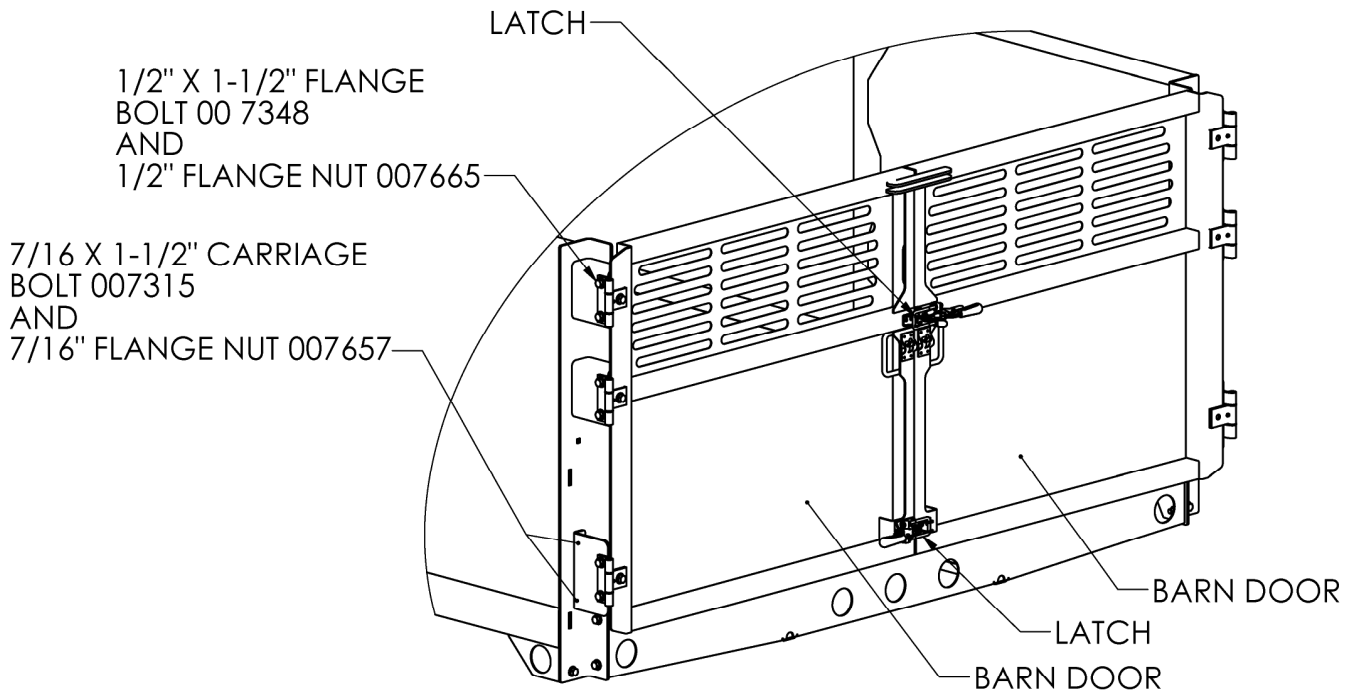
Barn Doors

The landscaper can be ordered with optional full height barn doors. These replace the standard doors and endgate.

The barn doors come with a lower bracket which bolts to the rear of the side panels using 7/16" x 1-1/2" Carriage Bolts (007315) and 7/16" Flange Nuts (007657). The door hinges then bolt to the lower bracket and the standard upper brackets using 1/2" x 1-1/2" Flange Bolts (007348) and 1/2" Flange Nuts (007665). Refer to Figure 13 and Figure 5.

Square the doors and latch with the two center latches. Fully tighten the flange bolts and nuts after the doors are squared.

FIGURE 13



Chipper Cover and Ladder Rack

The landscaper can be ordered with optional chipper covers

The quantity and size of the covers will vary, depending on the length of the landscaper. A 12' body is shown. Refer to Figure 14.

1. Bolt the pairs of covers to each other, to form a pair that will span the body width. Bolt the covers with 3/8" x 1" Flange Bolts (00 7283) and 3/8" Flange Nuts (00 7652).
2. Place the long cover on the body. This cover will go to the front of the body. Bolt the front panel to the cover with 3/8" x 1" Flange Bolts and Flange Nuts. Reinforce the joint with a Center Brace (05 4246), as shown in Figure 15.
3. Place the remaining sections on the body, and bolt to each other with 3/8" x 1" Flange Bolts and Flange Nuts. Reinforce the joints with Center Brace (05 4246), as shown in Figure 15.
4. Line up the cover so it is symmetric side to side, and pushed all the way to the front. Install a strip of butyl tape (00 4919) between the bottom of the cover and the top of the tarp rail. Use the provided 1/4" x 3/4" thread cutting screws to attach the front panel to the body front panel, and the bottom of the cover to the top of the tarp rail.
5. Attach the ladder rack to the cover using 1/4" x 3/4" thread cutting screws as shown.

FIGURE 14

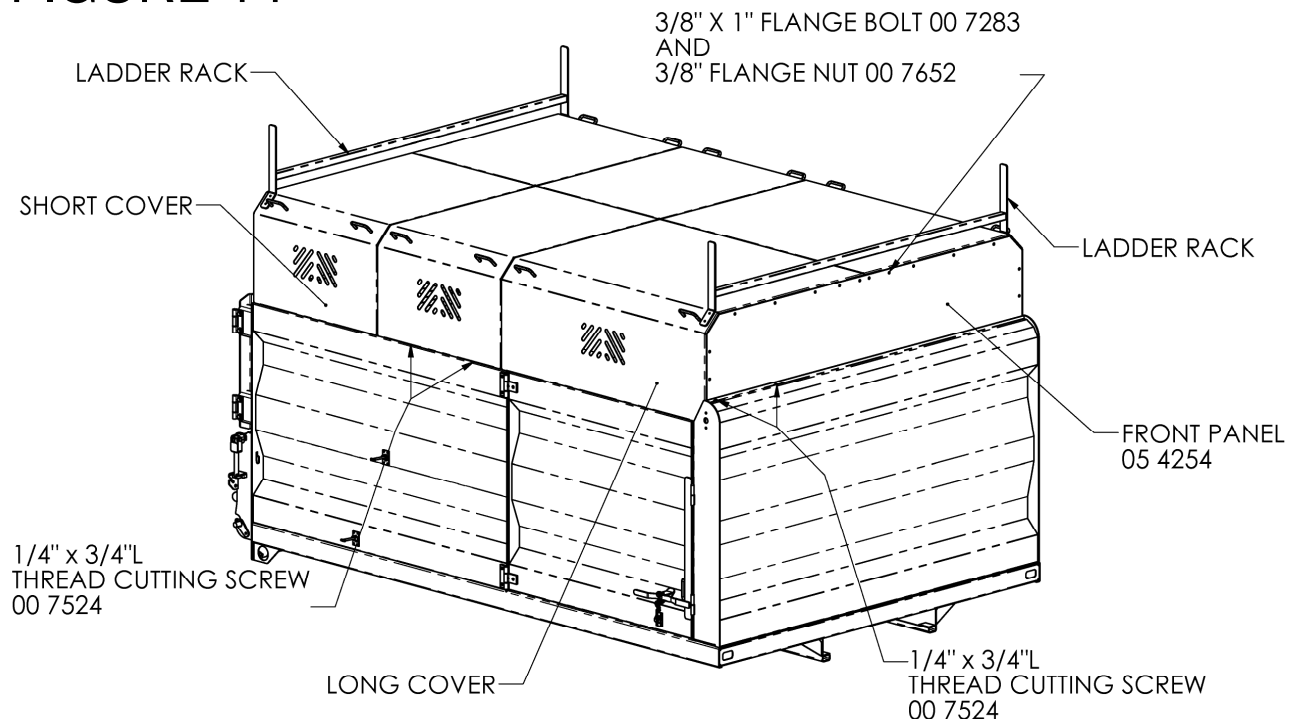
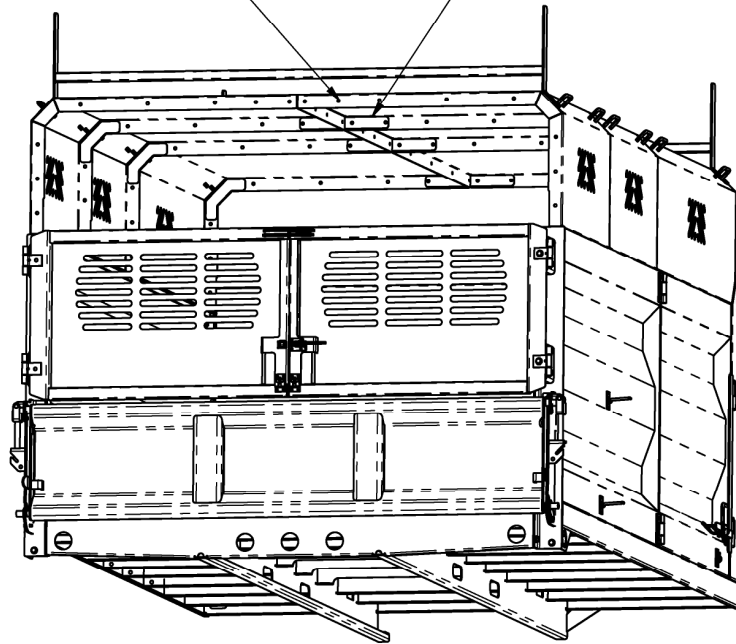


FIGURE 15

3/8" X 1" FLANGE BOLT 00 7283
AND
3/8" FLANGE NUT 00 7652

CENTER BRACE
05 4256



"MAINTENANCE"

Grease Fittings

Grease the fittings found on the door and latch hinges periodically. This should be done at least every time the truck is greased, and whenever the hinges appear to be lacking grease.

Lighting

Inspect the lighting periodically for proper operation. Replace or repair any damaged wiring, broken lenses, broken bulbs, or burnt out bulbs. Proper lighting is critical to the safe operation of the vehicle.

Decals

Decals must be present and readable on the body. If any decals are missing or damaged, they must be replaced. To obtain replacement decals, contact your "Rugby" dealer. Refer to the Figures 9 & 10 for decal numbers and location.

WARNING: Missing or damaged decals can lead to accidents that may cause serious injuries or death.