



Heavy Duty Planetary HD-P 10,000



- Rated Line pull 10,000 lbs
- Available with air shift
- Recommended cable 7/16"
- Meets SAE J706
- Available with a Blocked Clutch
- Made in the USA
- Motor spool (open center)
directional control valve required



HD-P 10,000 Features

- Spring applied, hydraulic released multi disc brake
- Quiet brake, designed for low maintenance
- High efficiency planetary gear set
- Foot mount or mid mount
- Fairlead and cable tension optional
- Manual or air operated free spool
- Winch reel-in rotation can be changed by reversing position of cartridge and plug in counterbalance valve

Winch Dimensions

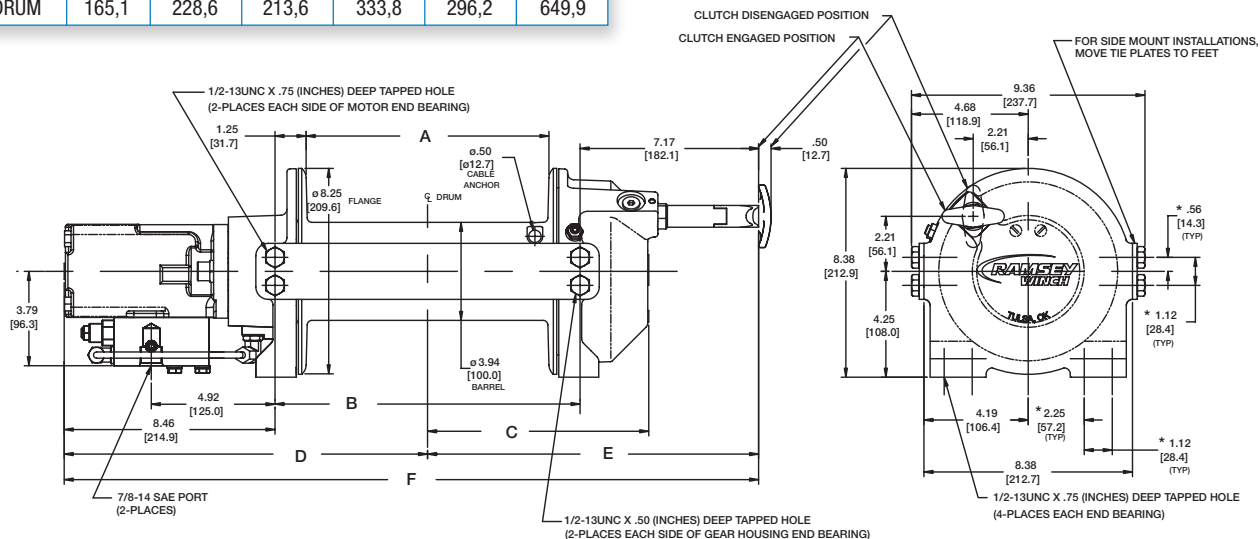
WINCH MODEL	A INCHES MM	B INCHES MM	C INCHES MM	D INCHES MM	E INCHES MM	F INCHES MM
HD-P 10,000 STD. DRUM	9.75 247,7	12.25 311,2	10.04 255,0	15.55 344,9	13.28 337,4	28.84 732,5
HD-P 10,000 "Y" DRUM	6.50 165,1	9.00 228,6	8.41 213,6	13.93 333,8	11.66 296,2	25.59 649,9

Specifications

Rated Line Pull	10,000 lbs.....(4,530 kgs)
Gear Reduction5.1:1
Weight (without cable)	HD-P 10,000-STD.....87 lbs. (39.5 kgs) HD-P 10,000 "Y".....82 lbs. (37.2 kgs)

LAYER OF CABLE		1	2	3	4
*RATED LINE PULL PER LAYER	Lbs.	10,000	8,300	7,100	6,200
	Kgs.	4,530	3,760	3,220	2,810
CABLE CAPACITY HD-P 8,000 (STD. DRUM)	Ft.	20	50	80	115
	M.	6	15	24	35
CABLE CAPACITY HD-P 8,000 ("Y" DRUM)	Ft.	15	30	55	75
	M.	4	9	16	22
LINE SPEED (at 15 GPM)	FPM	32	38	44	51
	(MPM)	(9.8)	(11.6)	(13.4)	(15.5)

* These specifications are based on recommended wire rope of 7/16" (11mm) galvanized aircraft cable, or EIPS cable and a 24.9 cu in. /Rev. motor.



Min. flow of 7 GPM required, working pressure of 2100 psi required to pull rated load.