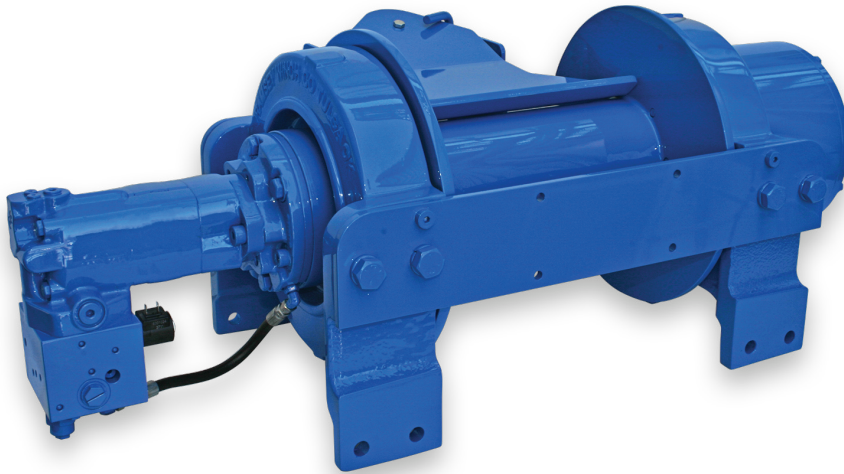




HDP 35

Heavy Duty Planetary



35,000 lb
Rated Line Pull



Features and Benefits

- Less weight
 - 150 lbs lighter than the competition
- Fast line speed
 - Up to 46 ft/min under full load
- Compact design
 - Optimizes space usage
- Negative draft clutch design
 - Ensures positive hold on load
- Internal air-shift free spool
 - Enables remote operations
- Low temperature shifting (Down to -40 F)
 - Allows for extreme cold weather operation
- High-efficiency gear set
 - Optimizes performance
- Pneumatic variable-pressure tensioner
 - Increases cable life and prevents bird-nesting
 - Reconfigurable on-the-fly to four positions
- Two speed motor (standard)
 - Single speed motor (optional)
- 12V 2-speed shifting
 - Reliable control signal
- Bi-directional winch
 - Flexibility for over or under winding

HDP 35 Specifications

Rated Line Pull	35,000 lb (15,909 kg)
Weight	504 lb (229 kg)
Gear Reduction	33.16:1

HDP 35 Standard Drum						
Layer of Cable		1	2	3	4	5
Rated Line Pull per Layer*	lb	35,000	28,600	24,200	21,000	18,500
	kg	15,870	12,970	10,970	9,520	8,390
Cable Capacity*	ft	25	65	105	155	210
	m	7	19	32	47	64
Line Speed – Low (at 25 GPM)*	FPM	23	28	33	38	43
	(MPM)	7	8	10	11	13
Line Speed – High (at 25 GPM)*	FPM	46	56	66	76	86
	(MPM)	14	16	20	23	26

HDP 35 "Y" Drum							
Layer of Cable		1	2	3	4	5	6
Rated Line Pull per Layer*	lb	35,000	28,600	24,200	21,000	18,500	16,500
	kg	15,870	12,970	10,970	9,520	8,390	7,484
Cable Capacity*	ft	20	45	75	110	155	200
	m	6	13	22	33	47	60
Line Speed – Low (at 25 GPM)*	FPM	23	28	33	38	43	49
	(MPM)	7	8	10	11	13	14
Line Speed – High (at 25 GPM)*	FPM	46	56	66	76	86	98
	(MPM)	14	16	20	23	26	29

*Specifications based on recommended wire rope of .75 inch dia. EIPS cable and 11.9 cu. in./rev. motor at 2725 psi working pressure.

*Directional control valve: 3-position, 4-way motor spool.

*Winch meets SAE J707

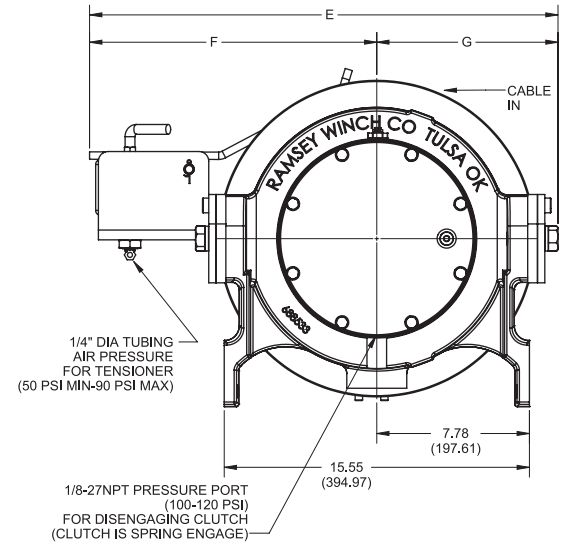
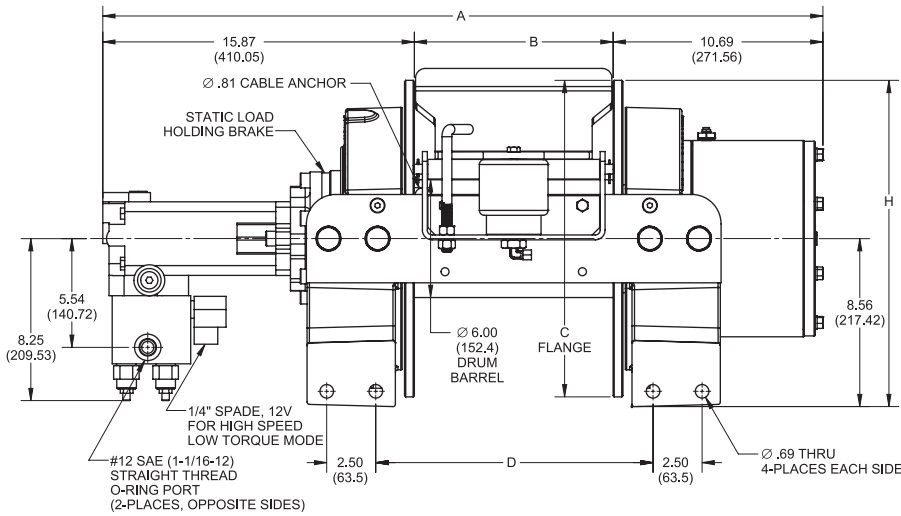
Ramsey Winch® is a brand of Ramsey Industries, Inc. Engineered to be the best, Ramsey Winch is committed to the ongoing improvement of its products. Ramsey Winch reserves the right to make changes to our products without notice.

4707 N. Mingo Road, Tulsa, OK 74117 | Phone: 1-800-777-2760

ramsey.com

HD-P 35 Heavy Duty Planetary

Rated Line Pull **35,000 lb**



HDP 35 Winch Dimensions								
Winch Model	A	B	C	D	E	F	G	H
	inches mm	inches mm	inches mm	inches mm	inches mm	inches mm	inches mm	inches mm
Standard Drum	40.84 1037.33	13.96 354.58	14.88 377.95	18.00 457.20	22.94 582.67	14.37 364.99	8.56 217.42	16.00 406.40
"Y" Drum	36.96 937.78	10.13 257.18	16.13 409.70	14.20 360.55	24.11 612.34	14.87 377.70	9.23 234.53	16.62 422.21

Performance with 11.9/5.95 in³ 2-Speed Hydraulic Motor

