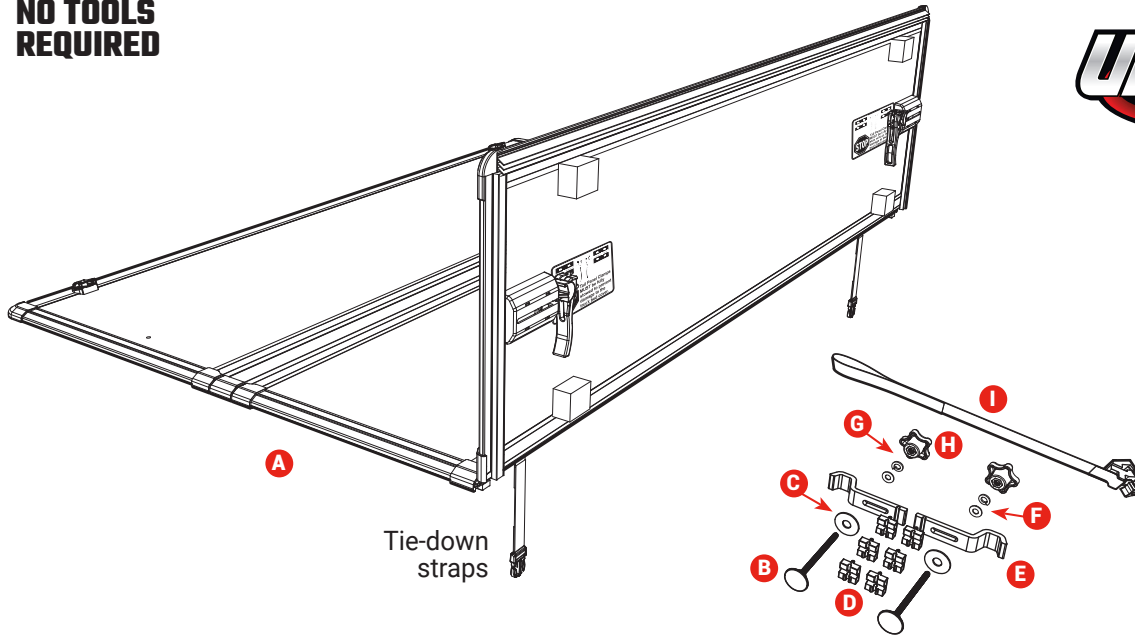


Any damaged or missing parts?

Parts will be shipped to you directly.

Call 866-900-8800 Mon - Fri 8:00 am - 5:00 pm CST
or email info@undercoverinfo.com

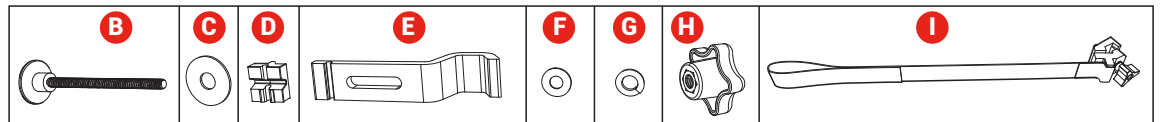
**NO TOOLS
REQUIRED**



**PARTS INCLUDED
IN YOUR KIT**

- A** Hard fold cover
- B** 2x Bolts
- C** 2x Rubber washers
- D** 6x Risers
- E** 2x Cab clamps
- F** 2x Steel washers
- G** 2x Split washers
- H** 2x Lock knobs
- I** 2x Tethers

NOTE: It is important that all areas where the bed cover mounts are clean and free of debris prior to installing.



NOTE: Below is a list of supplemental installation kits needed for specific vehicle applications. Please follow the appropriate steps of this install sheet for your vehicle.

STANDARD INSTALL - NO KIT REQUIRED

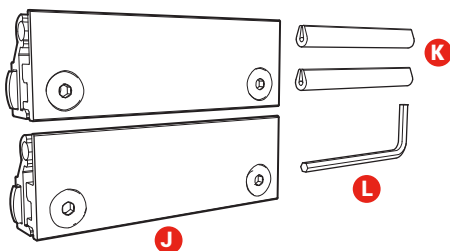
- 1999-2021 Chevy/GMC Silverado/Sierra 1500 & HD

**PARTS INCLUDED IN
YOUR HARDWARE KIT**

- J** 2x Bed flange extender clamps
- K** 2x Bed flange edge spacers
- L** 1x Key

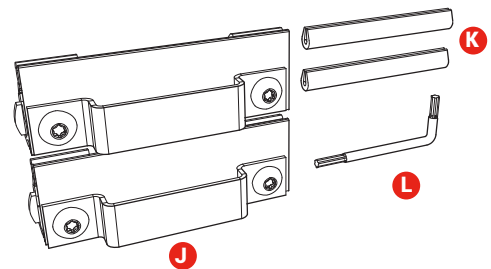
BED FLANGE EXTENDER INSTALL KIT

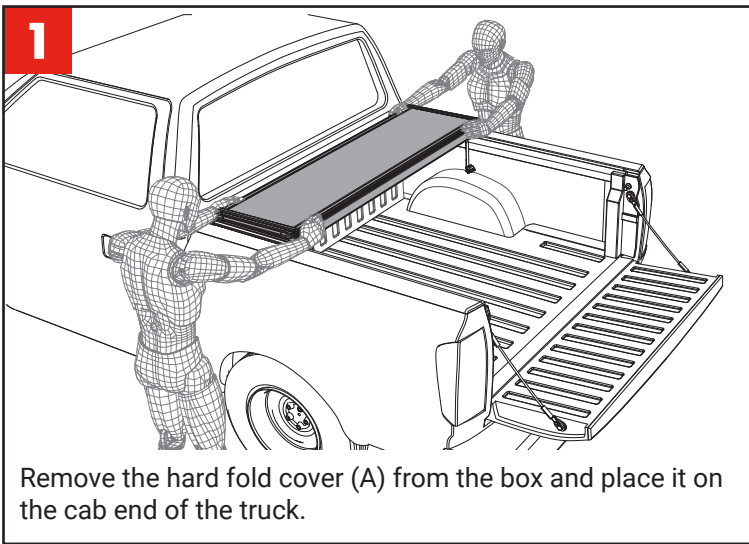
- 2004-2021 F-150, 2017-2021 Ford Super Duty
- 2002-2021 Ram, with or without Multifunction tailgate
- 2007-2021 Toyota Tundra without Cargo Mgmt. System



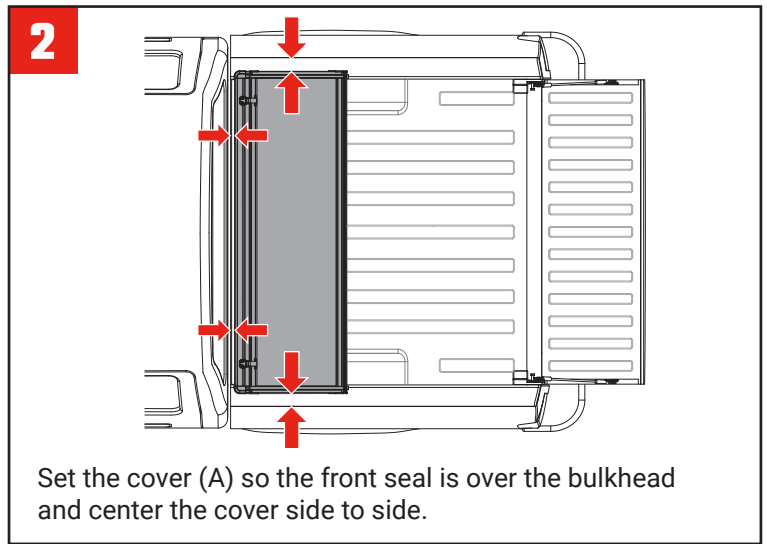
BED FLANGE EXTENDER INSTALL KIT

- 2020-2021 Jeep Gladiator

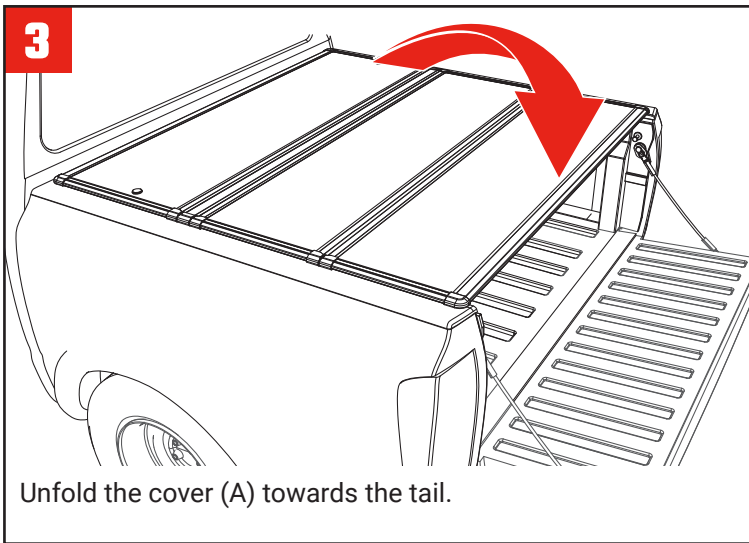




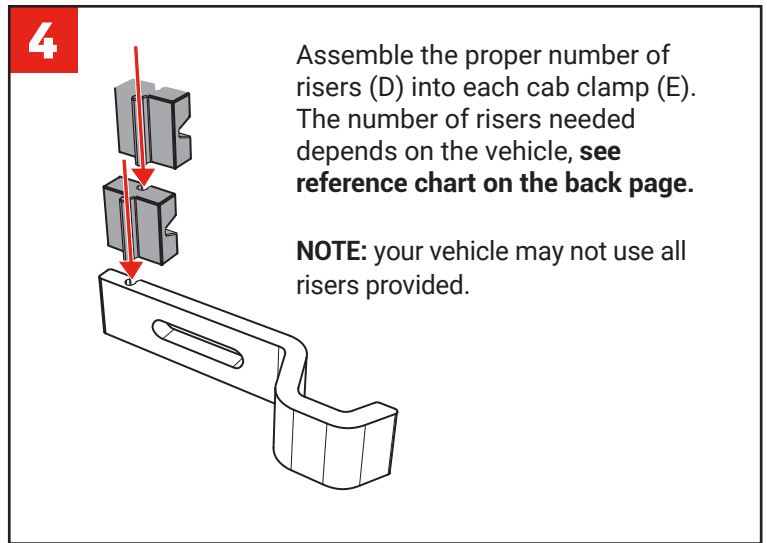
1 Remove the hard fold cover (A) from the box and place it on the cab end of the truck.



2 Set the cover (A) so the front seal is over the bulkhead and center the cover side to side.



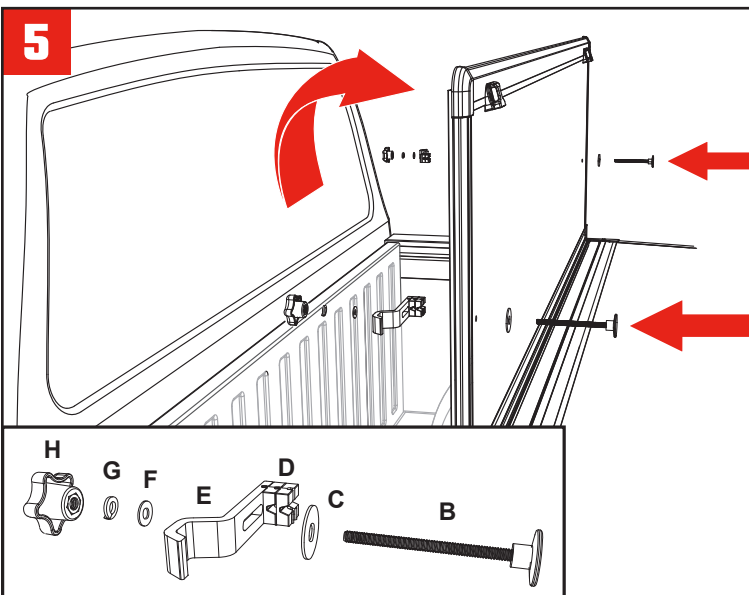
3 Unfold the cover (A) towards the tail.



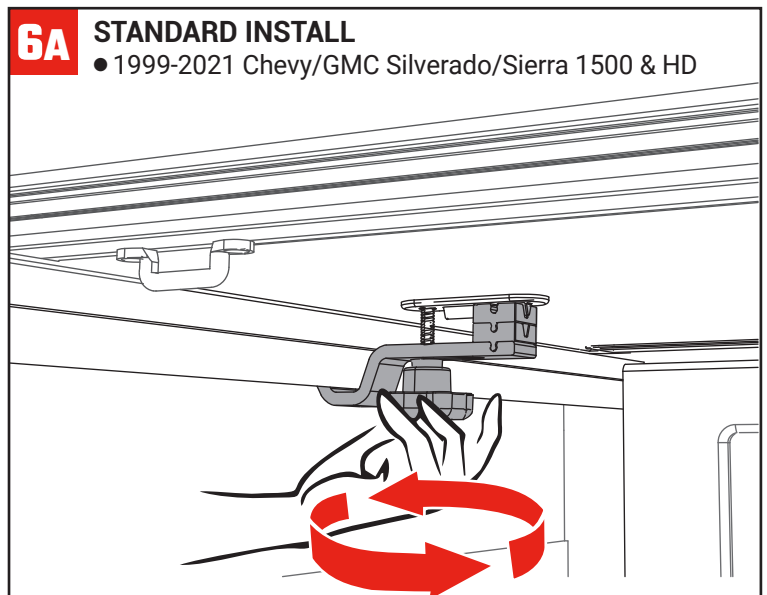
4

Assemble the proper number of risers (D) into each cab clamp (E). The number of risers needed depends on the vehicle, **see reference chart on the back page.**

NOTE: your vehicle may not use all risers provided.



5 Fold back the cab panel and assemble the cab clamp (E) through the lifted panel. Start with the bolt (B) and rubber washer (C) through the top side of the panel. Followed by the cab clamp (E) with risers, then the steel washer (F), split washer (G), and finally the lock knob (H) through the underside. Repeat on the opposite side of the truck bed.



6A

STANDARD INSTALL

• 1999-2021 Chevy/GMC Silverado/Sierra 1500 & HD

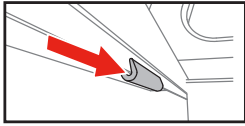
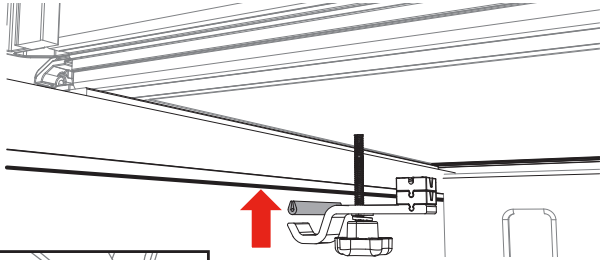
Fold the cover open to access the cab clamps. Make sure that the cab clamp is under the metal bed flange of the truck bed rail. Hand-tighten the knob. Repeat on the opposite side of the truck bed.

Snug firmly but do NOT overtighten.



6B BED FLANGE EXTENDER INSTALL KIT

- 2004-2021 F-150, 2017-2021 Ford Super Duty
- 2002-2021 Ram, with or without Multifunction tailgate
- 2007-2021 Toyota Tundra without Cargo Mgnt. System



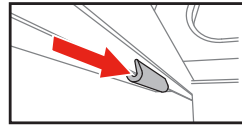
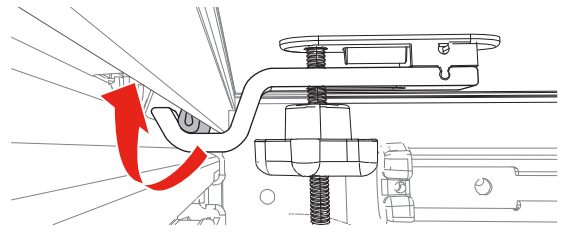
NOTE: the spacer has adhesive inside and will adhere to the truck bed metal edge when placed.

Fold the cover open to access the cab clamps. Install the bed flange edge spacer (K) as shown. The spacer will slide onto the metal edge of the truck bed rail and align with the cover cab clamp. Hand-tighten the knob. Repeat on the opposite side of the truck bed.

Snug firmly but do NOT overtighten.

6C BED FLANGE EXTENDER INSTALL KIT

- 2020-2021 Jeep Gladiator

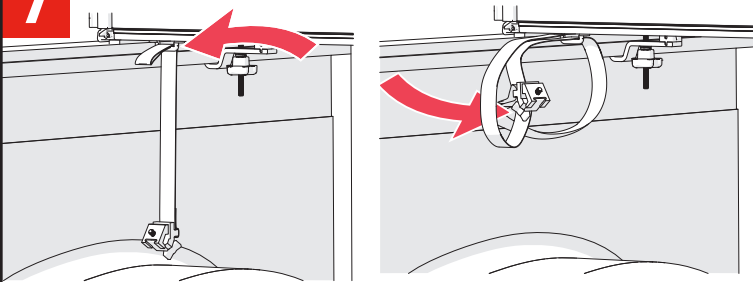


NOTE: the spacer has adhesive inside and will adhere to the truck bed metal edge when placed.

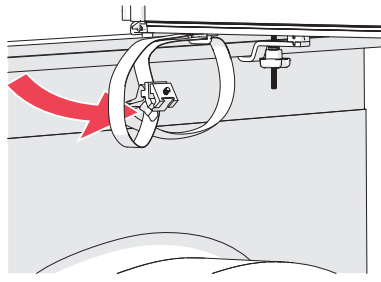
Fold the cover open to access the cab clamps. Install the bed flange edge spacer (K) as shown. The spacer will slide onto the metal edge of the truck bed rail and align with the cover cab clamp. **Note that the metal flange is behind the plastic bed cap.** Hand-tighten the knob. Repeat for the opposite side of the truck bed.

Snug firmly but do NOT overtighten.

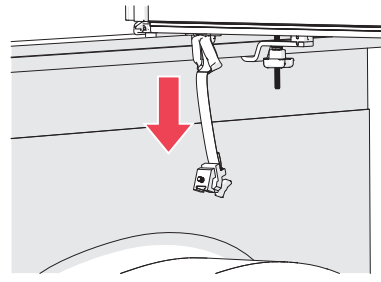
7



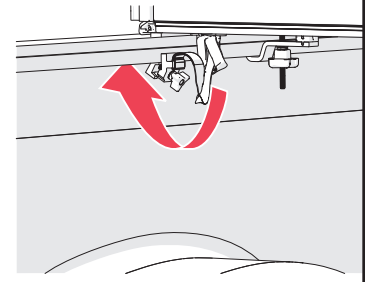
Attach the tether (I) by threading the loop end of the tether through the cleat under the cab panel.



Then thread the clamp end of the tether through the loop end of the tether.



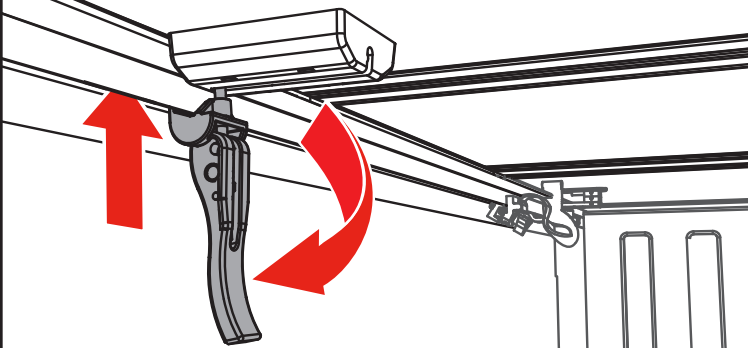
Pull the clamp down to tighten the knot. Make sure that the tether strap is tight around the cleat.



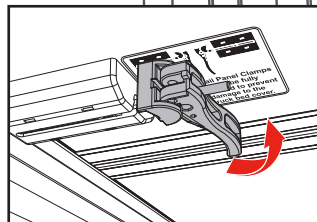
Slide the tether clamp onto the metal end of the truck bed flange and tighten the knob.

8A STANDARD INSTALL

- 1999-2021 Chevy/GMC Silverado/Sierra 1500 & HD

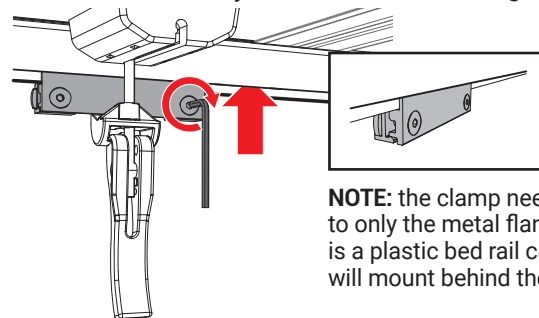


Fold the cover closed. Swing the clamp down so that the jaw is under the metal edge of the truck bed rail. Push the clamp handle toward the bed wall to lock it in place. Repeat on the opposite side of the bed.



8B BED FLANGE EXTENDER INSTALL KIT

- 2004-2021 F-150, 2017-2021 Ford Super Duty
- 2002-2021 Ram, with or without Multifunction tailgate
- 2007-2021 Toyota Tundra without Cargo Mgnt. System

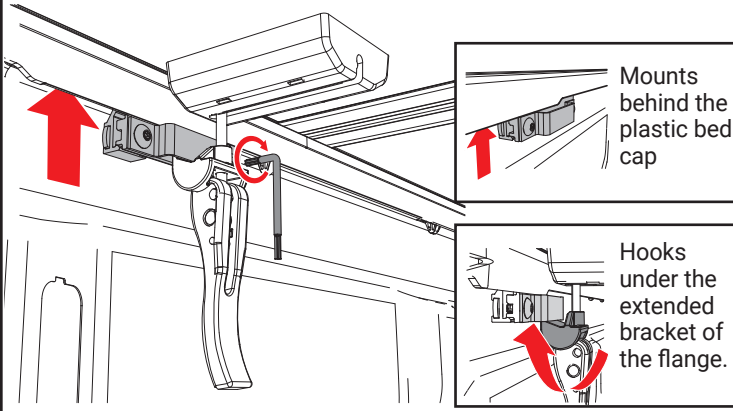


NOTE: the clamp needs to attach to only the metal flange. If there is a plastic bed rail cap, the clamp will mount behind the cap.

Fold the cover closed. Install the bed flange extender clamp (J) as shown. The clamp will slide onto the metal edge of the truck bed rail and align with the rear cover clamp. With the clamp positioned, hand-tighten the screws with the 5/32" hex key wrench (L). Swing the clamp down so that the jaw is under the edge of the bed flange extender. Push the clamp handle toward the bed wall to lock it in place. Repeat on the opposite side of the bed.

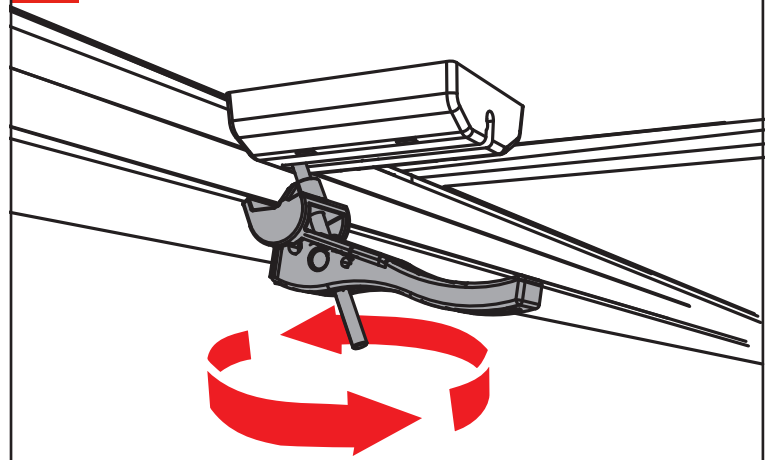
8c BED FLANGE EXTENDER INSTALL KIT

• 2020-2021 Jeep Gladiator



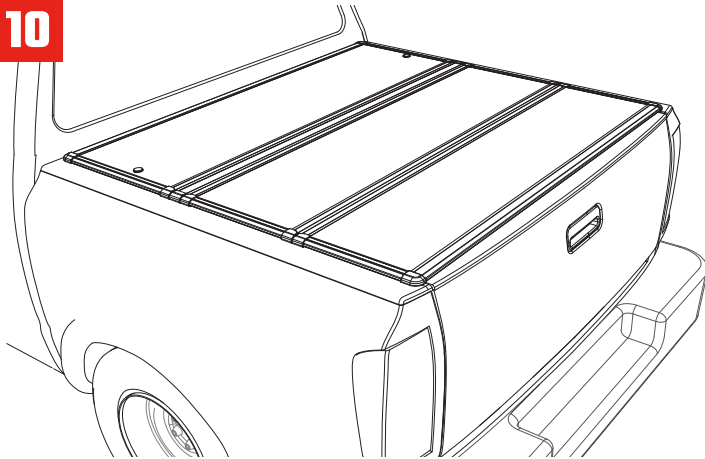
Fold the cover closed. Install the bed flange extender clamp (J) as shown. The clamp will slide onto the metal edge of the truck bed rail, it will be behind the plastic bed cap, align the clamp with the rear cover clamp. With the clamp positioned, hand-tighten the screws with the T27 Torx key (L). Swing the clamp down so that the jaw hooks under the extended bracket of the flange. Push the clamp handle toward the bed wall to lock it in place. Repeat on the opposite side of the bed.

9



Clamps may need to be adjusted to accommodate different bed heights. Clamp height can be adjusted by turning the clamps clockwise or counter-clockwise to move the clamp higher or lower as needed.

10



Close tailgate to check how the cover fits and adjust as needed. To make changes, loosen the cab clamps (E) and shift the cover into the appropriate spot, then retighten the cab clamps.

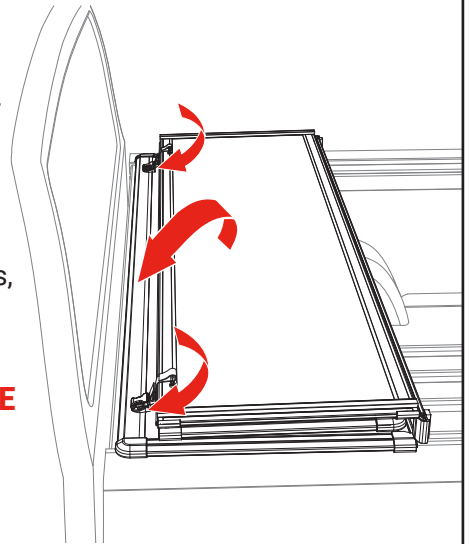
Snug firmly but do NOT overtighten.

TO DRIVE WITH THE COVER OPEN

Use the tie-down straps. Fold the cover forward and insert the clips into the cover clasps. Ensure that BOTH straps are fully inserted into the clasps, pull on the end of the strap to tighten.

TO DRIVE WITH THE COVER CLOSED

All panels must be closed and FULLY LATCHED ON BOTH SIDES of the cover.



WARRANTY

The truck bed cover carries a limited warranty for three (3) years from the original date of purchase, subject to the terms below.

WARRANTY COVERAGE

This truck bed cover is warranted against defects in materials or workmanship as follows. This warranty is void if the product has been damaged in an accident, or due to neglect, unforeseeable use, improper installation, improper servicing, or other cause not arising out of defects in material or workmanship.

WARRANTY IS NOT TRANSFERABLE

The warranty is to the initial consumer purchasing the truck bed cover and it is not transferrable to a subsequent end user. Proof of purchase may be required to enforce these warranty rights.

WARRANTY CONDITIONS

Failure to follow these care and use instructions will void the warranty

- Clean with mild automotive soap and water only.
- Cover must be secured at all points when vehicle is in motion. When not fully extended, cover must be completely folded up and secured at the cab with the provided tie-down straps and tethers attached. Do NOT drive with the bed cover in a partially open position.
- Check all clamps and retention mechanisms for tightness after a week of driving following installation (or re-installation) of the cover and periodically thereafter.
- Before opening, the cover must be free of all foreign materials including snow and ice.
- Do NOT tow your vehicle from the rear with the cover on your vehicle. If towing from the rear is required, the cover MUST be removed from the vehicle and properly stored.

WARRANTY PERFORMANCE

If all warranty conditions are met, a defective truck bed cover or hardware component will either be repaired or replaced (at our option). We reserve the right, for any warranty, to substitute a newer model or bed cover having similar form and function, to offer a warranty discount on an entire replacement system, and/or provide remedies other than those mentioned in this document.

WARRANTY RETURN

A Return Material Authorization number must be obtained from our Customer Service Department prior to returning any product. We may require the original item to be returned postage prepaid for final determination. Shipping charges will apply for any repair or replacement. Other than postage or shipping charges, no charge will be made for repair or replacement under this warranty.

This warranty gives you specific legal rights. As a consumer, you may also have additional rights and remedies under the laws of your state.



Remove any snow or foreign matter before folding the bed cover.



Do NOT allow the vehicle to be towed backwards without first removing the cover from the vehicle.



CARE AND MAINTENANCE

This tonneau is made from durable materials and requires simple care to ensure a long life of performing well and looking great.

CLEANING THE TOP (WASHING)

Standard automotive soap and water with a soft sponge or cloth is recommended for cleaning. Shabby dry to keep the finish polished and brilliant. Wax is NOT recommended as it tends to fill in cracks and crevices, which may affect the panel finish. Do NOT use any harsh cleaners or abrasives.

MAINTENANCE

It is recommended that you periodically check your cover is securely attached to your truck bed. Inspect the clamps and tethers to ensure they were properly installed and have not come loose or knocked out of adjustment during operation. Covers that are used with high frequency or that are subject to the vibrations and impact from rough roadways can cause the cover to require adjustment.

RISER CHART - FROM STEP 4

The number of risers needed depends on the vehicle, see the chart below for reference. *Please note your vehicle may not use all the risers provided.*

MAKE/MODEL	YEAR	QUANTITY OF RISERS PER SIDE
CHEVY		
Silverado/ Sierra 5.8' Bed	99-13	2
Silverado/ Sierra 6.5' Bed	99-13	2
Silverado / Sierra 5.8 Bed	14-19	3
Silverado / Sierra 6.5 Bed	14-19	3
Silverado / Sierra 5.8 Bed	19-21	3
Silverado / Sierra 6.5 Bed	19-21	3
Silverado / Sierra HD 6.9 Bed	20-21	3
FORD		
F-150 5.5 Bed	04-14	3
F-150 6.5 Bed	04-14	3
F-150 5.5 Bed	15-20	2
F-150 6.5 Bed	15-20	2
F-150 5.5 Bed	2021	2
F-150 6.5 Bed	2021	2
Super Duty 6.9 Bed	08-16	3
Super Duty 6.9 Bed	17-21	2
JEEP		
Gladiator	20-21	1
NISSAN		
Frontier 5 ft Bed W/ Factory Cargo Management System	05-21	3
Frontier 6 ft Bed W/ Factory Cargo Management System	05-21	3

MAKE/MODEL	YEAR	QUANTITY OF RISERS PER SIDE
RAM		
Ram 5.7 Bed (Classic for 19-21 only. Does not fit RamBox)	09-21	1
Ram 6.4 Bed (Classic for 19-21 only. Does not fit RamBox)	02-21	2
Ram New Body 1500 Crew Cab 5.7 ft Bed (Does not fit RamBox) Fits W/ Multifunction Tailgate	19-21	2
Ram New Body Quad/Mega Cab 6.4 ft Bed (Does not fit RamBox)	19-21	2
TOYOTA		
Tundra 5.5 Bed W/O Factory Toyota Cargo Mgmt System	07-21	1
Tundra 5.5 Bed W/ Factory Toyota Cargo Mgmt System	07-21	3
Tundra 6.5 Bed W/O Factory Toyota Cargo Mgmt System	07-21	1
Tundra 6.5 Bed W/ Factory Toyota Cargo Mgmt System	07-21	3
Tacoma Double Cab 5 ft Bed	16-21	3
Tacoma Reg/ Ext Cab 6 ft Bed	16-21	3

