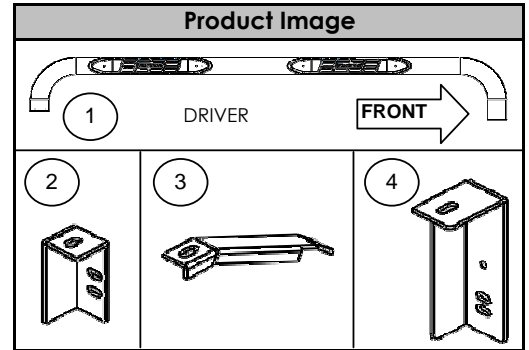


Parts List				
Item	Qty.	Code	Description	Max. Torque
1	1 Set	372760AA-0BA	Side bars.	-
1		BRK-37276	BRACKETS KIT INCLUDES:	-
2	2 Piece	377421	Front bracket.	-
3	2 Piece	370772AA	Middle bracket.	-
4	2 Piece	371762AA	Rear bracket.	-
1		KTE-37276	HARDWARE KIT INCLUDES:	-
5	4 Piece	-	1/2" Flat washers.	-
6	4 Piece	-	1/2" Lock washers.	-
7	4 Piece	-	1/2 x 2" Hex head bolt.	75 Lb.Ft
8	2 Piece	-	3/8" Flat washers.	-
9	2 Piece	-	3/8" Lock washers.	-
11	2 Piece	-	3/8 x 1 1/4" Hex head bolt.	30 Lb.Ft

Required Tools (Not included)	
Qty.	Description
1	3/4" Socket
1	9/16" Socket
1	21mm Socket
1	Ratchet
1	Extension to ratchet



Instructions

- Before beginning the installation, please read all directions carefully and verify that all necessary hardware is accounted for. If any parts are missing, stop the installation and contact your distributor immediately.
- To maintain and care this product, keep it clean and do not use abrasive cleaners or polish waxes. We recommend to use only automotive wax such as pure carnauba to avoid scratches and rust.
- The approximate installation time is 50 min.
- Remove the original body mount bolts (3 per side) and keep the bolts washers. **WARNING! Do not use an impact wrench to UN-tighten the body mounting bolts! Always loosen them by hand.**
- Attach the front, center, and rear brackets to the body mounts using the factory bolts and washers.
Note: Place the factory washer on top of the mounting brackets.
- Attach the driver side bar to the front and rear brackets using (1) 1/2" x 2" hex bolt, (1) 1/2" flat washer and (1) 1/2" lock washer for each bracket, and to the center bracket using (1) 3/8" x 1 1/4" hex bolt, (1) 3/8" flat washer and (1) 3/8" lock washer. Leave the bolts loose for final adjustment.
See illustration 1. Note: The step pad closest to the side bar bend is rear side.
- Align the side step with the vehicle and tighten all bracket and side step nuts and bolts. Repeat the above steps to install the passenger side brackets and side bar.
- Remember to re-tighten the bolts periodically.

