

INSTALLATION INSTRUCTIONS

PRO TRAXX 4 OVAL STEP BAR



APPLICATION:

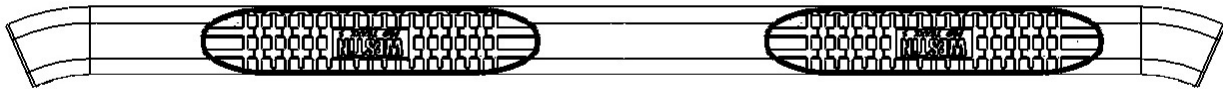
2019 Ram 1500 Crew Cab

PART NUMBER:

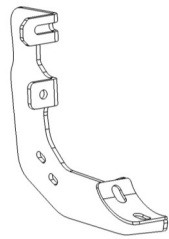
21-24080, 21-24085, 21-24090, 21-24095

CONTENT			
ITEM	QUANTITY	DESCRIPTION	TOOLS NEEDED
1,2	2	STEP BAR ASSEMBLY (1 DRIVER, 1 PASSENGER)	10MM SOCKET
3	2	MOUNTING BRACKET A	10MM WRENCH
4	1	MOUNTING BRACKET B	13MM SOCKET
5	6	MOUNTING BRACKET C	RATCHET
6	3	MOUNTING BRACKET D	TORQUE WRENCH
7	6	PLASTIC COVER BRACKET	
8	12	M10 BUTTON HEAD SCREW	
9	12	M10 INTERNAL TOOTHED LOCK WASHER	
10	12	M10 FLAT WASHER	
11	24	M8 HEX NUT	
12	24	M8 FLAT WASHER	
13	24	M8 SPLIT LOCK WASHER	
14	6	M8 ROUND HEAD SQUARE NECK BOLT	
15	12	M6 HEX HEAD CAP SCREW	
16	24	M6 FLAT WASHER	
17	12	M6 NYLON NUT	
18	18	PLASTIC RETAINER SQUARE	
19	1	HEX KEY TOOL	

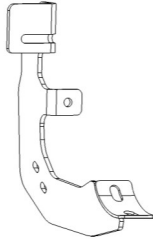
ANTI-SEIZE LUBRICANT MUST BE USED ON ALL STAINLESS STEEL FASTENERS TO PREVENT THREAD DAMAGE AND GALLING



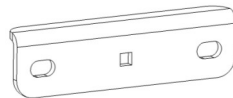
ITEM 1



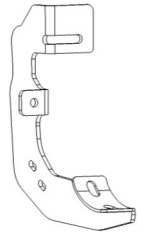
ITEM 3



ITEM 4



ITEM 5

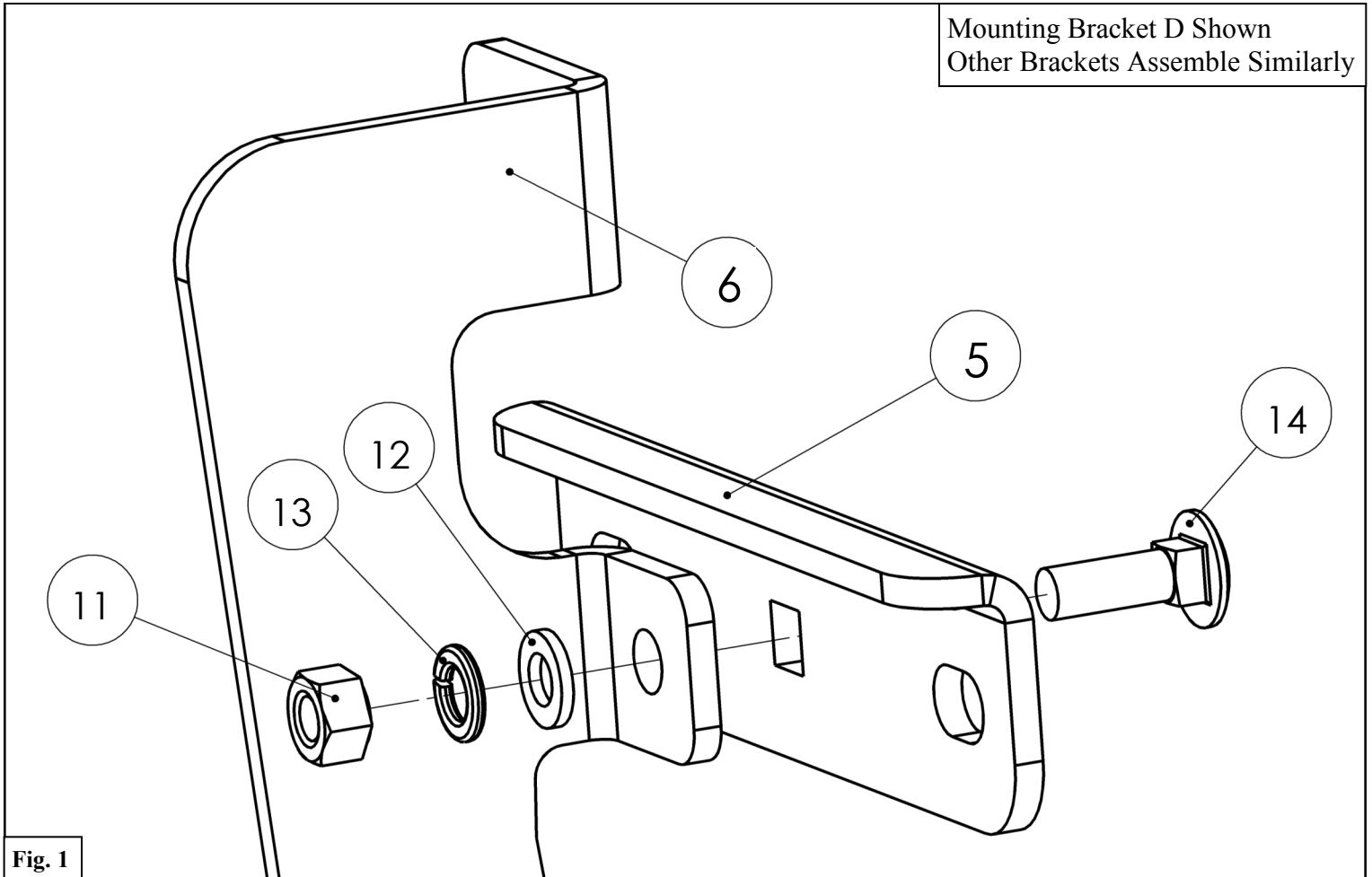


ITEM 6

PROCEDURE

1. Remove contents from box, verify if all parts listed are present and free from damage.
Carefully read and understand all instructions before attempting installation.
Failure to identify damage before installation could lead to a rejection of any claim.

2. Preassemble the Mounting Brackets (3-6). Do not tighten hardware at this time. See **Figure 1**.



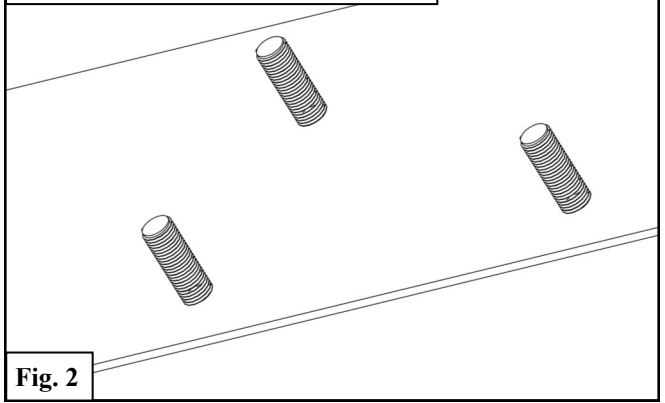
- Starting on the passenger side of the vehicle, locate the 3 mounting locations on the rocker panel.

Note A: The rear mounting location is shown in **Figure 2**. Other mounting locations are similar.

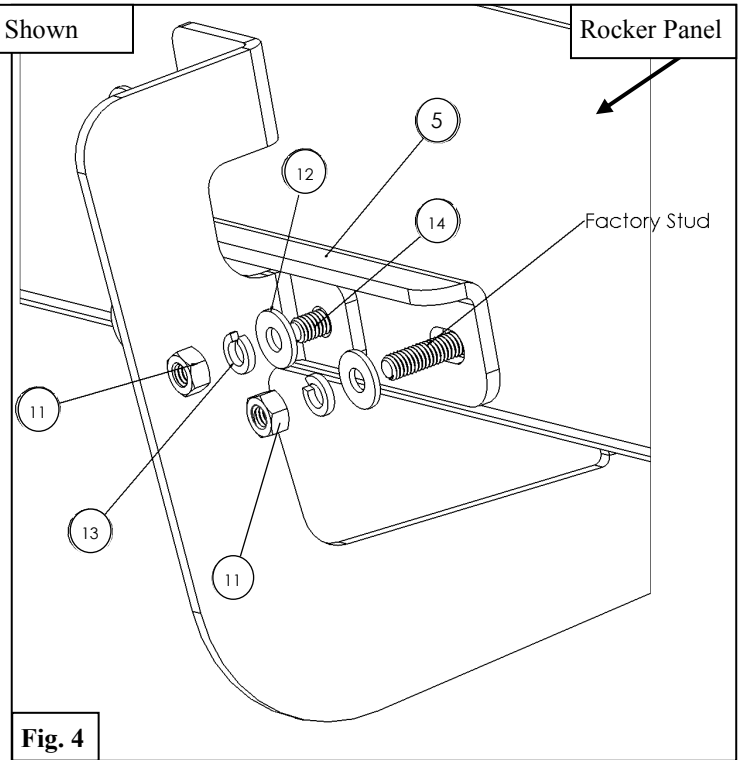
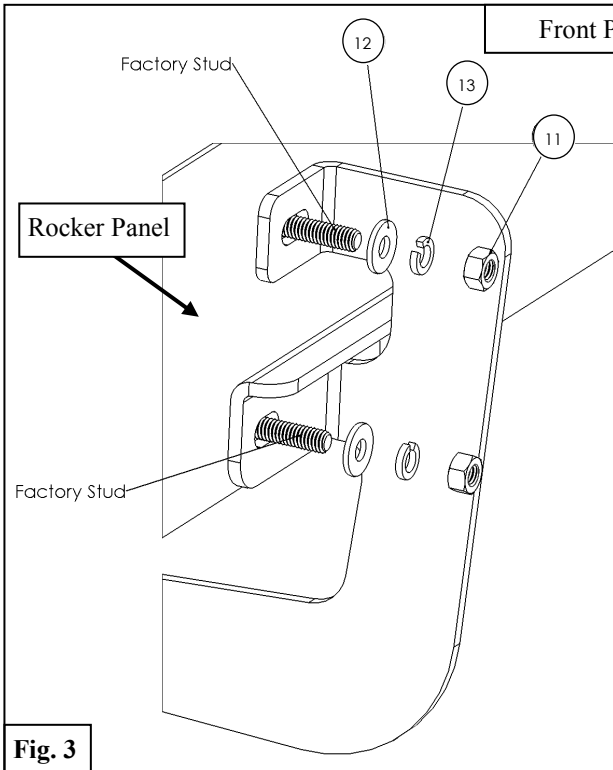
Note B: The lower two studs on the rocker panel have a thick coat of paint on them. When installing the M8 hex nuts, apply extra pressure to start. If necessary, back M8 hex nuts off the studs to clear build up.

See **Figure 2**.

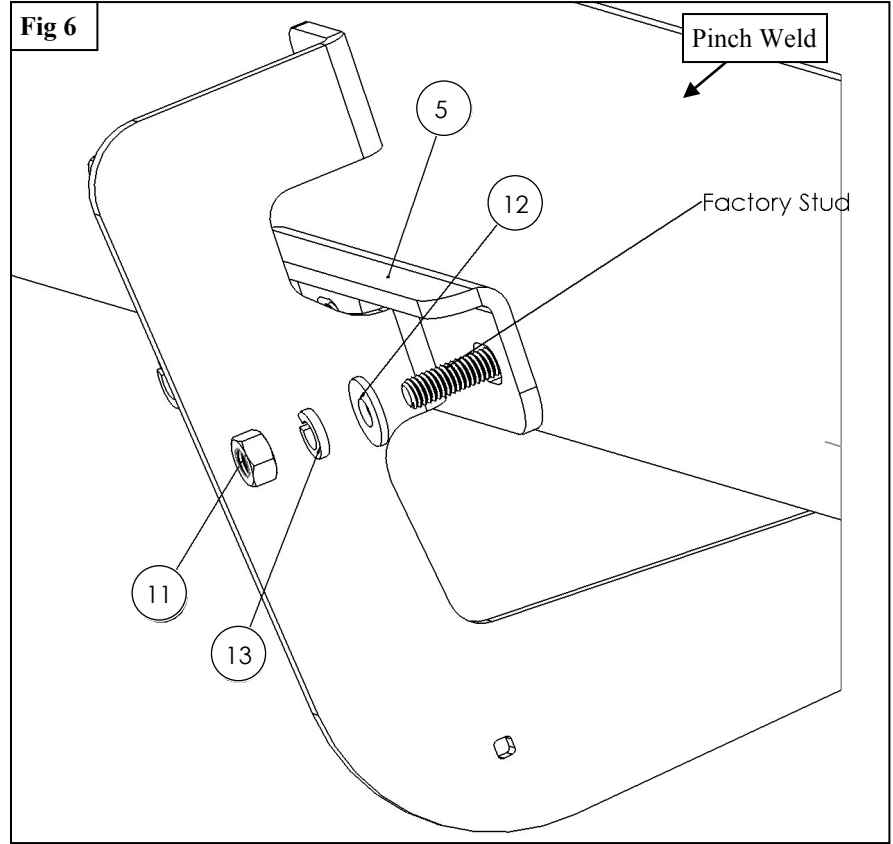
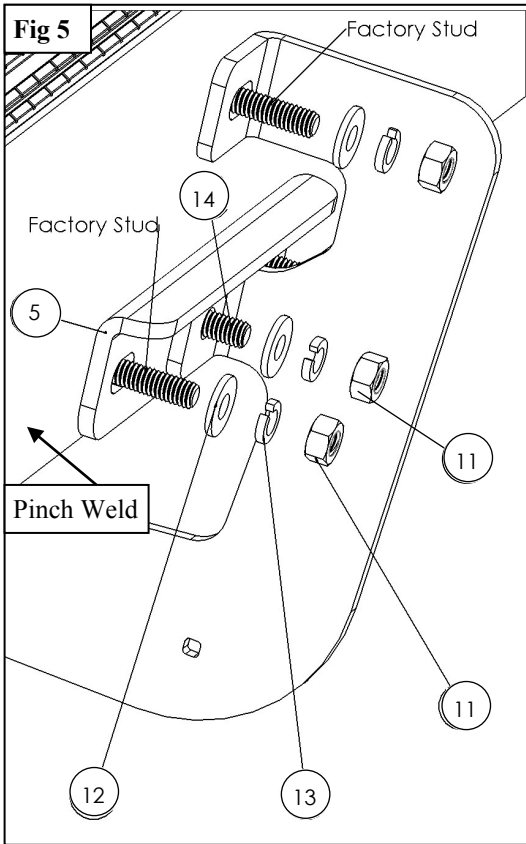
Rear Mounting Location Shown
Other Mounting Locations are Similar



- At the rear mounting location, loosely install Mounting Bracket D (6) with preassembled Mounting Bracket C (5) using the supplied M8 hardware. See **Figures 3 & 4**.



- At the center passenger mounting location, loosely install Mounting Bracket A (3) with preassembled Mounting Bracket C (5) using the supplied M8 hardware. See **Figures 5 & 6**.



- At the front passenger mounting location, loosely install Mounting Bracket B (4) with preassembled Mounting Bracket C (5). **Note:** Installation is similar to Mounting Bracket D.
- Repeat **Steps 4-7** on the driver side of the vehicle.

8. Secure the Plastic Cover Brackets (7) to the Mounting Brackets using the supplied M6 Hardware. See **Figure 7**
9. Fasten oval tube step bars respectively to either side using the M10 hardware provided with the step bars. See **Figure 8**.
10. Align and adjust the step bars as needed and fully tighten all hardware. Torque all M6 fasteners to 5-7 ft-lbs, all M8 fasteners to 15-18 ft-lbs, and all M10 fasteners to 30 ft-lbs.

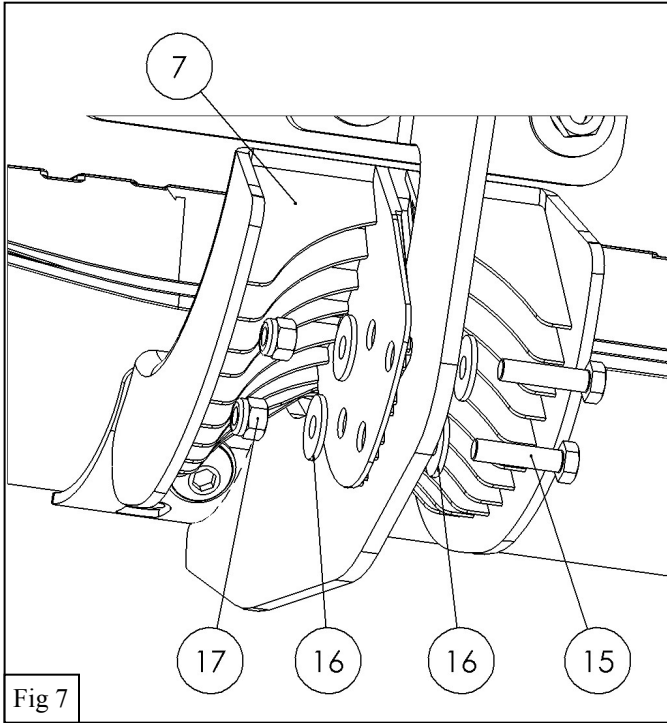


Fig 7

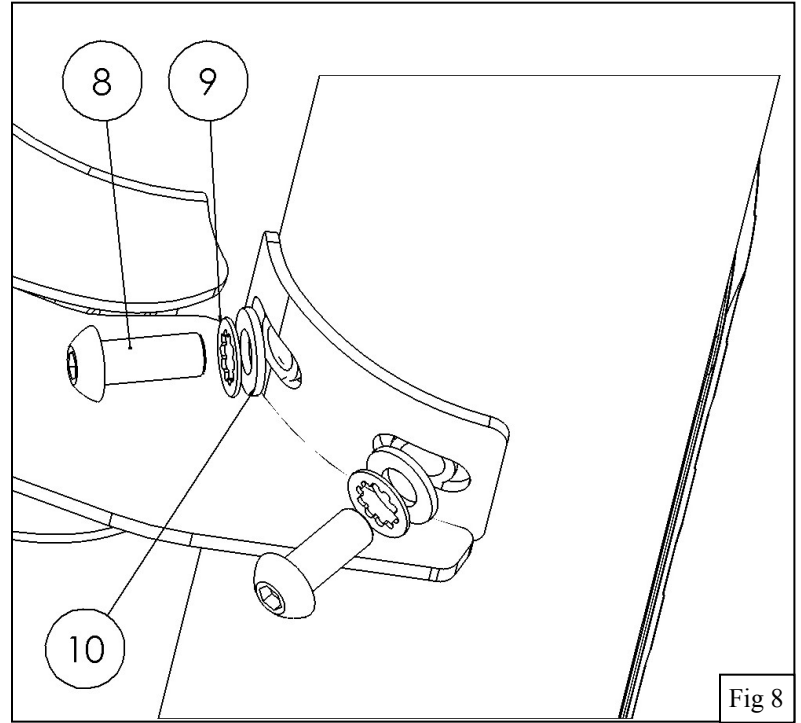


Fig 8

INSTALLATION COMPLETE



Westin Automotive Products, Inc.
320 W. Covina Blvd
San Dimas, Ca. 91773

Thank you for choosing Westin products
for additional installation assistance please call
Customer Service (800) 793-7846

www.westinautomotive.com



WARNING



Failure to follow these instructions could lead to death, personal injury, and / or property damage.

Failure to follow these instructions could lead to death, personal injury, and / or property damage.

FASTENERS:

All Westin supplied fasteners must be utilized and installed in accordance with the installation instructions and apply torque to the specifications as defined. **DOUBLE CHECK ALL FASTENERS BEFORE INITIAL USE, AND PERIODICALLY IN THE FUTURE TO ENSURE PROPER FUNCTION AND SAFETY.**

DRILLING:

Most Westin products do not require drilling for installation. If drilling is defined as required, use caution when drilling a vehicle. **FAILURE TO REVIEW AN AREA TO BE DRILLED MAY RESULT IN PERSONAL INJURY AND/OR INJURY TO OTHERS AS WELL AS VEHICLE DAMAGE.**

EYE PROTECTION:

ALWAYS WEAR SAFETY GLASSES OR GOGGLES DURING THE INSTALLATION PROCESS TO AVOID PERSONAL INJURY.

MAXIMUM TOWING/CARRYING CAPACITY:

The Westin Receiver Hitches will have a visible tow rating label affixed directly on the product. User should never exceed the vehicle manufacturers maximum tow and weight rating regardless of the capacity of the hitch. **FAILURE TO FOLLOW THESE GUIDELINES WILL VOID THE WESTIN WARRANTY AND MAY RESULT IN PERSONAL INJURY AND/OR INJURY TO OTHERS AS WELL AS VEHICLE DAMAGE.**



Westin Automotive Products, Inc.
320 W. Covina Blvd
San Dimas, Ca. 91773